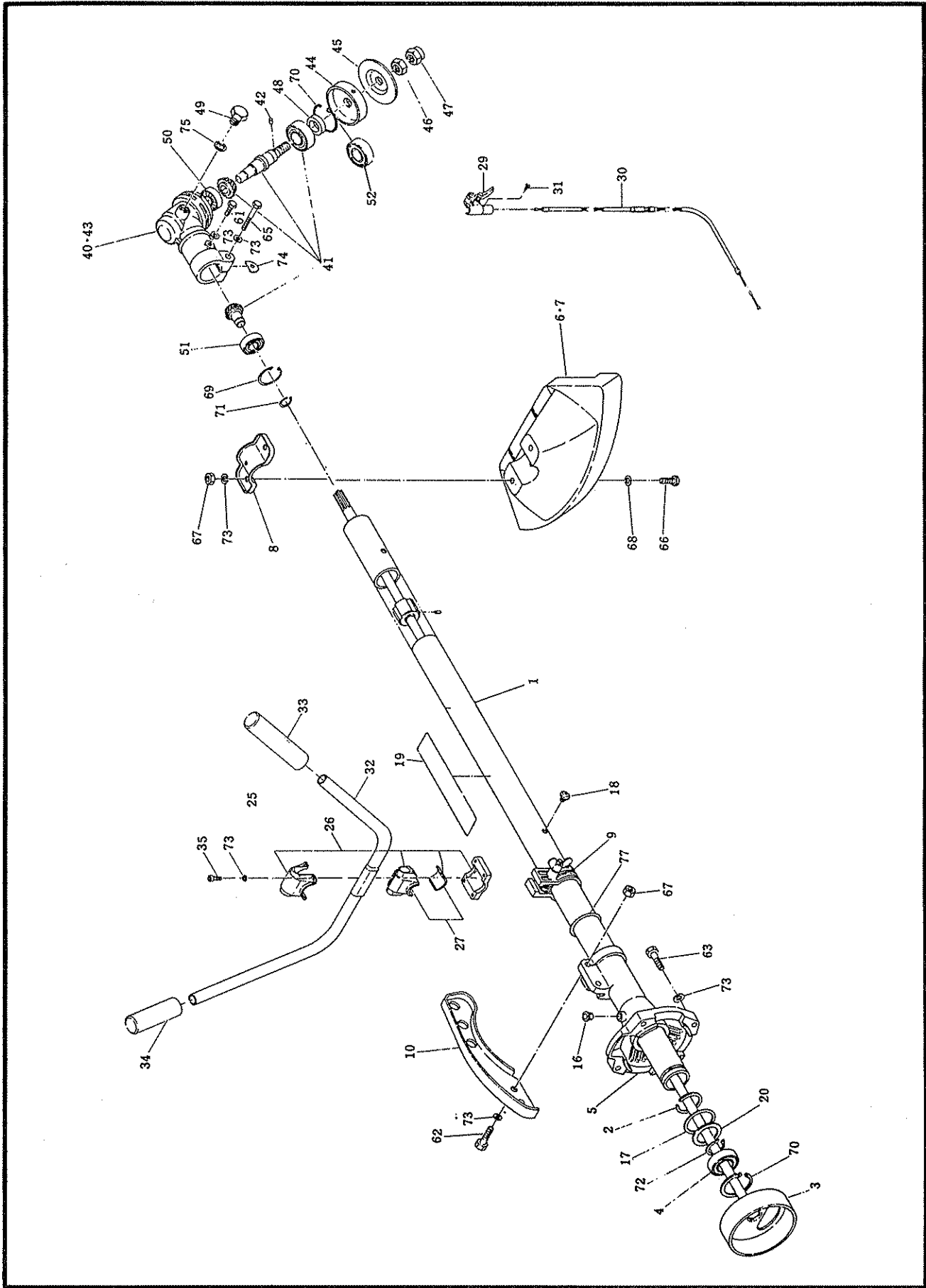




BRUSH CUTTER

Model NB50L

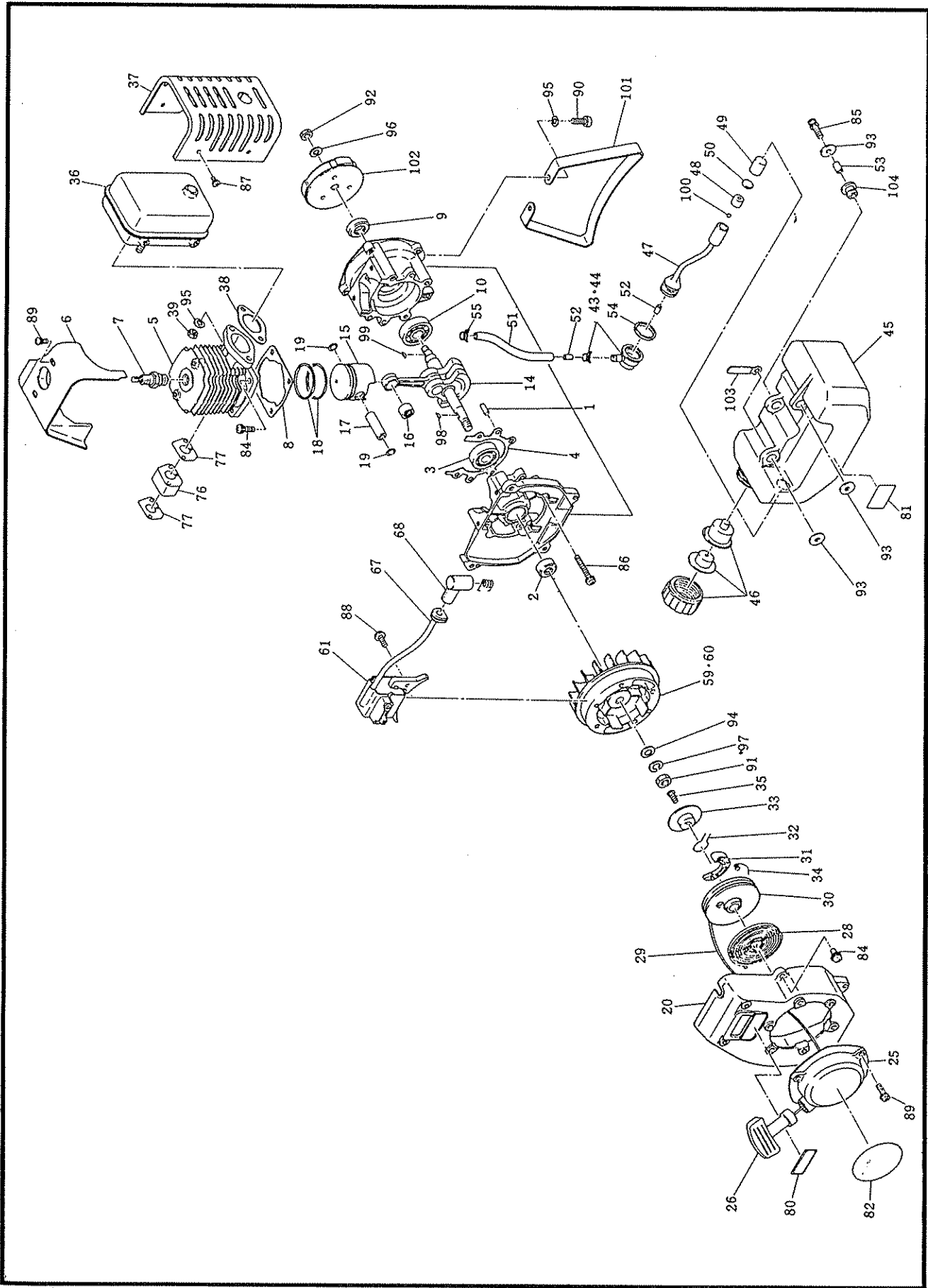
PARTS MANUAL



Machine Body

NB50L

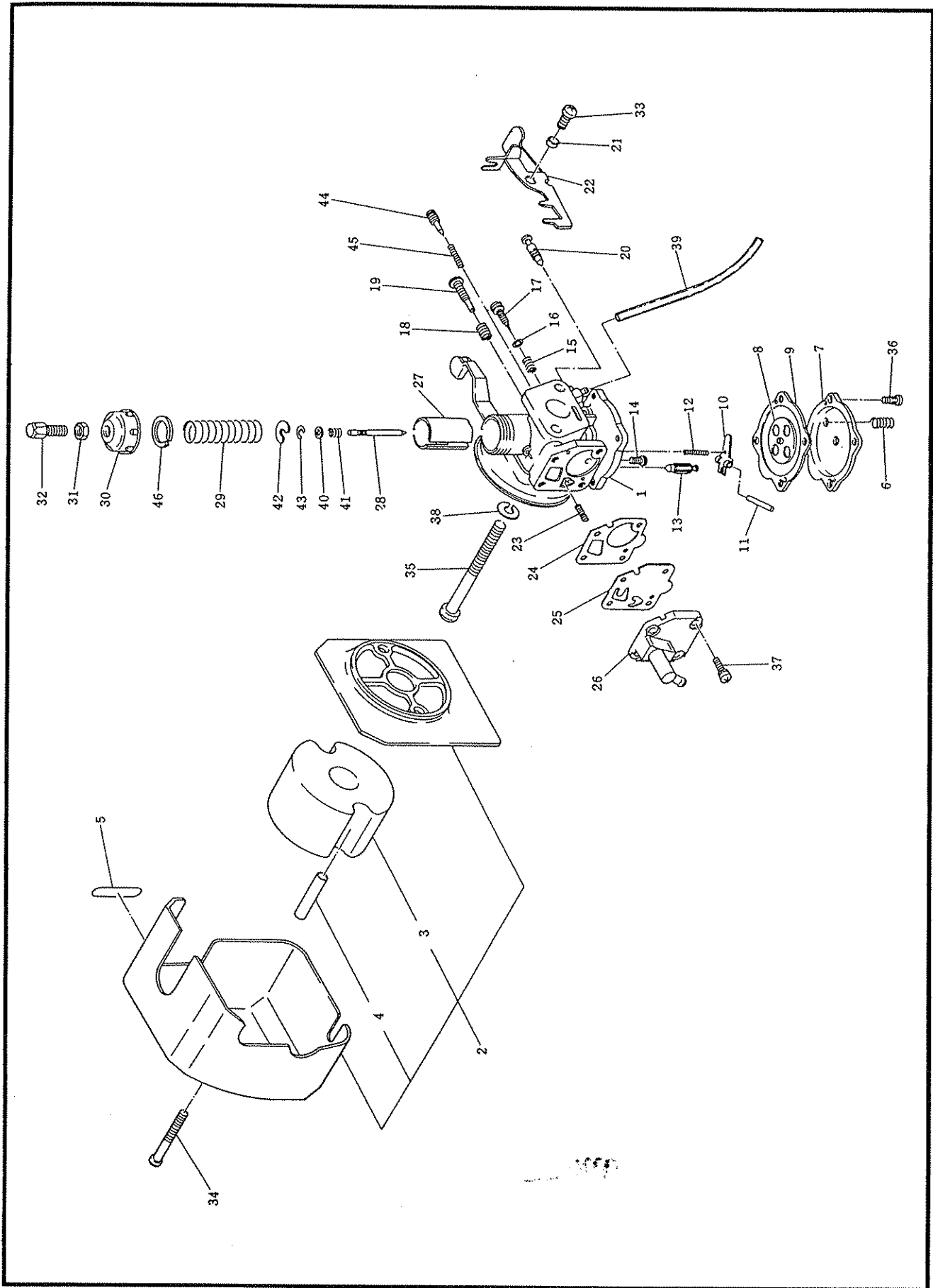
Ref. No.	Mfg.'s No.	Part Name	Our Part No.	Qty.	Ref. No.	Mfg.'s No.	Part Name	Our Part No.	Qty.
1	NB04CII-074/1C	Pipe case complete (incl. 2)	4171	1	61	00166 0612 0	Bolt M6×12	1388	2
2	NB03-121	Snap ring (outer)	1354	1	62	00166 0620 0	Bolt M6×20	1455	2
3	NB04L-0101	Long shaft assembly (incl. 4, 70, 72)	4172	1	63	00166 0625 0	Bolt M6×25	1390	4
4	0600 17985 0	Ball bearing	4000	1	65	00167 0635 0	Bolt M6×35	1392	1
5	NB03D-091/1A	Pipe case holder complete (incl. 77)	1358	1	66	00170 0625 0	Bolt (cross-recessed) M6×25	3024	2
6	NB03D-0501/1A	Safety cover unit (incl. 7, 8, 66-68, 73)	4002	1	67	00218 0600 0	Nut M6	1290	4
7	NB03D-5101/1	Safety cover	3002	1	68	00312 0600 0	Washer M6	1395	2
8	NB03D-5102	Safety cover fixture	3003	1	69	00314 2800 0	Snap ring (inner)	1396	1
9	NB03D-057B	Detent unit	1363	1	70	00314 3500 0	Snap ring (inner)	1397	2
10	NB03-109/2	Hanging metal	1364	1	71	00315 1200 0	Snap ring (outer)	1398	1
16	NB03-110	Oil cup	1365	1	72	00315 1700 0	Snap ring (outer)	1399	1
17	NB03-122	Washer	1448	1	73	00320 0600 0	Spring washer M6	1294	17
18	NB03D-133A	Blank plug	1449	1	74	00371 0800 0	Gasket (fiber) M8	4190	1
19	NB03D-941A	Label (caution)	4005	1	75	00371 1000 0	Gasket (fiber) M10	1401	1
20	0230 25999 0	Spacer	1451	0-1	77	00626 3028 0	O-ring	1404	1
25	NB50-0401B	Vibration-proof handle unit Type C (incl. 26-35, 73)	4173	1		NB50-5110	Stand	4191	1
26	NB04G-087/1	Handle fixture complete (incl. 27, 35)	4174	1					
27	NB04G-028/1	Handle cushion rubber ass'y	4175	1					
29	NB04E-082B	Throttle lever complete	4176	1					
30	NB50-5051A	Throttle wire complete	4177	1					
31	NB04CII-412	Tapping screw	4178	2					
32	NB04G-401/1A	Handle	4179	1					
33	NB04E-429A	Handle grip (right)	4180	1					
34	NB04CII-430A	Handle grip (left)	4181	1					
35	0119 06995 0	Bolt (socket head)	4182	4					
40	NB50-0301	Gear case unit (incl. 41-52, 61, 65, 69-71, 73, 75)	4183	1					
41	NB50-3002	Cutter shaft set (incl. 42)	4184	1					
42	0310 04999 0	Dowel pin	1377	1					
43	NB50-3101 G	Gear case	4185	1					
44	NB03D-3110A	Receiver washer	4010	1					
45	NB03D-3111B	Clamp washer	4011	1					
46	NB30-3101A	Clamping nut	4186	1					
47	NB30-3102A	Cap nut	4187	1					
48	NB50-3115	Spacer	4188	1					
49	0400 10998 1	Plug	1385	1					
50	0600 10998 0	Ball bearing	1386	1					
51	0600 12994 0	Ball bearing	1357	1					
52	NB50-3113	Oil seal	4189	1					



Engine Body

NB50L

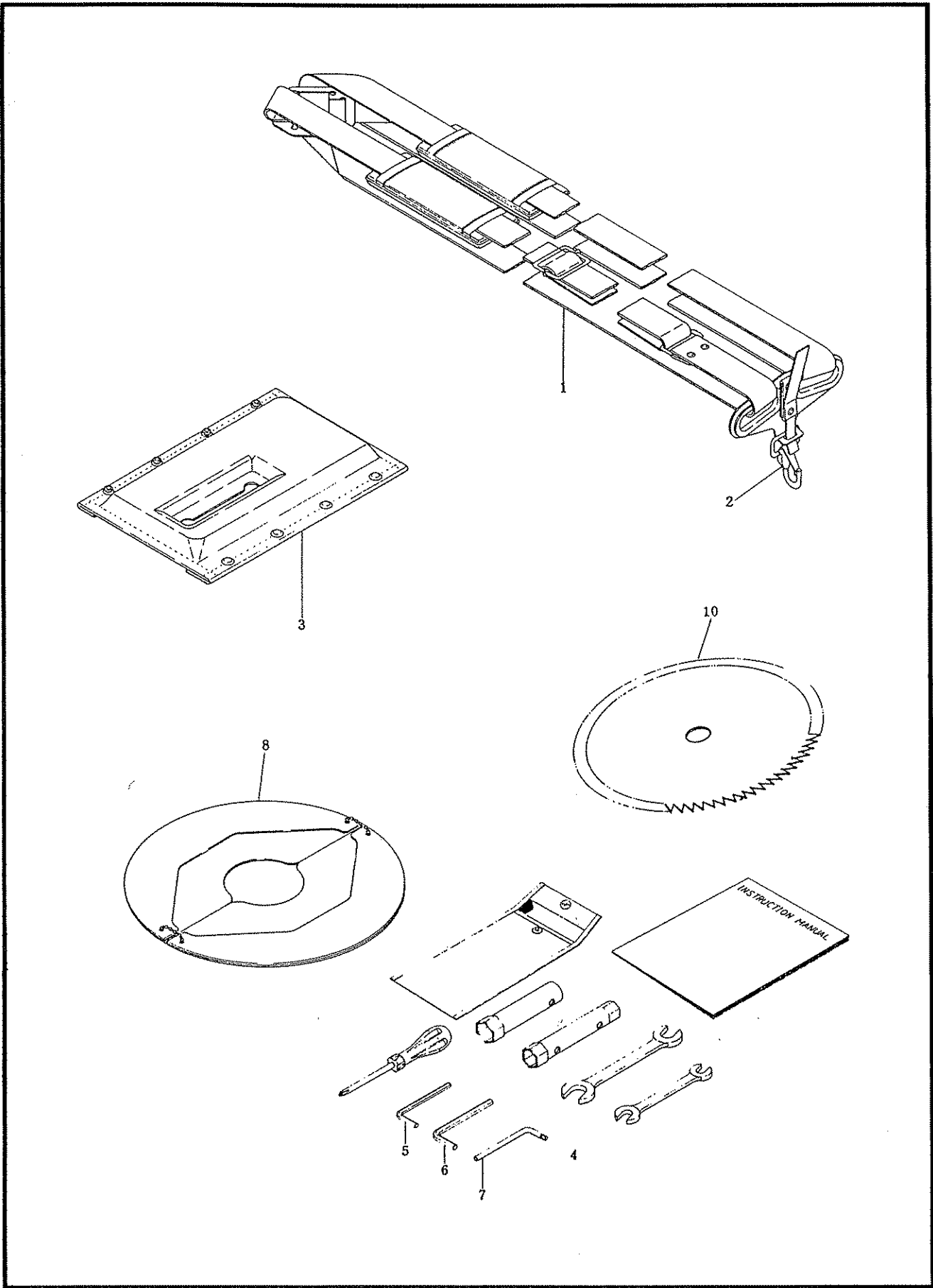
Ref. No.	Mfg.'s No.	Part Name	Our Part No.	Qty.	Ref. No.	Mfg.'s No.	Part Name	Our Part No.	Qty.
1	EC05M-S0210	Crank case complete (incl. 2-4, 9, 10)	4192	1	50	EC02-6701	Filter	1659	1
2	0440159971	Oil seal	1212	2	51	EC05M-6104A	Fuel pipe	4211	1
3	0600159880	Ball bearing	1213	2	52	EC02-6706	Spacer	1660	2
4	EC05M-1131	Crank case packing	4193	1	53	EC05M-6124	Spacer	4212	3
5	EC05M-1110B	Cylinder (high speed)	4194	1	54	EC02-6601	Ring	1658	1
6	EC05M-5111/AG	Cylinder cover	4195	1	55	EC01A-6070	Hose clamp	1632	1
7	0650 14981 0	Spark plug	1007	1	59	EC05M-0701B	Magneto complete (incl. 60, 61)	4213	1
8	EC05M-1132	Cylinder packing	4196	1	60	11100260000	Flywheel	4214	1
9	0440179930	Oil seal	4197	1	61	11400340000	Ignition coil	4215	1
10	EC05M-1120	Ball bearing	4198	1	67	EC05M-7111	Grommet	4216	1
14	EC05M-0202B	Crankshaft complete	4199	1	68	EC02-090B	Plug cap complete	1051	1
15	EC05M-2134	Piston	4200	1	76	EC05M-6120A	Heat insulator	4217	1
16	0610129961	Needle bearing	4015	1	77	EC05M-3301A	Heat insulator packing	4218	2
17	EC06A-2105A	Piston pin	4201	1	80	EC05M-9101	Label (RUN-STOP)	4219	1
18	EC06A-2103	Piston ring	4202	2	81	EC03-9110	Label (caution)	4220	1
19	0565 11999 0	Clip	1230	2	82	NB50-9101A	Label	4221	1
20	EC05M-5101A	Fan cover	4203	1	84	00435 0620 0	Screw assembly M6×20	4222	8
25	EC05M-0501A	Recoil starter complete (incl. 26-35)	4204	1	85	00435 0625 0	Screw assembly M6×25	4223	3
26	A30501100001	Starter knob complete	1241	1	86	00435 0640 0	Screw assembly M6×40	4224	4
28	A60003200000	Spiral spring	4018	1	87	00435 0508 0	Screw assembly M5×8	4225	4
29	A57121000070	Starter rope	4022	1	88	00436 0518 0	Screw assembly M5×18	4226	2
30	A54103300000	Reel	4205	1	89	00437 0614 0	Screw assembly M6×14	4227	5
31	A55002610000	Ratchet	1023	1	90	01190 6997 0	Bolt (socket head) Stand	1224	2
32	A60102600000	Friction spring	1024	1	91	00228 1000 0	Nut M10	4228	1
33	A56002600291	Friction plate	1603	1	92	00228 0800 0	Rock nut M8	1291	1
34	A60503210000	Return spring	1605	1	93	00312 0600 0	Washer M6	1395	5
35	141051251002	Bind screw M5×12	4021	1	94	00310 1000 0	Washer M10	4229	1
36	EC05M-0322C-TA	Muffler assembly	4206	1	95	00320 0600 0	Spring washer M6	1294	4
37	EC05M-3102-SA	Muffler cover	4207	1	96	00320 0800 0	Spring washer M8	1295	1
38	EC05M-3110	Muffler gasket	4208	1	97	00320 1000 0	Spring washer M10	4230	1
39	EC08A-3104	U nut M6	4209	2	98	00532 0420 0	Woodruff key	4231	1
43	EC02-0098	Fuel pump complete (incl. 44)	1642	1	99	00532 0310 0	Woodruff key	1077	1
44	0561 08001 0	Hose clamp	1031	1	100	00690 3160 0	Steel ball	1078	1
45	EC05M-6102B	Fuel tank	4210	1	101	NB50-5110	Stand	4232	1
46	EC02-0669A	Fuel tank cap complete	4721	1	102	NB03D-0201A	Clutch complete	1282	1
47	EC02-6405	Rubber tube	1657	1	103	EC06A-0412	Clamp assembly	4233	1
48	EC02-627B	Weight	1650	1	104	EC05M-6125	Vibration — proof rubber	4234	3
49	EC02-624	Felt	1036	1					



Carburetor

NB50L

Ref. No.	Mfg. 's No.	Part Name	Our Part No.	Qty.	Ref. No.	Mfg. 's No.	Part Name	Our Part No.	Qty.
1	EC05M-0302A	Carburetor complete (incl. 6-33, 36, 37, 40-46)	4235	1	39	EC02-629	Vinyl pipe	1111	1
2	EC05M-0301	Air cleaner assembly (incl. 3-5)	4236	1	40	1127-5441-00-6	Spacer	4262	1
3	EC02-3502	Cleaner element	4237	1	41	1124-8516-00-0	Spring	4263	1
4	EC02-3900	Spacer	4238	2	42	1108-3511-00-5	Spring receive	4264	1
5	0736 36998 0	Label	4239	1	43	9616-0615-04-1	Jet needle clip	4265	1
6	1221-8519-02-6	Ticler spring	4240	1	44	1001-5121-01-4	Slow air screw	1101	1
7	1102-1251-21-9	Diaphragm cover	4241	1	45	1107-8512-00-0	Slow air spring	1100	1
8	1102-8701-00-7	Diaphragm assembly	1091	1	46	1127-5414-00-0	Partial collar	4266	1
9	1102-7134-10-6	Diaphragm packing	1092	1					
10	1102-2721-01-9	Control lever	1097	1					
11	1205-6742-03-1	Hinge pin	1094	1					
12	1001-8513-00-8	Needle valve spring	4242	1					
13	1102-2132-00-2	Needle valve	1095	1					
14	9326-0130-06-8	Pan head machine screw M3×6	1093	1					
15	1009-8513-01-2	Adjust spring	4243	1					
16	9671-0315-10-6	O-ring	4244	1					
17	1009-6110-00-8	Main adjust screw	4245	1					
18	1608-8511-40-4	Adjust screw spring	4246	1					
19	1001-5122-10-7	Slow stop screw	1103	1					
20	1006-2140-11-4	Air drain valve assembly	4247	1					
21	1010-5416-01-6	Collar	4248	1					
22	1006-2531-20-2	Ticler lever	4249	1					
23	1625-8512-10-9	Spring	4250	1					
24	1009-7171-00-1	Pump packing	4251	1					
25	1009-8712-10-0	Pump diaphragm	4252	1					
26	1012-1240-40-3	Pump cover assembly	4253	1					
27	1127-2112-20-4	Throttle valve	4254	1					
28	1127-4311-30-7	Jet needle	4255	1					
29	1111-8511-00-5	Throttle spring	4256	1					
30	1111-1311-01-6	Body cap	4257	1					
31	1107-8111-00-8	Cable adjuster lock nut	4258	1					
32	1107-6121-00-9	Cable adjuster	4259	1					
33	00431 0408 0	Screw (pan head) (M4×8)	1297	1					
34	00431 0430 0	Screw (pan head) M4×30	4260	2					
35	00431 0555 0	Screw (pan head) M5×55	4261	2					
36	00435 0308 0	Screw assembly M3×8	1115	4					
37	00435 0310 0	Screw assembly M3×10	1116	4					
38	00320 0500 0	Spring washer	1286	2					





MEMO



Carswell Import & Marketing Associates, Inc./Carswell Distributing Company

3750 N. Liberty Street, P.O. Box 4193
WINSTON-SALEM, NORTH CAROLINA 27115