

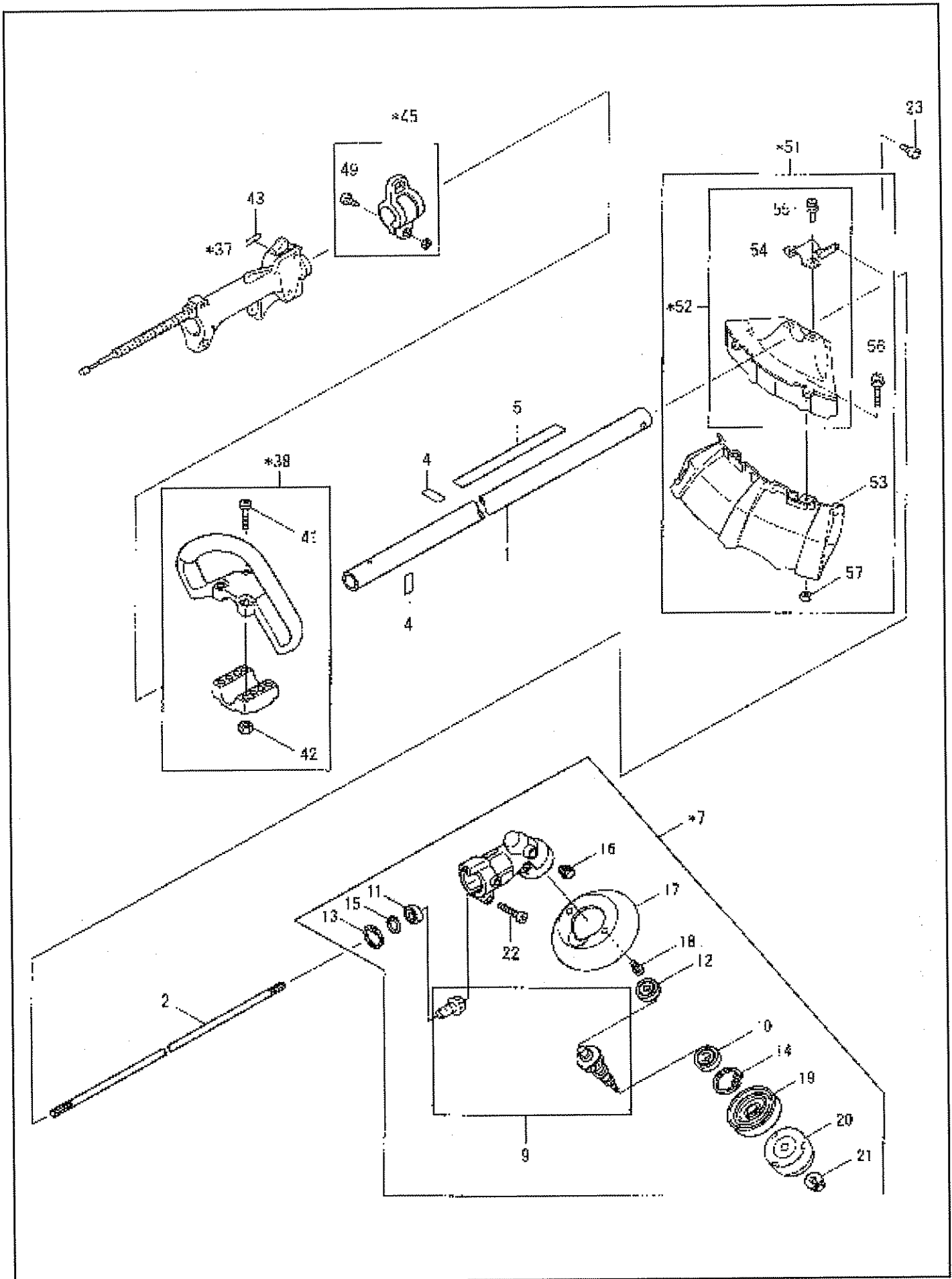


GRASS TRIMMER

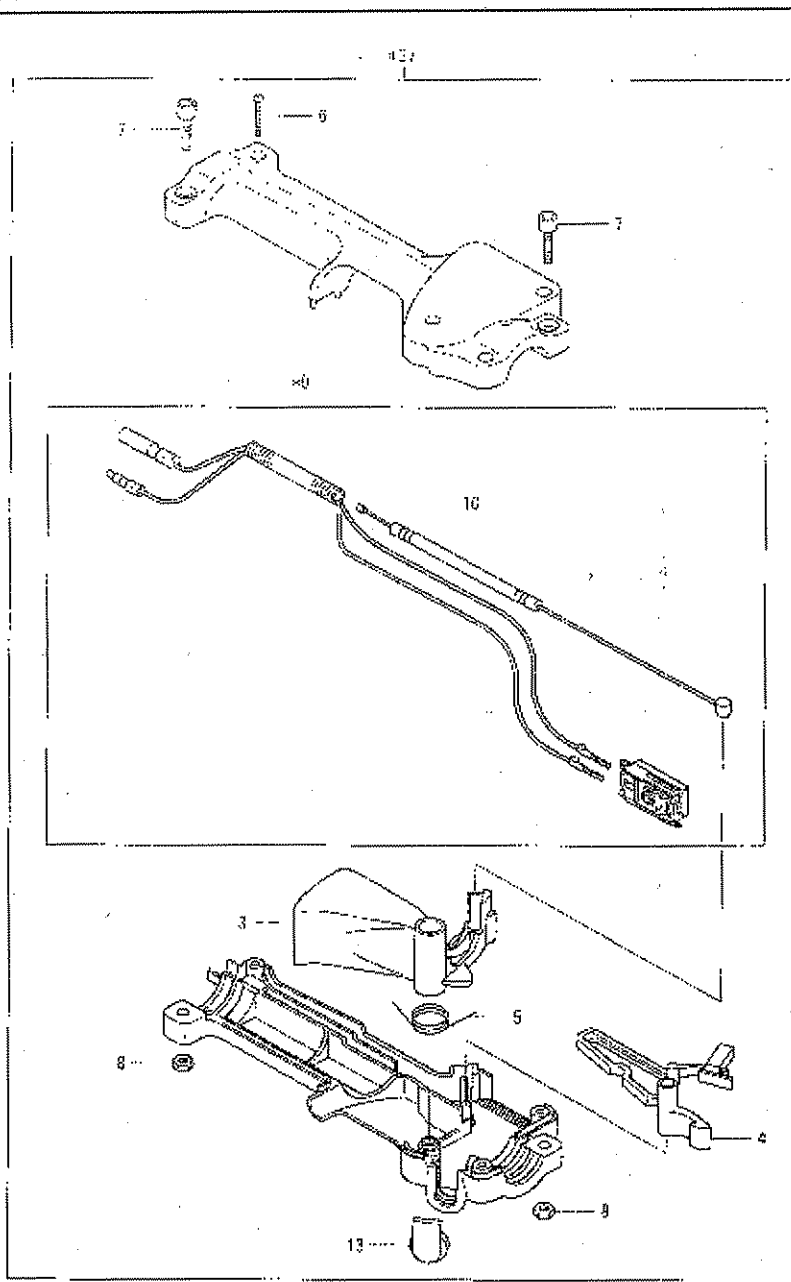
MODEL NB2450A

* 10316 Assy
Throttle Control

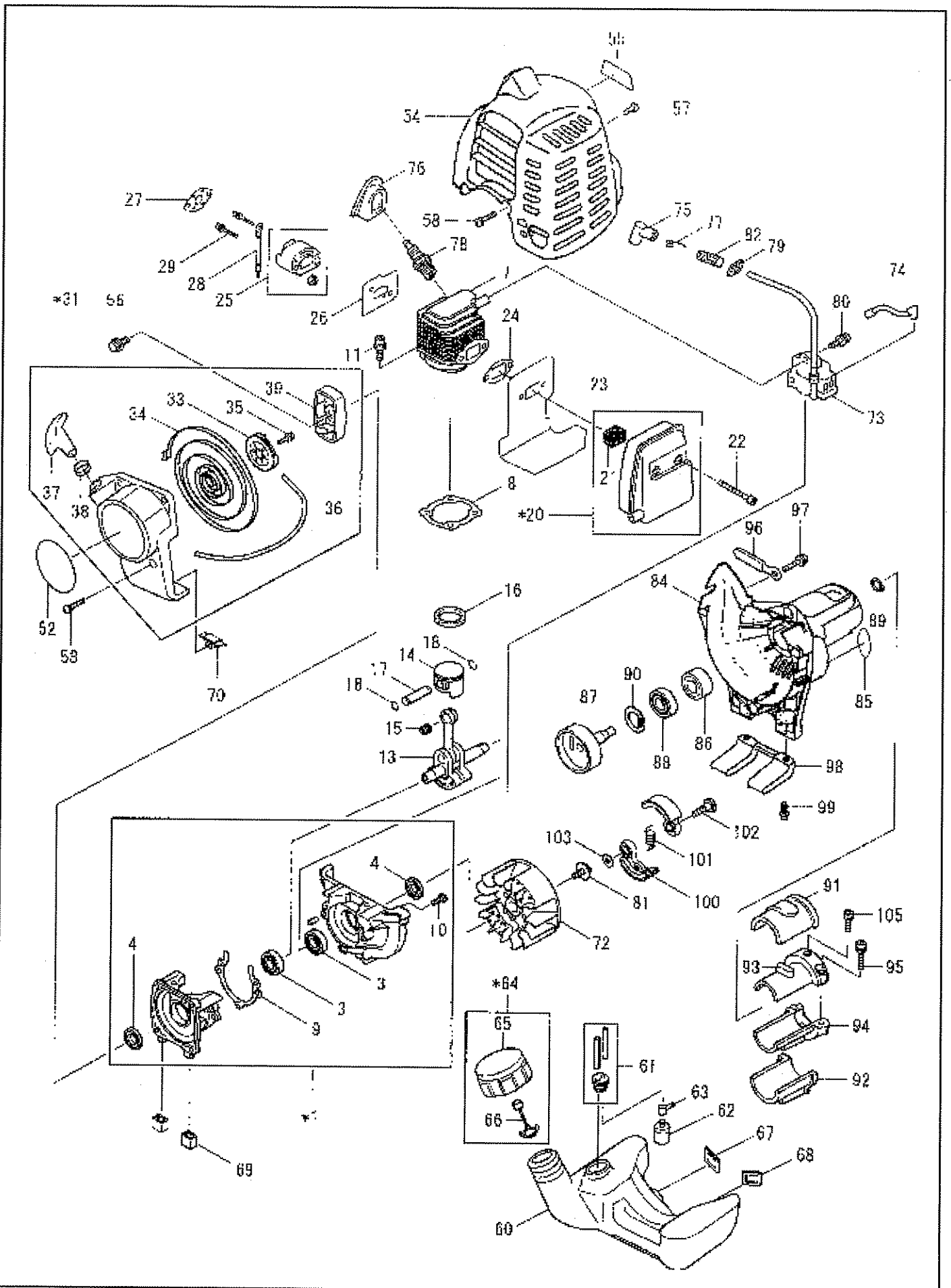
PARTS MANUAL



CONTROL LEVER



| KEY No. | CARSWELL PART No. | QTY | DESCRIPTION | MANUFACTURER PART No. |
|---------|-------------------|-----|---------------------------|-----------------------|
| 3 | 9802 | 1 | Lever | 6195006030 |
| 4 | 1070 | 1 | Lever | 6195013010 |
| 5 | 9809 | 1 | Spring | 6195006050 |
| 6 | 9819 | 4 | Tapping Screw 4 x 20 | 6195006060 |
| 7 | 9817 | 2 | Socket Head Bolt M 5 x 20 | 0119059720 |
| 8 | 9818 | 2 | Nut M 5 | 6415011160 |
| *9 | 10231 | 1 | Wire set Incl. 10 | 6215027011 |
| 10 | 10232 | 1 | Control Cable | 6215027021 |
| 13 | 9843 | 1 | Top | 6195006150 |
| *37 | 10316 | 1 | Control Lever Assy | 6215027001 |
| | | | | |
| | | | | |



ENGINE BODY

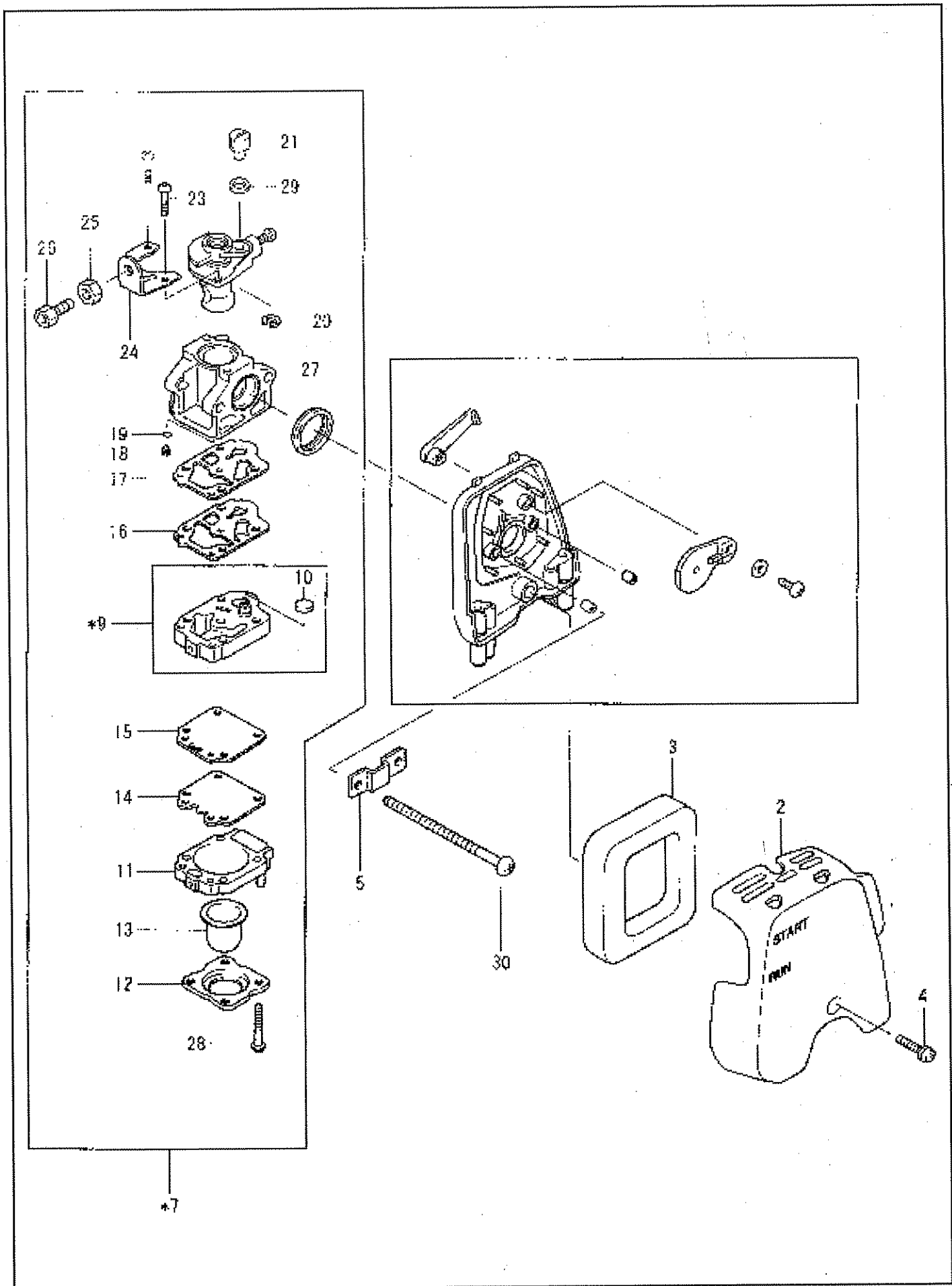
| KEY No. | CARSWELL PART No. | QTY | DESCRIPTION | MANUFACTURER PART No. |
|---------|-------------------|-----|-----------------------------------|-----------------------|
| *1 | 5324 | 1 | Crankcase Compl Incl. 3,4,9,10 | 5231014000 |
| 3 | 10079 | 2 | Ball Bearing #6001C3 | 0600129850 |
| 4 | 5447 | 2 | Oil Seal | 0440129970 |
| 7 | 7711 | 1 | Cylinder | 5231501804 |
| 8 | 5405 | 1 | Gasket, Cylinder | 5231502304 |
| 9 | 5325 | 1 | Gasket, Crankcase | 5231502202 |
| 10 | 5341 | 3 | Screw M5 x 25 SW | 0140059520 |
| 11 | 5333 | 2 | Socket Head Bolt M 5 x 20 W, SW | 0119059730 |
| 13 | 10320 | 1 | Crankshaft Compl | 5252007000 |
| 14 | 10321 | 1 | Piston | 525500800 |
| 15 | 1012 | 1 | Needle Roller Bearing | 0610089990 |
| 16 | 5328 | 1 | Ring, Piston | 5242500701 |
| 17 | 5329 | 1 | Pin, Piston | 5232502600 |
| 18 | 3105 | 2 | Clip | 0565089980 |
| *20 | 10327 | 1 | Muffler, Exhaust Incl. 21 | 5253057000 |
| 21 | 10323 | 1 | Spark Arrester | 5253033010 |
| 22 | 5348 | 2 | Socket Head Bolt M 5 x 45 W | 0119059600 |
| 23 | 10324 | 1 | Gasket, Muffler | 5253503500 |
| 24 | 5343 | 1 | Gasket, Muffler | 5233504302 |
| 25 | 10325 | 1 | Insulator Compl | 5423006000 |
| 26 | 10326 | 1 | Gasket, Insulator | 5253503800 |
| 27 | 6686 | 1 | Gasket, Air Cleaner | 5103502800 |
| 28 | 5342 | 1 | Wire | 6165501200 |
| 29 | 5495 | 2 | Socket Head Bolt M5 x 25 W, SW | 0119059640 |
| *31 | 10327 | 1 | Starter, Rewind Assy Incl. 33~ 39 | 5255011000 |
| 33 | 5373 | 1 | Reel | 5235024012 |
| 34 | 5374 | 1 | Spiral Spring | 5235024032 |
| 35 | 5376 | 1 | Set Screw | 5425003010 |
| 36 | 5576 | 1 | Starter Rope | 5255016020 |
| 37 | 7614 | 1 | Starter Knob | 5225004020 |
| 38 | 5490 | 1 | Damper | 5255001040 |
| 39 | 5361 | 1 | Pulley | 5235025001 |
| 54 | 10329 | 1 | Cover, Cylinder | 5255504800 |
| 55 | 10207 | 1 | Label, Trade Mark | 5219500701 |
| 56 | 5363 | 1 | Bolt Assembly M6 x 14 W | 5235504700 |
| 57 | 5498 | 1 | Screw Assy M5 x 14 W, SW | 0140059480 |
| 58 | 5497 | 4 | Screw M5 x 18 W, SW | 0140059450 |
| 60 | 10330 | 1 | Tank, Fuel | 5256502900 |
| 61 | 10304 | 1 | Tube | 0851159920 |
| 62 | 3112 | 1 | Filter | 5236503900 |
| | | | | |
| | | | | |

NB2450A PARTS LIST

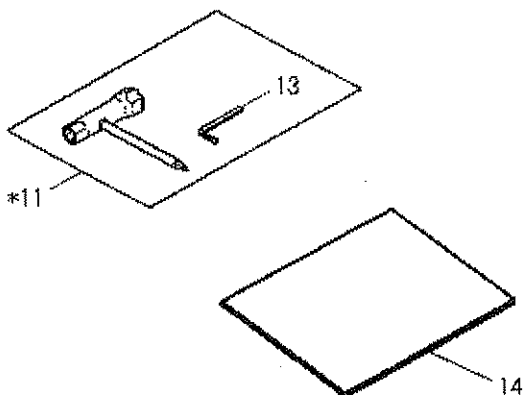
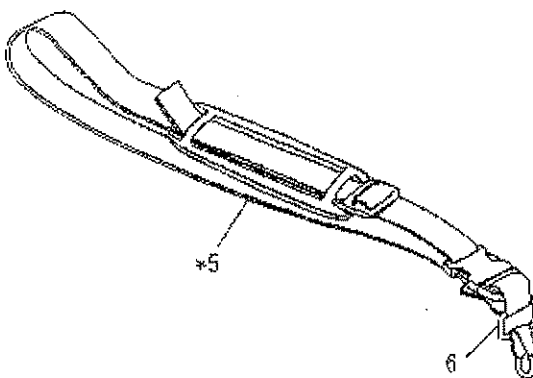
U.S. SPEC.

ENGINE BODY

| KEY No. | CARSWELL PART No. | QTY | DESCRIPTION | MANUFACTURER PART No. |
|---------|-------------------|-----|---------------------------------|-----------------------|
| 63 | 3114 | 1 | Hose Clamp | 0561059990 |
| *64 | 9990 | 1 | Cap, Fuel Tank Assy Incl. 65,66 | 5256059000 |
| 65 | 9000 | 1 | Cap, Fuel Tank Assy | 5256058000 |
| 66 | 9010 | 1 | Strap Assy | 5256067000 |
| 67 | 6161 | 1 | Plate | 5036500200 |
| 68 | 6162 | 1 | Plate | 5036500300 |
| 69 | 6160 | 2 | Damper | 5216500200 |
| 70 | 10331 | 1 | Damper | 5256503000 |
| 72 | 7731 | 1 | Flywheel | 5237034014 |
| 73 | 10332 | 1 | Coil | 5257037020 |
| 74 | 10250 | 1 | Wire Compl | 5257018001 |
| 75 | 10248 | 1 | Cap, Plug | 0655009870 |
| 76 | 5526 | 1 | Cover, Plug Cap | 5197500100 |
| 77 | 6169 | 1 | Spring, Plug Cap | 0654009931 |
| 78 | MB6A | 1 | Plug, Spark BM7A | 0650149810 |
| 79 | 10333 | 1 | Grommet | 5257501100 |
| 80 | 10249 | 2 | Screw Assembly M 4 x 20 W, SW | 0043704200 |
| 81 | 10334 | 1 | Bolt Assembly M6 x 16 W, SW | 0130069940 |
| 82 | 10335 | 1 | Tube | 0851139930 |
| 84 | 10336 | 1 | Case, Clutch | 6211505500 |
| 85 | 10230 | 1 | Label | 6279516201 |
| 86 | 9836 | 1 | Spacer | 6241500300 |
| 87 | 5494 | 1 | Drum, Clutch Compl | 6212014000 |
| 88 | 8603 | 1 | Ball Bearing #6201DDU | 0600129810 |
| 89 | 1398 | 1 | Snpring, Outer O 12 | 0031512000 |
| 90 | 1189 | 1 | Snpring, Inner O32 | 0031432000 |
| 91 | 10222 | 1 | Damper, Pipe 1 | 6241501200 |
| 92 | 10223 | 1 | Damper, Pipe 2 | 6241501300 |
| 93 | 10337 | 1 | Bracket, Pipe 1 | 6241500601 |
| 94 | 10338 | 1 | Bracket, Pipe 2 | 6241500701 |
| 95 | 1223 | 2 | Socket Head Bolt M 5 x 18 SW | 0119059950 |
| 96 | 9959 | 1 | Clamp | 0566059980 |
| 97 | 10229 | 3 | Socket Head Bolt M 5 x 18 W, SW | 0119059870 |
| 98 | 10339 | 1 | Stand Assy | 5259010001 |
| 99 | 5498 | 2 | Screw Assy M 5 x 14 W, SW | 0140059480 |
| 100 | 9967 | 2 | Shoe, Clutch | 5928500000 |
| 101 | 9968 | 1 | Spring | 5928500100 |
| 102 | 9969 | 2 | Bolt, Clutch | 5928500200 |
| 103 | 1147 | 2 | Washer | 6252500900 |
| 105 | 6128 | 1 | Socket Head Bolt M 5 x 12 SW | 0119059900 |
| | | | | |
| | | | | |



STANDARD ACCESSORY



| KEY No. | CARSWELL PART No. | QTY | DESCRIPTION | MANUFACTURER PART No. |
|---------|-------------------|-----|----------------------------|-----------------------|
| *5 | 10239 | 1 | Band Assy incl. 6 | 6197003002 |
| 6 | 10313 | 1 | Hook Compl | 6195006060 |
| *11 | 5426 | 1 | Tool | 6119029001 |
| 13 | 8096 | 1 | Wrench, Socket Head M 5 | 6415011160 |
| 14 | | 1 | Instruction Book - English | 6259544300 |
| | | | | |
| | | | | |
| | | | | |
| | | | | |
| | | | | |
| | | | | |
| | | | | |
| | | | | |

Carswell Import & Marketing Associates, Inc. / Carswell Distributing Company
3750 N. Liberty Street, P.O. Box 4193
WINSTON-SALEM, NORTH CAROLINA 27115-4193

Specifications subject to change without notice.