

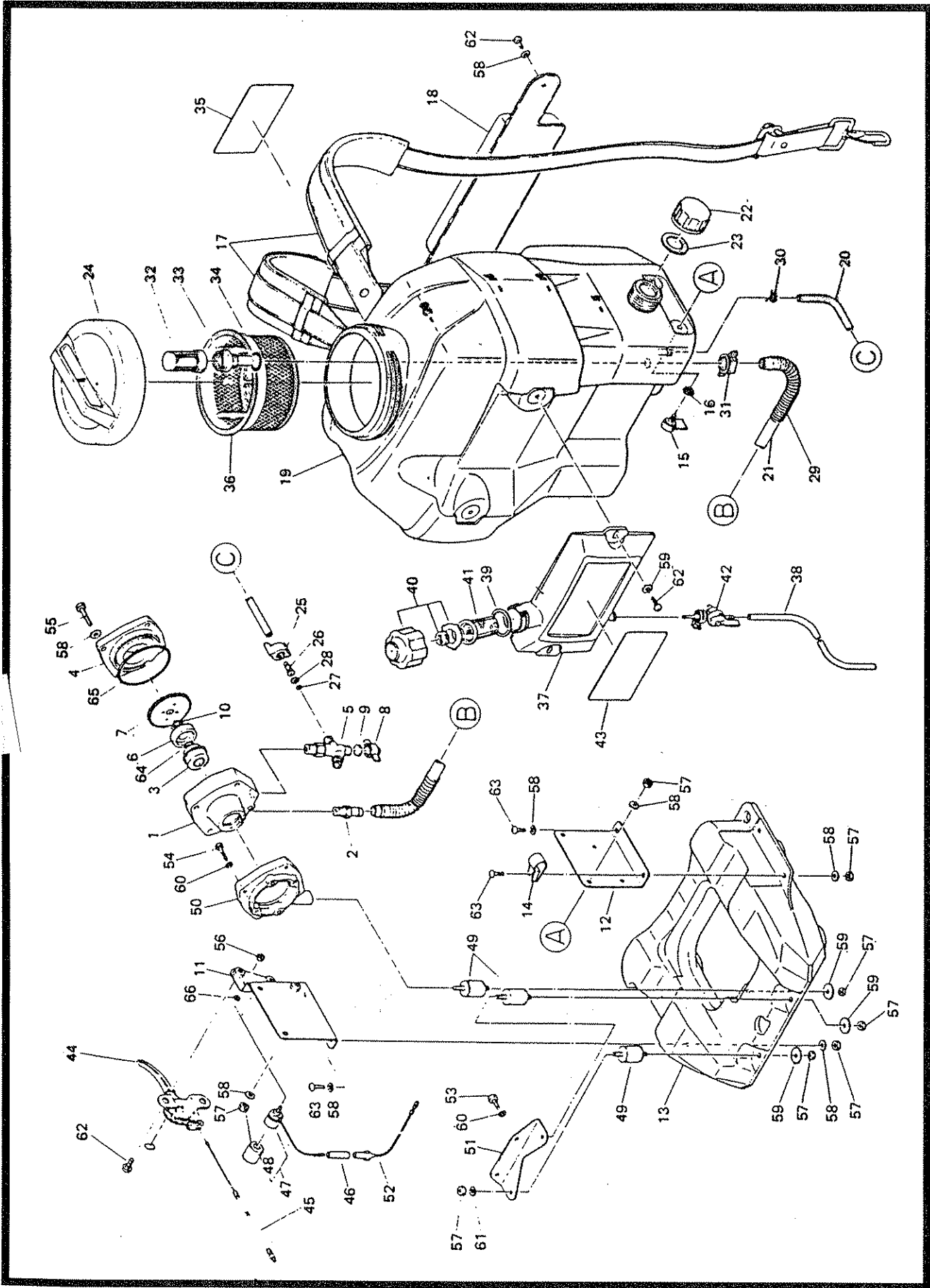


old parts manual

POWER SPRAYER

MODEL RS02

PARTS MANUAL

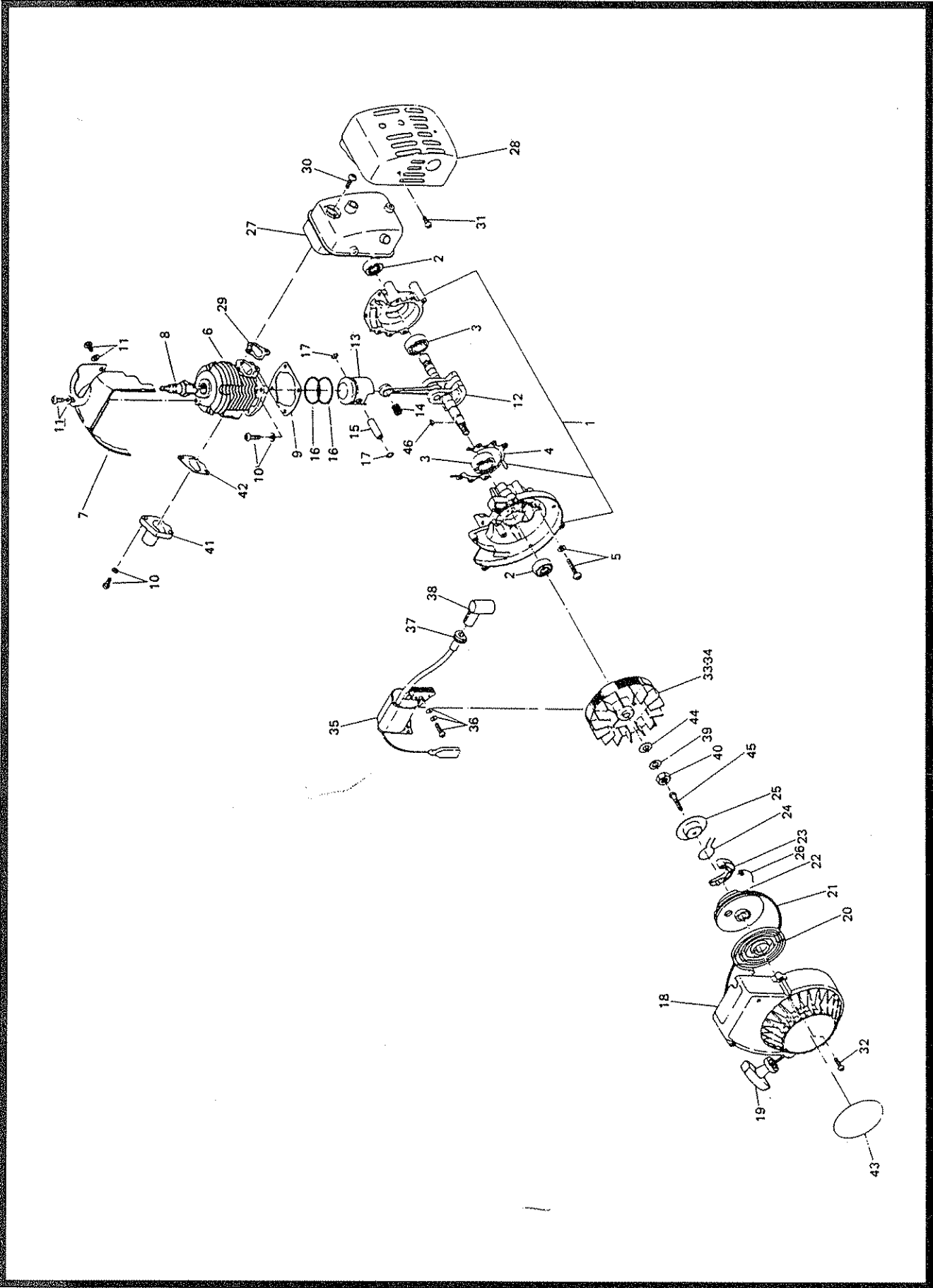


Machine body

RS02

Ref. No.	Mfg.'s No.	Part Name	Our Part No.	Qty.	Ref. No.	Mfg.'s No.	Part Name	Our Part No.	Qty.
1	RS02B-1101A	Casing	6232	1	39	EC05A-6111	Packing (B)	4149	1
2	RS02B-1110	Suction joint	6233	1	40	RS03-0501	Fuel tank cap compl.	6245	1
3	RS04-0101	Mechanical seal compl.	4270	1	41	0641 27999 0	Fuel filter	4304	1
4	RS03-1102A	Cover	6234	1	42	0642 00990 1	Fuel strainer	2046	1
5	RS03-146B	Hose joint	6235	1	43	RS02D-9141B	Label	6250	1
6	RS03II-097/1A	Seal ring receiver compl.	4271	1	44	RS02B-0810	Throttle lever compl.	6251	1
7	RS03II-103/1	Impeller	4278	1	45	RS02B-0811	Throttle wire compl.	6252	1
8	RS03II-214	Plug	4279	1	46	RS02D-8110	Spiral tube	6253	1
9	RS02-215A	Plug packing	4280	1	47	FH03-S0020	Stop button compl. (incl. 48)	4447	1
10	0306 11999 0	Snap ring (outer)	4282	1	48	FH04-5114	Dust-proof cap	4448	1
11	RS02B-0310B	Tank bracket compl. (A)	6236	1	49	RS02B-0820A	Vibration-proof rubber compl.	6254	3
12	RS02B-0311	Tank bracket compl. (B)	6237	1	50	RS02B-8101A	Pump bracket	6255	1
13	RS02B-3101	Tank stay	6238	1	51	RS02B-8102	Engine bracket	6256	1
14	0561 15999 2	Hose clamp	4290	1	52	FH04-5017	Middle cord compl.	6257	1
15	RS02B-4114A	Tank fitting plate	6239	4	53	0100 05998 0	Bolt	6258	2
16	RS02B-4115	Seal washer	6240	4	54	0100 05997 0	Bolt	6259	4
17	RS02D-0051A	Shoulder band set	4288	1	55	0100 06990 0	Bolt	6260	4
18	RS02B-0903A	Waist pad compl.	6241	1	56	0170 04999 0	Nut	4465	1
19	RS02B-4101/1C	Liquid drug tank	6242	1	57	0170 06999 0	Nut	4375	13
20	RS02B-4110	Stir hose	6243	1	58	0200 06993 0	Washer	4468	16
21	RS02B-4111	Suction hose	6244	1	59	0200 06994 0	Washer	4344	5
22	NF04S-4129	Cap	4428	1	60	0203 05999 0	Spring washer	4470	6
23	RS02B-4113	Packing (plug)	4503	1	61	0203 06998 0	Spring washer	4471	2
24	RS02II-063C	Liquid drug tank cap compl.	4303	1	62	0140 06995 0	Screw	4336	6
25	RS02II-139B	Sack nut (stir)	4304	1	63	0140 06996 0	Screw	4478	4
26	RS02II-140	Nipple (stir)	4305	1	64	00626 1009 1	O-ring	4350	1
27	RS02II-141A	Fountain plate (stir)	4306	1	65	00626 2067 1	O-ring	6261	1
28	RS02II-142	Fountain plate packing	4307	1	66	00312 0400 0	Washer	4348	1
29	RS02II-144A	Hose protection coil	6245	1					
30	RS02II-146A	Binding wire	4308	1					
31	RS02II-511E	Nut (suction pipe joint)	4312	1					
32	RS02II-513	Suction mouth strainer	4313	1					
33	NF32-337B	Suction pipe joint	4311	1					
34	RS03-4102	O-ring	4319	1					
35	RS02D-9121	Label	6246	1					
36	RS02II-502	Liquid drug strainer	4310	1					
37	RS02B-5101A	Fuel tank	6247	1					
38	RS02B-5110	Fuel pipe	6248	1					

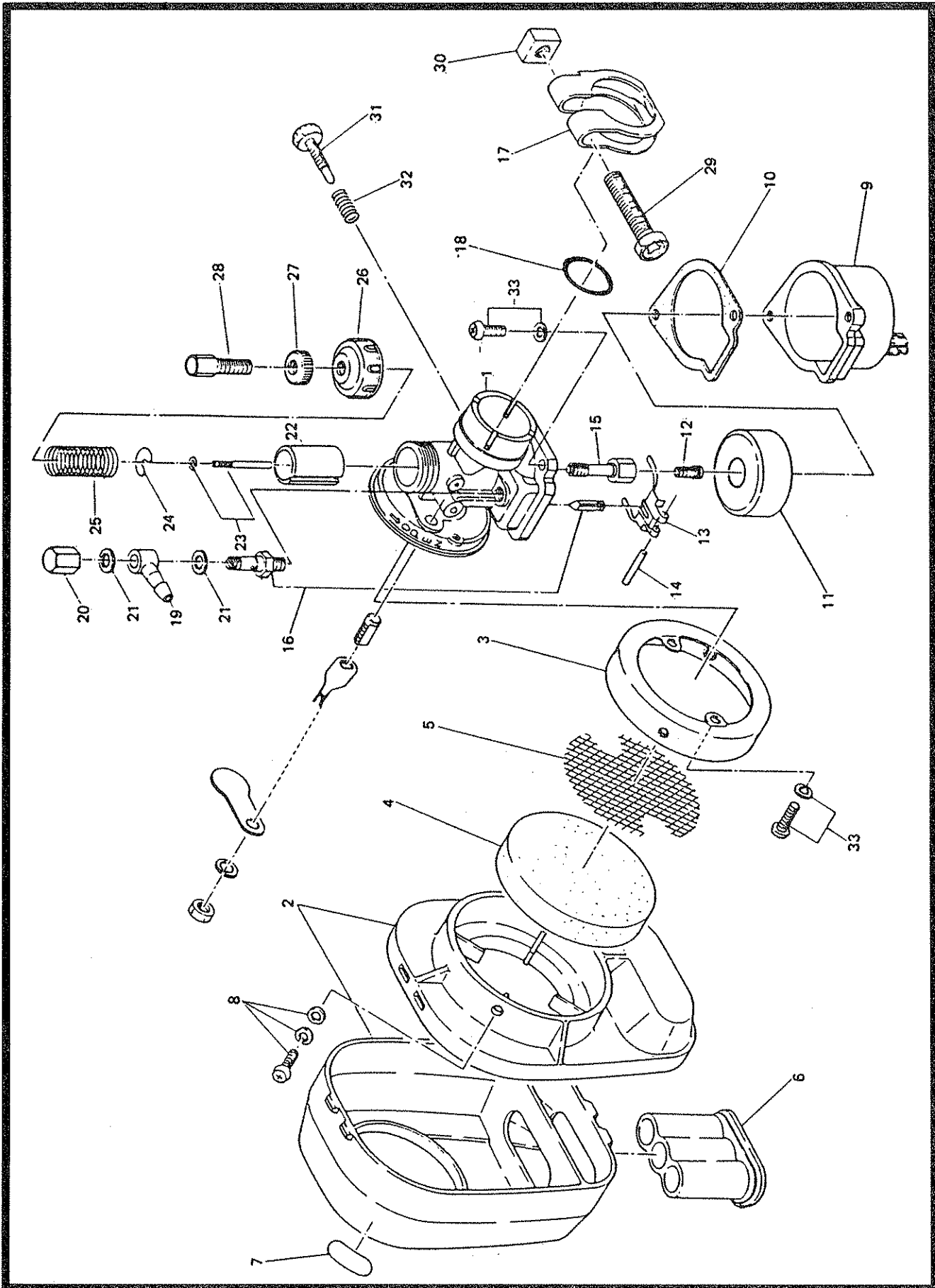
4028



Engine body

RS02

Ref. No.	Mfg.'s No.	Part Name	Our Part No.	Qty.	Ref. No.	Mfg.'s No.	Part Name	Our Part No.	Qty.
1	EC02-006	Crank case compl. (incl. 2-4)	1001	1	37	0241059986	Grommet	6277	1
2	0440 12999 1	Oil seal	1002	2	38	EC02-090B	Plug cap compl.	1051	1
3	0600 12992 0	Ball bearing	1003	2	39	0203089990	Spring washer (left)	1440	1
4	EC02-120A	Crank case packing	1004	1	40	0170089960	Nut (left)	1278	1
5	EC02-8525	Plus & minus screw ass'y	6265	4	41	EC02-311	Carburetor bracket	6278	1
6	EC02-110J	Cylinder	3301	1	42	EC02-322A	Carburetor bracket packing	6279	1
7	EC02-501E-A	Cylinder cover	5073	1	43	RS02D-9144	Label	6270	1
8	0650149810	Spark plug	1007	1	44	0031008000	Washer	1428	1
9	EC02-121B	Cylinder packing	1008	1	45	EC02-7516	Plus & minus screw	6271	1
10	EC02-8516	Plus & minus screw ass'y (with W M5×16)	3152	6	46	0053203100	Woodruff key	1077	1
11	EC02G-8508	Plus & minus screw ass'y (with W M5×8)	6266	2					
12	EC02-0299	Crankshaft compl.	6267	1					
13	EC02-221E	Piston	1011	1					
14	0610089990	Needle bearing	1012	1					
15	EC02F-2033	Piston pin	6268	2					
16	TG02-207A	Piston ring	1014	2					
17	0565079990	Clip	1015	1					
18	EC02-058B-A	Recoil starter compl. (incl. 19-26)	1016	1					
19	A57200100001	Starter knob	1018	1					
20	A60002600000	Spiral spring	1020	1					
21	A57100890000	Starter rope	1021	1					
22	A54102600100	Reel	1601	1					
23	A55002610000	Ratchet	1023	1					
24	A60102600000	Friction spring	1024	1					
25	A56002600190	Friction plate	6269	1					
26	A60503210000	Return spring	1605	1					
27	EC02-0302-TA	Muffler ass'y	6270	1					
28	EC02-305-SA	Muffler/cover	6271	1					
29	EC02-315B	Muffler gasket	1646	1					
30	0119 05 9950	Bolt (socket head)	1223	2					
30	EC02-3901	Screw (pan head)	5078	2					
31	0140 05996 0	Screw	4038	3					
31	EC02-3901	Screw (pan head)	5078	3					
32	EC02-7516	Plus & minus screw (pan head) (M5×16)	6272	3					
33	EC02-0799B	Magneto compl. (incl. 34, 35)	6273	1					
34	3M-42767	Flywheel	6274	1					
35	4M-50466	Igniter	6275	1					
36	EC02-9420	Plus & minus screw ass'y	6276	2					



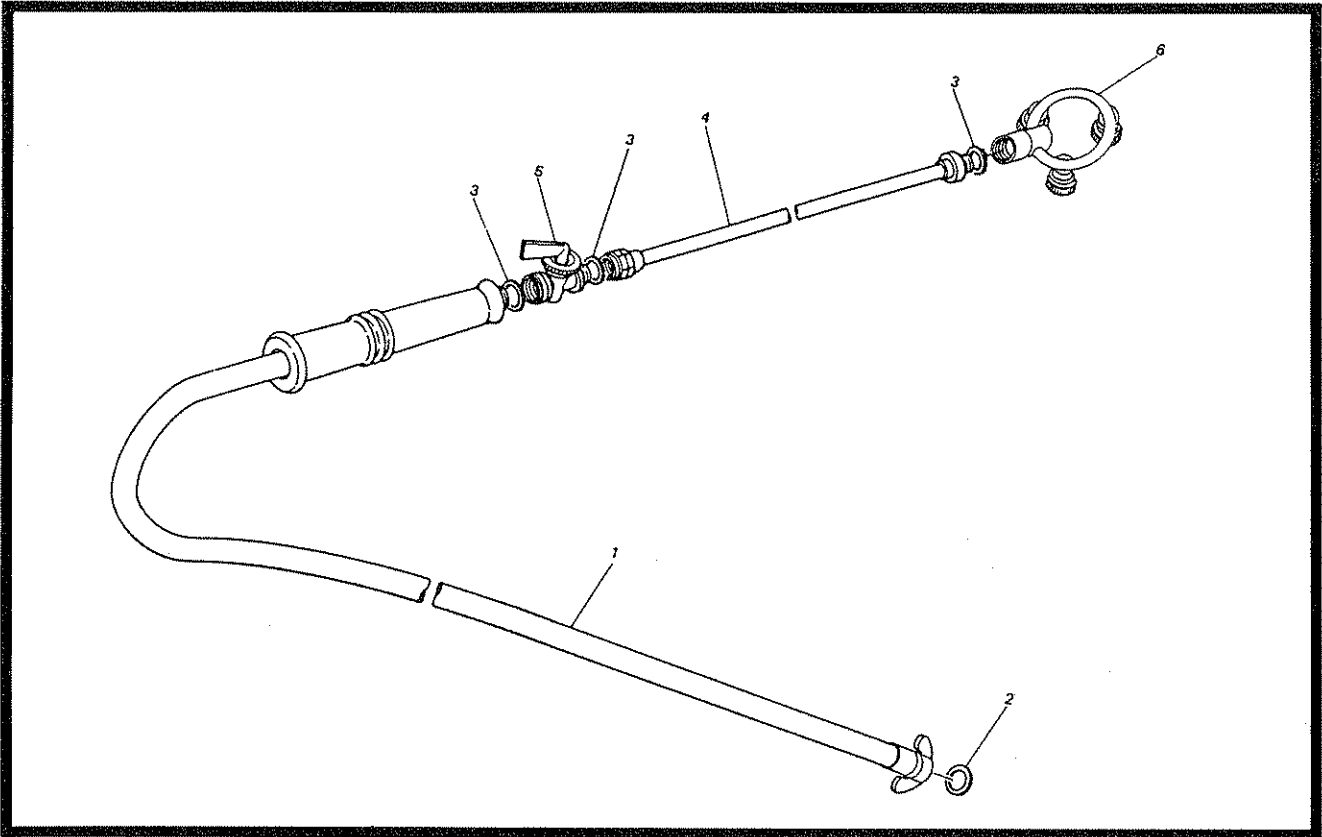
Carburetor

RS02

Ref. No.	Mfg.'s No.	Part Name	Our Part No.	Qty.	Ref. No.	Mfg.'s No.	Part Name	Our Part No.	Qty.
1	EC02-0689A	Carburetor compl. (incl. 3-5, 9-33)	6272	1					
2	EC04-0339B	Silencer compl. (incl. 6, 7)	6273	1					
3	1502-1111-01-1	Cleaner body	6274	1					
4	1502-7531-00-9	Air cleaner	1082	1					
5	1502-7522-00-0	Back screen	6275	1					
6	EC04-3307B	Suction pipe	6276	1					
7	0736369980	Label	7053	1					
8	0043604100	Screw ass'y	4065	4					
9	1217-1430-11-7	Float chamber ass'y	6277	1					
10	1105-7121-03-8	Float chamber packing	6278	1					
11	1113-2214-00-3	Float	6279	1					
12	1118-4111-00-1	Main jet (#50)	6280	1					
13	1113-2721-40-8	Float hinge	6281	1					
14	1205-6742-00-5	Hinge pin	1094	1					
15	1105-4113-00-4	Needle jet	6282	1					
16	1104-2131-00-6	Needle valve	6283	1					
17	1002-5211-10-6	Body band	6284	1					
18	1113-7113-00-2	O-ring	6285	1					
19	1110-3331-10-9	Tube joint	6286	1					
20	1002-8143-00-3	Sack nut	6287	1					
21	5001-7141-00-4	Joint packing	6288	2					
22	1112-2112-00-9	Throttle valve	6289	1					
23	1105-4313-00-8	Jet needle (incl. E-ring)	6290	1					
24	1105-3511-02-7	Spring receive	1106	1					
25	1103-8511-00-0	Throttle spring	1107	1					
26	1110-1311-00-0	Body cap	6291	1					
27	1106-8111-00-4	Lock nut	1109	1					
28	1113-6121-00-6	Cable adjuster	1110	1					
29	9131-1406-25-9	Band bolt	6292	1					
30	9422-0406-05-3	Body band nut	6293	1					
31	1128-5122-00-2	Slow stop screw	6294	1					
32	1002-8511-00-4	Adjust screw spring	6295	1					
33	0043504100	Screw ass'y	1118	4					

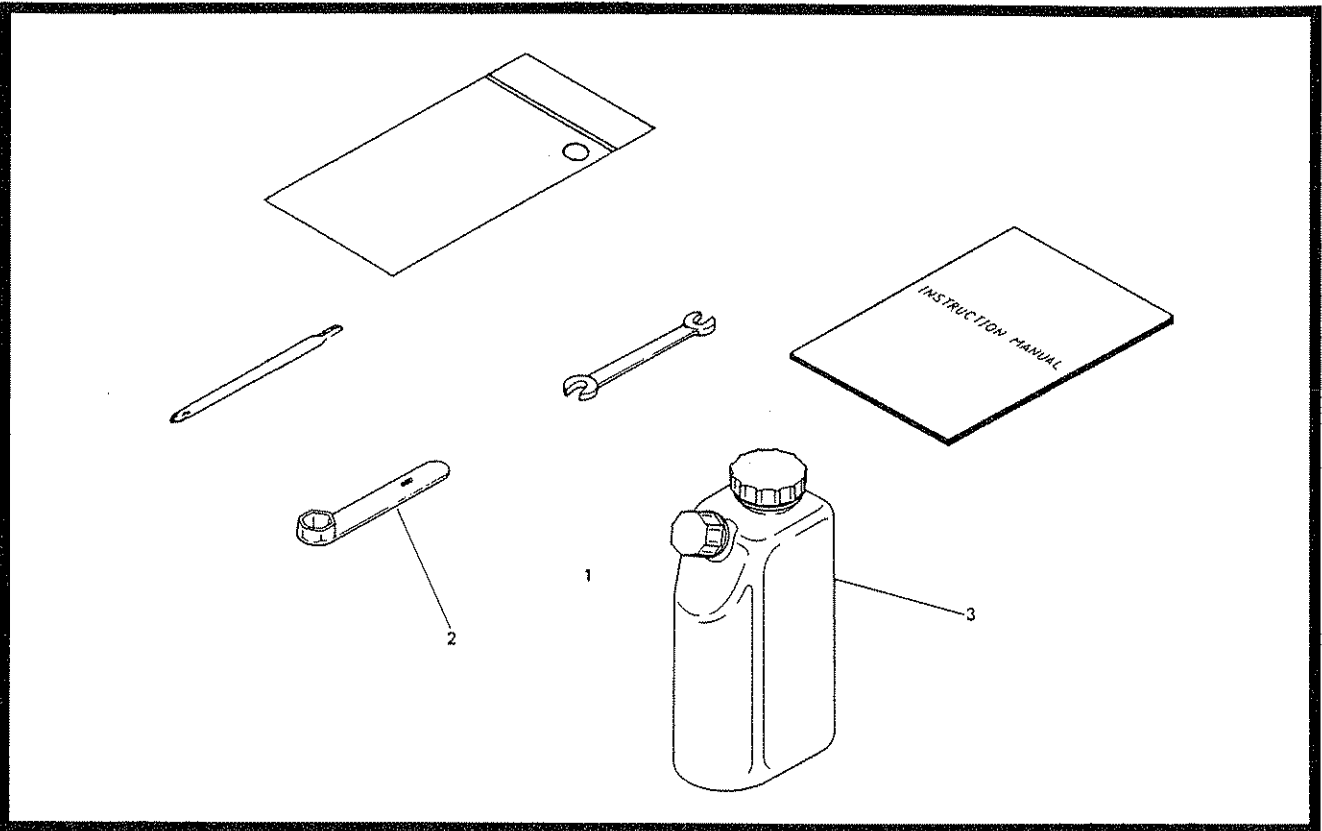
Equipment

RS02



Accessories

RS02



Equipment

RS02

Ref. No.	Mfg.'s No.	Part Name	Our Part No.	Qty.	Ref. No.	Mfg.'s No.	Part Name	Our Part No.	Qty.
1	RS02B-0905	Spray hose compl. (incl. 2, 3)	6262	1					
2	RS03-033A-6	Packing	4352	1					
3	RS03-316A-4	Packing	0000	3					
4	RS03-316A	Spray pipe (incl. 3)	4354	1					
5	RS0311-311	Top cock (incl. 3)	6263	1					
6	RS02D-9101	3 spout annular head	6264	1					

Accessories

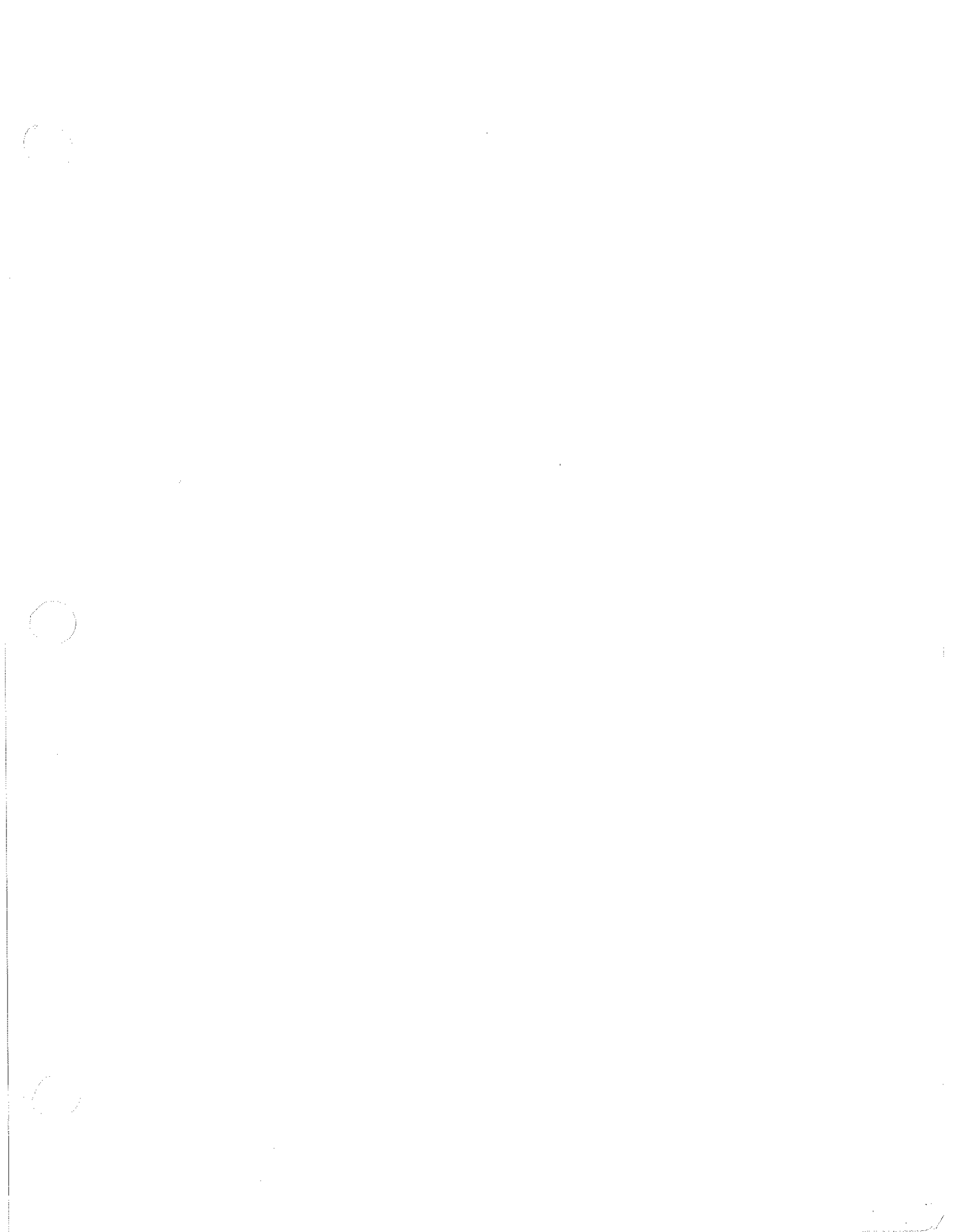
RS02

Ref. No.	Mfg.'s No.	Part Name	Our Part No.	Qty.	Ref. No.	Mfg.'s No.	Part Name	Our Part No.	Qty.
1	RS02B-0910A	Tool kit (incl. 2)	6296	1					
2	0713 19999 1	Box wrench	6297	1					
3	EC03-049A	Fuel mixer	4361	3					



MEMO

A large, empty rectangular box with a thick black border, intended for writing the memo's content.



Carswell Import & Marketing Associates, Inc./Carswell Distributing Company
3750 N. Liberty Street, P.O. Box 4193
WINSTON-SALEM, NORTH CAROLINA 27115