

Robin

Hedge Trimmer

HT250

HT751

INSTRUCTION MANUAL

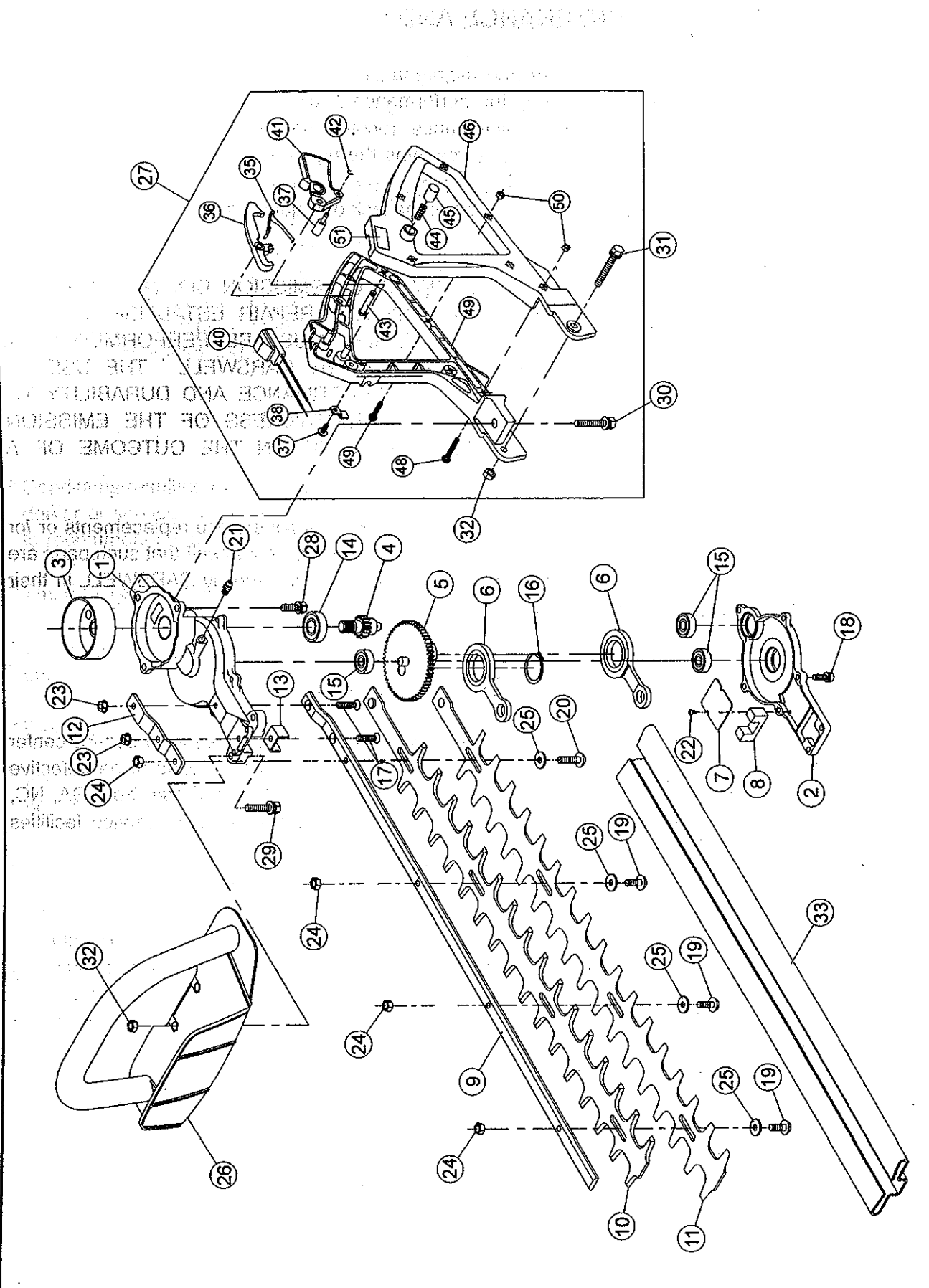
Important:

Read this instruction manual carefully before putting the Brush Cutter into operation and strictly observe the safety regulations!
Preserve instruction manual carefully!

HT250 PARTS LIST

MACHINE BODY

(U. S. SPEC.)

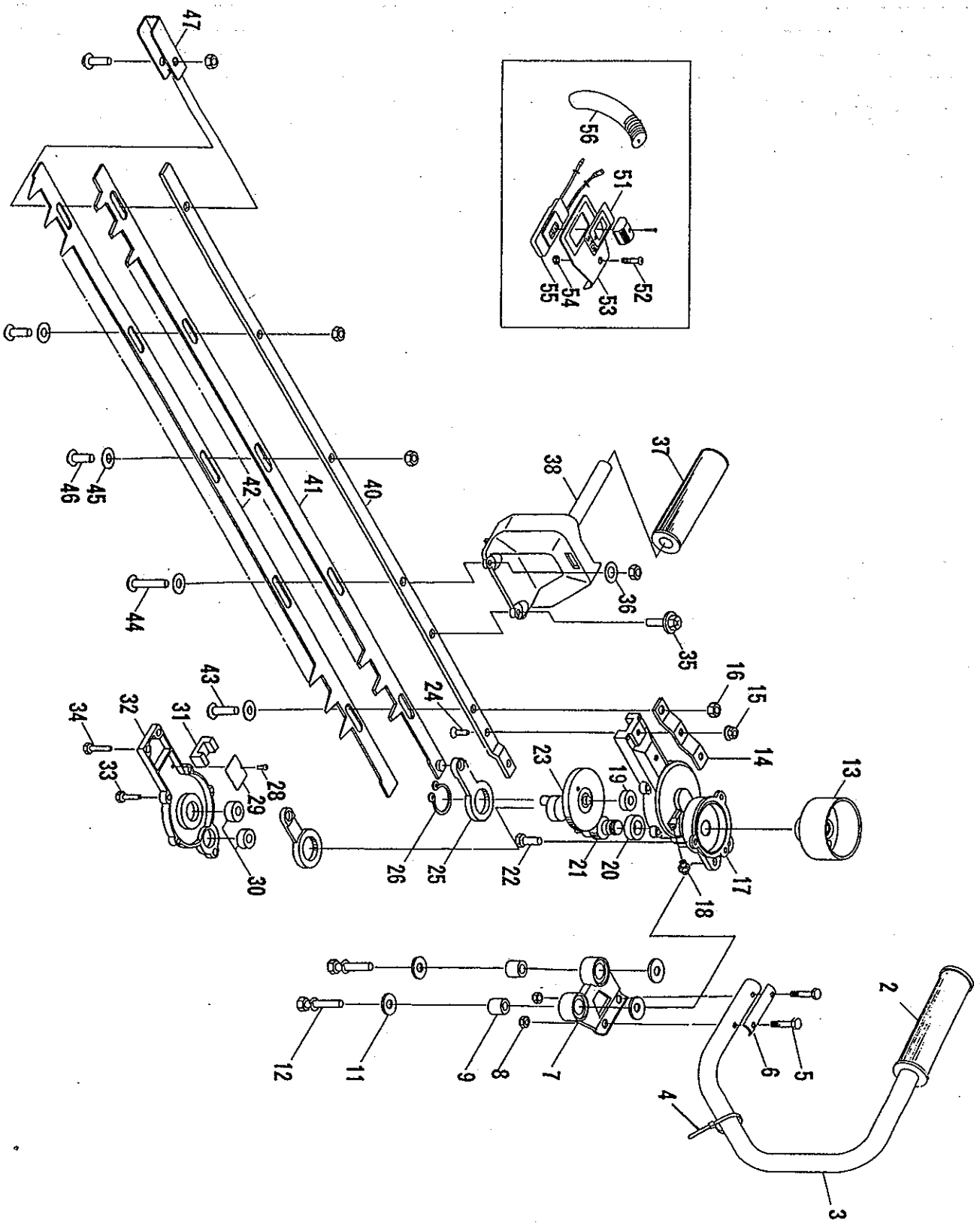


KEY No.	OUR PART No.	QTY.	DESCRIPTION	PART No.
		HT250		
1		1	Upper case	A325-100002
2		1	Lower case	A325-101002
3		1	Drum	136-141
4		1	Pinion	136-142
5		1	Gear crank ass'y	136-003
6	9328	2	Rod	118-100
7	5031	1	Rod slide plate	030-110
8		1	Felt	A325-104004
9	9323	1	Guide plate	118-126
10	9331	1	Upper blade	077-106
11	9334	1	Lower blade	077-107
12		1	Plate	A325-102004
13		1		A325-103004
14		1	Bearing (#6001)	K354-060010
15		3	Bearing (#608Z)	K353-006080
16	6412	1	Snap ring	K283-026000
17		2	Screw (M5 x 20)	K011-050205
18	9336	7	Bolt (M5 x 16 W SW)	K054-050160
19		3	Screw	A040-002009
20		1	Screw	A040-003009
21		1	Grease nipple	R055-000100
22	5030	2	Screw (M3 x 5)	K010-030050
23	9321	2	Flange nut (M5)	K162-050000
24	5069	4	U-nut (M6)	K164-060000
25	5028	4	Washer	008-250
26		1	Front handle	118-155
27	9368	1	Rear handle ass'y (Incl. 35 ~ 51)	118-003
28		2	Bolt (M6 x 16 W SW)	K054-060160
29		2	Bolt (M6 x 35 W SW)	K054-060350
30	9317	1	Bolt (M6 x 40 W SW)	K055-060400
31	9315	1	Bolt (M6 x 50 W SW)	K055-060500
32		3	Nut (M6)	K151-060000
33	9374	1	Blade cover	A028-002039
35		1	Spring	118-162
36	9371	1	Lock lever	118-151
37	9302	1	Screw (M4 x 10)	K112-040100
38	9303	1	Holder	118-121
39	9304	1	Plate	118-111
40	9369	1	Switch	A005-044004
41	9306	1	Throttle lever	118-115
42	9307	1	Snap ring	K280-002500
43	9308	1	Pin	118-112
44	9309	1	Spring	118-114
45	9310	1	Fixing knob	118-113
46	9373	1	Rear handle (L)	118-150
47	9312	5	Screw (M4 x 16 W SW)	K017-040160
48	9313	1	Screw (M4 x 30 W SW)	K017-040300
49	9372	1	Rear handle (R)	118-149
50	4485	6	Nut (M4)	K150-040000
51		1	Label	A052-175004

HT751 PARTS LIST

(U. S. SPEC.)

MACHINE BODY

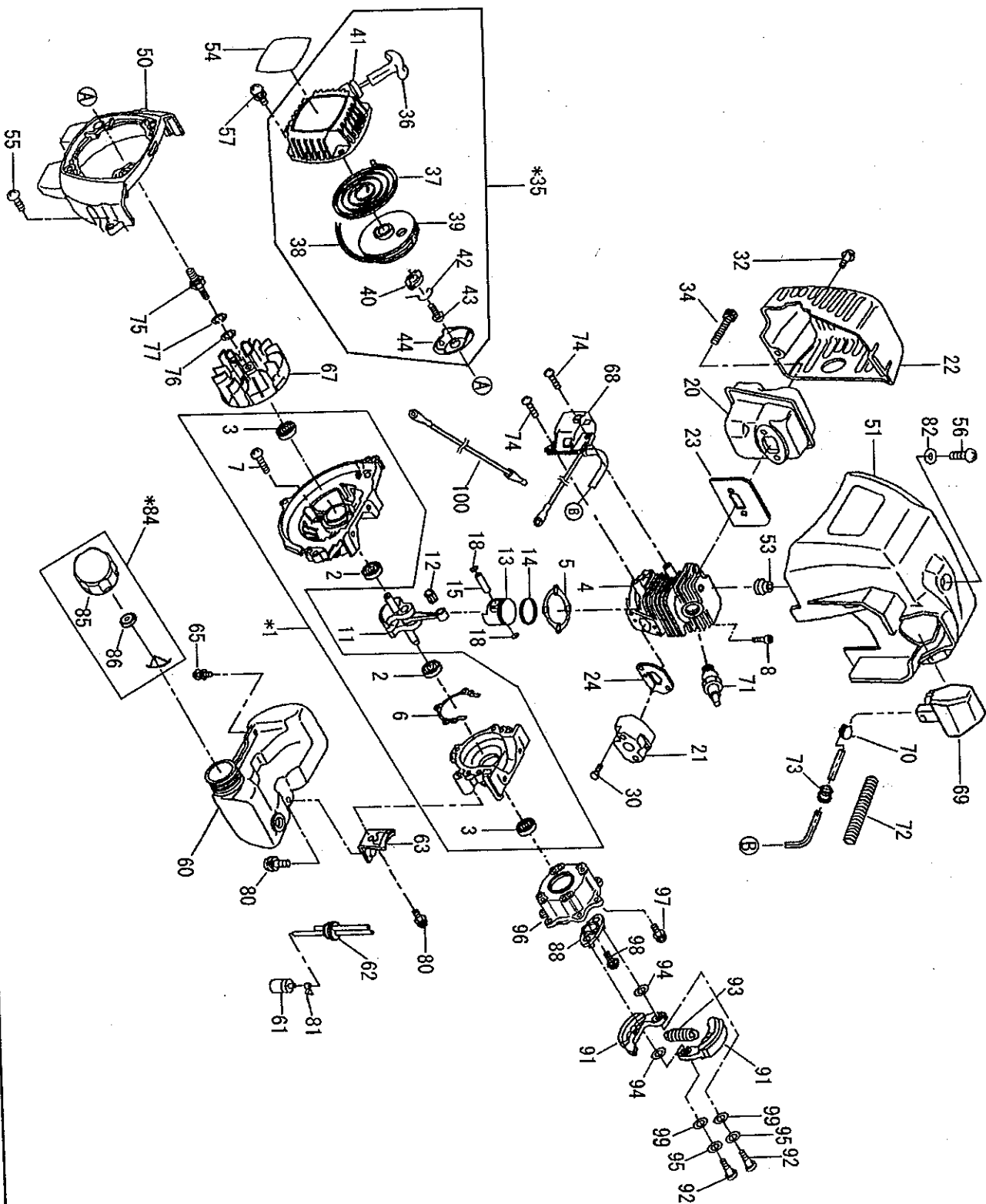


KEY No.	OUR PART No.	QTY.	DESCRIPTION	PART
		HT751		No.
2	9 0 8 6	1	Handle rubber	008-345
3	9 3 7 5	1	Left handle	136-162
4	5 0 5 6	1	Cord binder	R035-002100
5	1 2 1 5	2	Bolt (M5×30)	K040-050301
6	6 4 2 7	1	Handle fitting	136-103
7	6 4 2 9	1	Handle holder	136-100
8	5 0 1 6	2	Nut (M5)	K150-050000
9	9 3 7 6	2	Collar	073-209
11	9 3 7 7	4	Washer	K207-060231
12	9 3 7 8	2	Bolt (M6×25 W SW)	K054-060250
13	6 4 1 5	1	Drum	136-141
14	5 0 1 9	1	Plate	030-108
15	9 3 2 1	2	Flange nut (M5)	K162-050000
16	5 0 6 9	5	U-nut (M6)	K164-060000
17	6 4 1 7	1	Upper case	136-143
18	5 0 9 6	1	Grease nipple	R055-001000
19	9 3 3 2	1	Bearing (#608Z)	K351-006080
20	6 4 2 3	1	Bearing (#6001 2RS)	K354-060010
21	6 4 2 5	1	Pinion	136-142
22	5 0 6 0	3	Bolt (M6×15 W SW)	K054-060150
23	9 3 7 9	1	Gear, crank, ass'y	136-003
24	5 0 4 4	2	Screw (M5×20)	K011-050200
25	9 3 2 8	2	Rod, ass'y	118-100
26	6 4 1 2	1	Snap ring	K283-026000
28	5 0 3 0	2	Screw (M3×5)	K010-030050
29	5 0 3 1	1	Rod slide plate	030-110
30	9 3 3 2	2	Bearing (#608Z)	K351-006080
31	9 3 3 3	1	Felt	118-101
32	9 3 3 5	1	Lower case	118-104
33	9 3 3 6	5	Bolt (M5×16 W SW)	K054-050160
34	9 3 3 7	2	Bolt (M5×20 W SW)	K054-050200
35	9 3 8 0	2	Bolt (M6×20 SW PW)	K055-060202
36	5 1 1 4	1	Washer	K207-060103
37	9 0 8 6	1	Handle rubber	008-345
38	9 3 8 1	1	Right handle	136-190
40	9 3 8 2	1	Plate, holding	136-118
41	5 0 9 2	1	Upper blade	030-106
42	5 0 9 1	1	Lower blade	030-107
43	5 0 7 1	2	Screw (M6×22)	008-248
44	5 0 7 0	1	Bolt (M6×29)	008-249
45	5 0 2 8	4	Washer	008-250
46	5 0 7 2	2	Bolt (M6×19)	008-247
47	5 0 8 9	1	End reinforce	027-145
51	9 3 8 3	1	Label	A052-145004
52	8 1 6 0	1	Screw (M5×25 W SW)	K016-050250
53	9 3 8 4	1	Stay switch	136-115
54	5 0 1 6	1	Nut (M5)	K150-050000
55	9 3 8 5	1	Switch ass'y	008-373
56	9 3 8 6	1	Corrugated tube	008-371

HT250-751 PARTS LIST

(U. S. SPEC.)

ENGINE BODY



KEY No.	OUR PART No.	QTY.		DESCRIPTION	PART No.
		HT250	HT751		
1		1	1	Crankcase assy (INCL.2,3,6,7)	5251003000-3
2		2	2	Ball bearing	0600129850
3		2	2	Oil seal	0440129970
4		1	1	Cylinder	5251500201
5		1	1	Gasket,cylinder	5231502304
6		1	1	Gasket,crankcase	5231502202
7		3	3	Screw (M5 × 25 SW)	0140059520
8		2	2	Socket head bolt (M5 × 20 W,SW)	0119059730
11		1	1	Crankshaft compl	5252001001
12		1	1	Needle roller bearing	0610089990-1
13		1	1	Piston	5232501902
14		1	1	Ring,piston	5242500701
15		1	1	Pin,piston	5232502600
18		2	2	Clip	0565089970
20		1	1	Muffler,exhaust	5253071000
21		1	1	Insulator compl	5233014000-2
22		1	1	Cover,muffler	5253500500
23		1	1	Gasket,muffler	5253500102
24		1	1	Gasket,insulator	5253500200
30		2	2	Screw (M5 × 25 W,SW)	0140059500
32		1	1	Screw assy (M5 × 16 W,SW)	0140059290
34		2	2	Socket head bolt (M5 × 50)	0119059550
35		1	1	Starter,rewind (INCL.36~44)	5255052000
36		1	1	Starter knob	5225004020
37		1	1	Spiral spring	5195002050
38		1	1	Starter,rope	5255016020
39		1	1	Reel	5195002030
40		1	1	Collar	5195002110
41		1	1	Damper	5255001040
42		1	1	Swing arm	5195002100
43		1	1	Set screw	5195002060
44		1	1	Pully	5255505900
50		1	1	Housing,blower	5255505700
51		1	1	Cover,cylinder	5255500101
53		1	1	Spacer,cover	5503503001
54		1	-	Label,model	6019509600
54		-	1	Label,model	6019509500
55		3	3	Screw assy (M5 × 18 W,SW)	0140059350
56		1	1	Screw (M5 × 14)	0140059490
57		4	4	Screw assy (M4 × 12 W,SW)	0140049760
60		1	1	Tank,fuel compl	5256025000-2
61		1	1	Filter	5236503900
62		1	1	Tube,assy	5256012001
63		1	1	Plate,tank compl	5256002000
65		2	2	Tapping screw (M5 × 18)	0150059800
67		1	1	Flywheel	5257041010
68		1	1	Coil ignition	5257001021-2
69		1	1	Cap,plug	5237503301-1
70		1	1	Spring,plug cap	0654009931
71		1	1	Plug,spark	0650149810
73		1	1	Grommet	5257500300

