



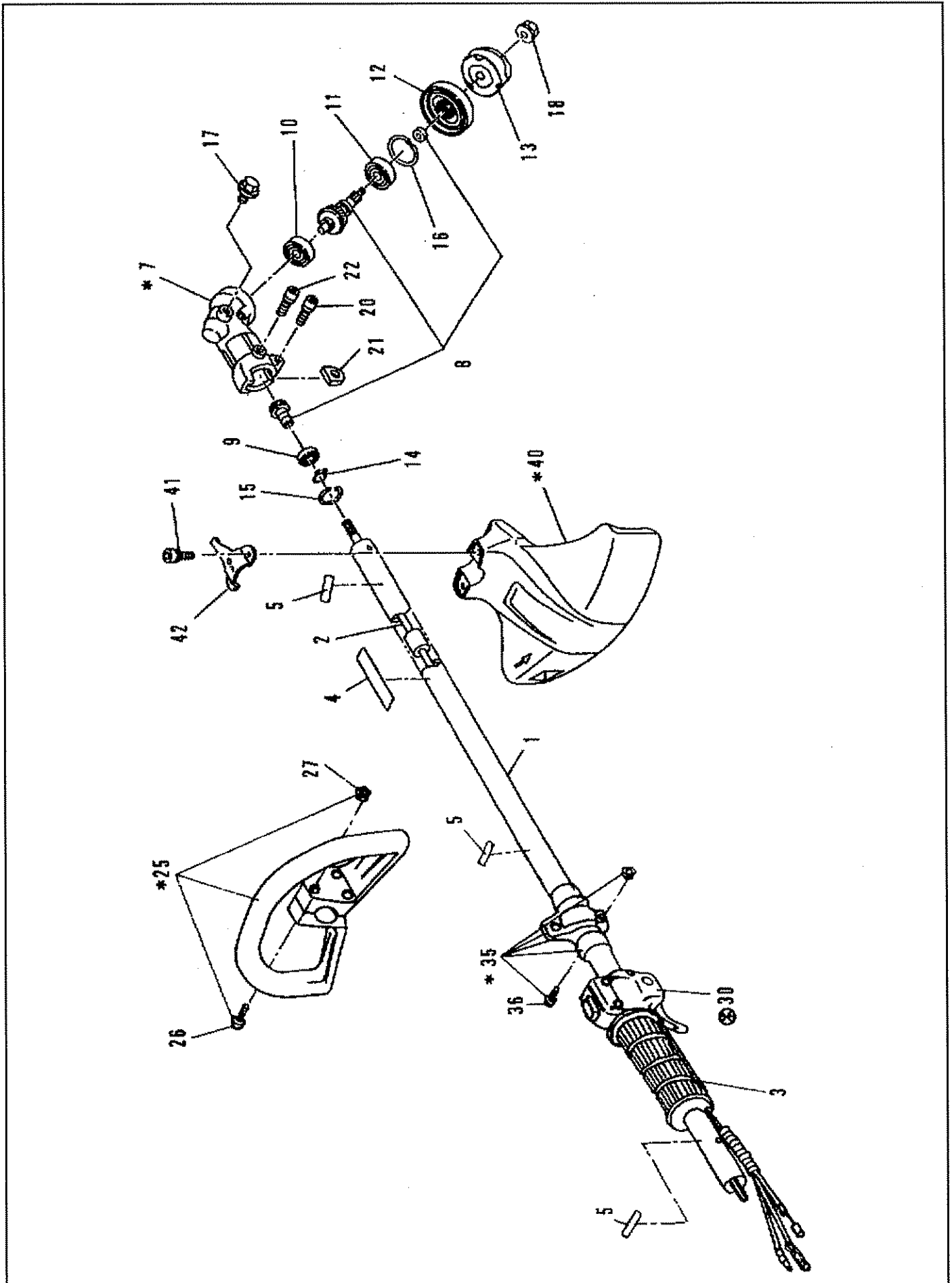
**BRUSH CUTTER**

**MODEL NB020A**

**(U.S. SPEC.)**

**PARTS MANUAL**

MACHINE BODY

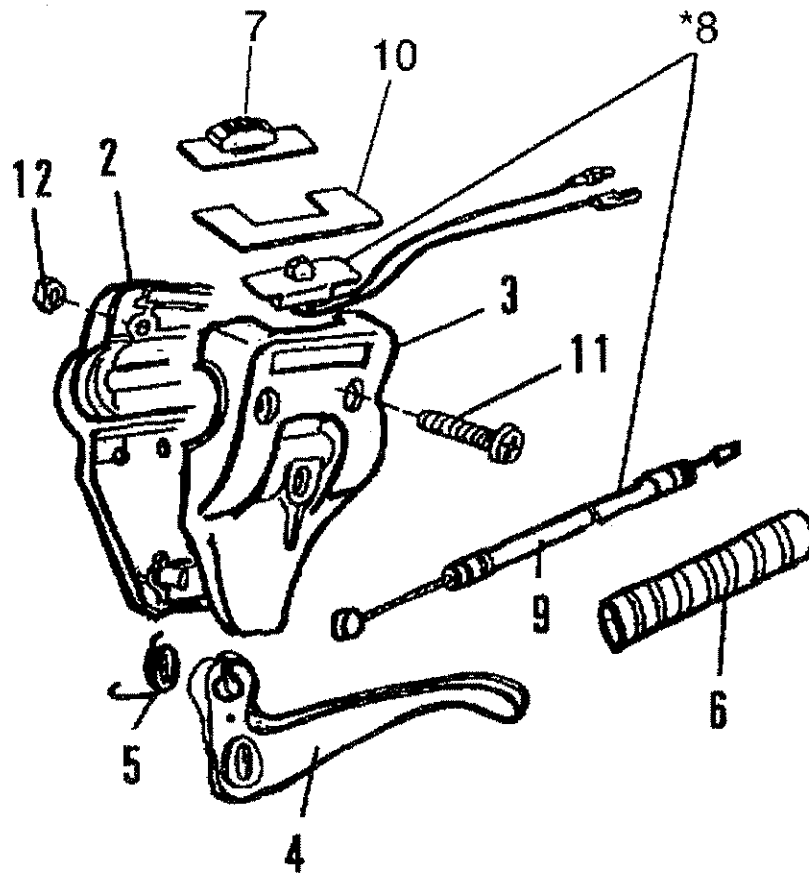


**MACHINE BODY**

KEY NO.	PART NO.	QTY.	DESCRIPTION	OUR PART NO.
1	6191017000	1	Pipe, Shaft Compl.	6740
2	6191501400	1	Shaft	6745
3	6214500400	1	Grip	6721
4	6199035010	1	Label, Caution	6755
5	6259514700-1	3	Label, Caution	9862
*7	6193001005	1	Case, Gear Assembly (Incl.8-21)	6013
8	6193003001	1	Shaft, Cutter Set	6021
9	6212500300	1	Ball Bearing (#609ZZ)	6008
10	0600069990	1	Ball Bearing (#626ZZ)	5310
11	0600109910	1	Ball Bearing (#6000DDU)	6031
12	6198500102	1	Washer, Receive	5539
13	6218003000	1	Washer, Clamp Compl.	6112
14	0031508000	1	Snapping, Outer (ø8)	6130
15	0031424000	1	Snapping, Inner (ø24)	2318
16	0031426000	1	Snapping, Inner (ø26)	6129
17	6253011012	1	Bolt, Oil (M6x9 W)	9860
18	6258505001	1	Nut	7312
20	0119059890	1	Socket Head Bolt (M5x25 SW)	6268
21	6251501400	1	Gasket	5514
22	0119059490	1	Socket Head Bolt (M5x14 SW)	9816
*25	6194006000	1	Handle Assembly	6034
26	0043505300	1	Screw Assembly (M5x30 SW)	6035
27	0021805000	3	Nut	7020
®30	6195018000	1	Control Lever Assembly	7084
*35	6194002000	1	Hanger Assembly (Incl.36)	7085
36	0043605250	1	Screw Assembly (M5x25 W SW)	3577
*40	6218008003-1	1	Protector Assembly (Incl.41,42)	8100
41	0011706300	2	Bolt Assembly, Crossresess (M6x30 W SW)	5440
42	6418500303-1	1	Clamp, Protector	6283

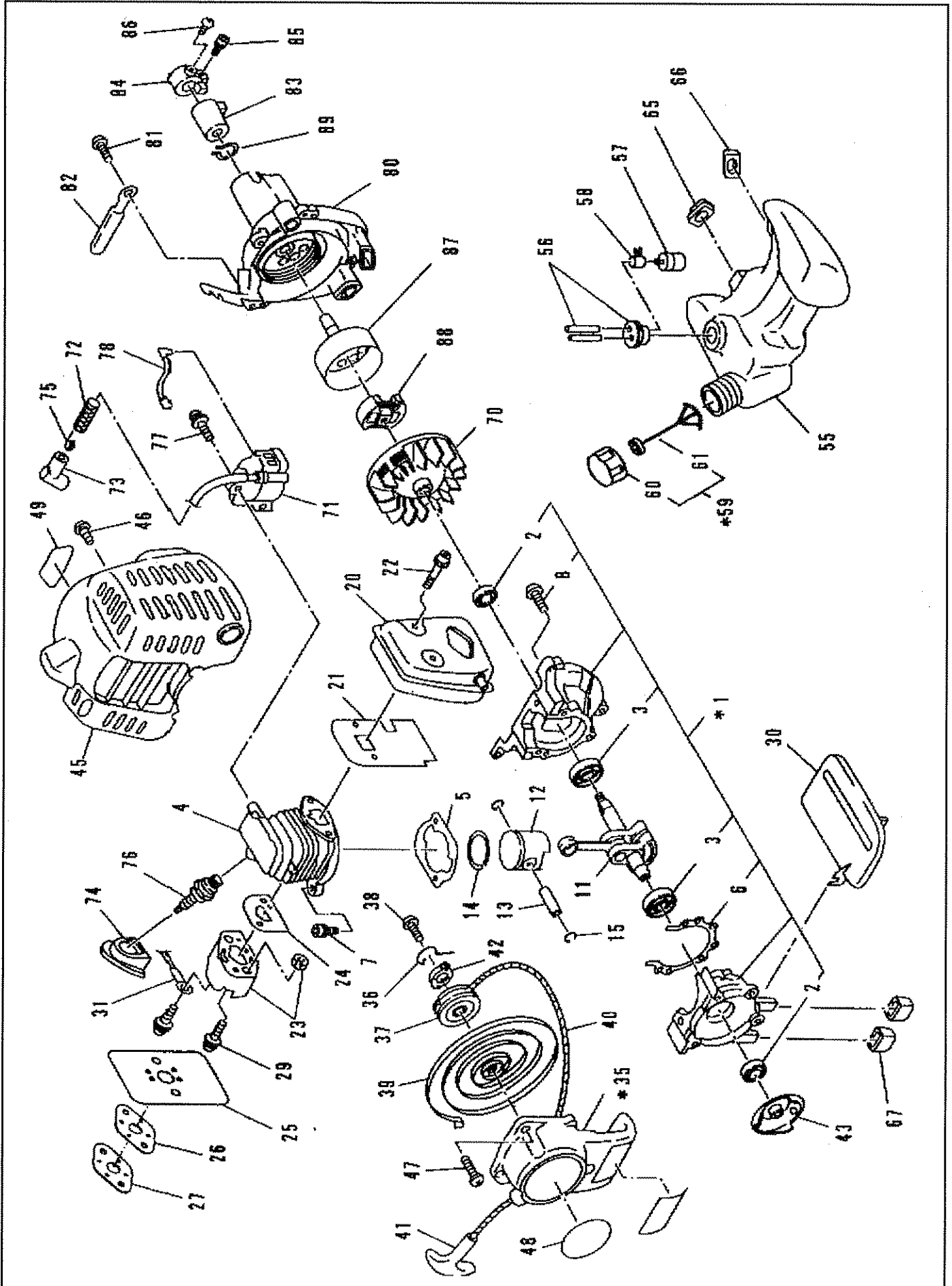
CONTROL LEVER ASSEMBLY

\*30



KEY NO.	PART NO.	QTY.	DESCRIPTION	
*30	6195018000	1	Control Lever Assembly	7084
2	6195018010	1	Case 1	7086
3	6195018020	1	Case 2	7087
4	6195018030	1	Lever	7091
5	6195018040	1	Spring	7092
6	6195018050	1	Tube	7121
7	6195018060	1	Lever, Switch	7122
*8	6195018110	1	Wire set (Incl.9)	7142
9	6195018120	1	Control Cable	7143
10	6195018130	1	Plate, Switch	7144
11	0043505300	3	Screw Assembly (M5x30 SW)	6035
12	0021805000	3	Nut (M5)	7020

ENGINE BODY



## NB020A PARTS LIST

U.S. SPEC.

## ENGINE BODY

KEY NO.	PART NO.	QTY.	DESCRIPTION	OUR PART NO.
*1	5191004001	1	Crankcase Assembly (Incl. 2,3,6,8)	5559
2	0440109980	2	Oil Seal	7148
3	0600109980	2	Ball Bearing	1386
4	5191500702	1	Cylinder	5561
5	5191500301	1	Gasket, Cylinder	5517
6	5191500400	1	Gasket, Crankcase	5518
7	0119059730	2	Socket Head Bolt (M5x20 W SW)	5333
8	0140059520	3	Screw (M5x25)	5341
11	5192001001-1	1	Crankshaft Compl.	5562
12	5192500800-1	1	Piston	5563
13	5192500500	1	Pin, Piston	5564
14	5192500600	1	Ring, Piston	5565
15	0565089970	2	Clip	5330
20	5193001002	1	Muffler, Exhaust	5566
21	5193500002	1	Gasket, Muffler	5568
22	0119059520	2	Socket Head Bolt (M5x40 W)	9932
23	5233014000-2	1	Insulator Compl.	5484
24	5193500500	1	Gasket, Insulator	5520
25	5193500401	1	Gasket, Carburetor	5521
26	5103503500	1	Spacer, Carburetor	5535
27	5103502800	1	Gasket, Air Cleaner	6686
29	0140059500	2	Screw Assembly (M5x25 W SW)	5341
30	5193500101	1	Plate, Muffler	5570
31	6165500201	1	Wire (L65)	6907
*35	5195001001	1	Starter, Rewind (Incl.36-43)	5571
36	5195002100	1	Swing Arm	9943
37	5195002030	1	Reel	5573
38	5195002060	1	Set Screw	9942
39	5195002050	1	Spiral Spring	5575
40	5255016020	1	Starter Rope	5576
41	5225004020	1	Starter Knob	7614
42	5195002110	1	Collar	5577
43	5195500000	1	Pulley	5578

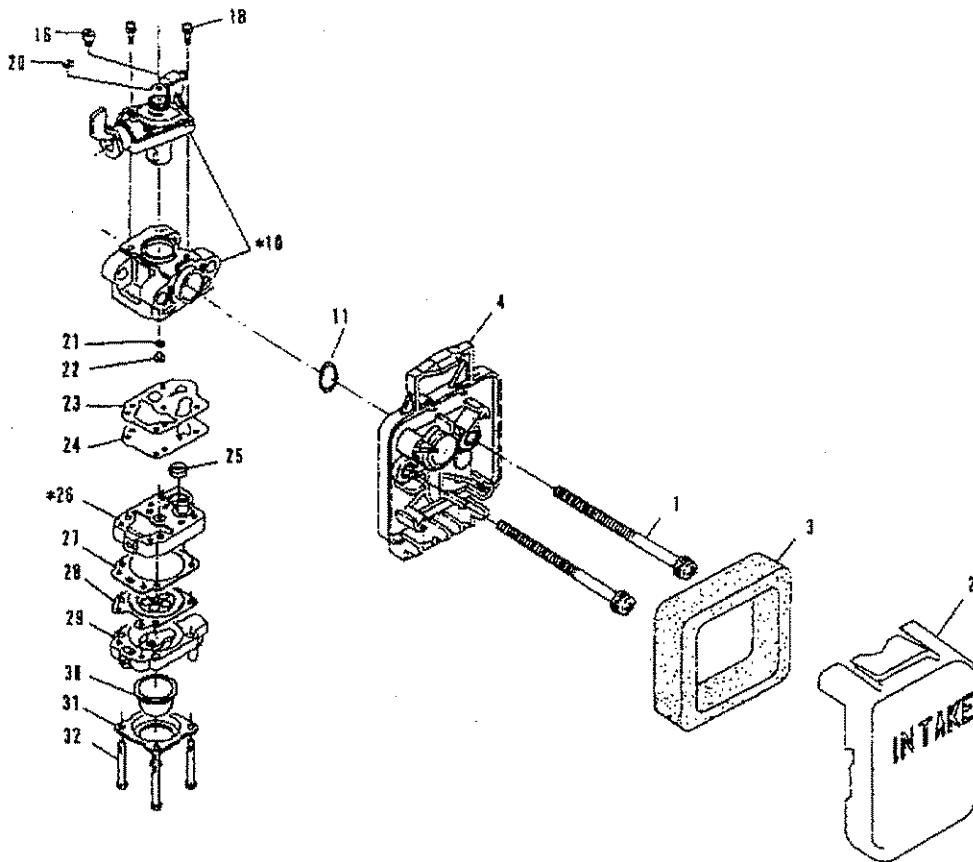
NB020A PARTS LIST

U.S. SPEC.

ENGINE BODY

KEY NO.	PART NO.	QTY.	DESCRIPTION	OUR PART NO.
45	5195500103	1	Cover, Cylinder	5579
46	6601500500	1	Tapping Screw (5x14)	5580
47	0043604250	3	Screw Assembly (M4x25 W SW)	9945
48	6199511600	1	Label, Model (NB020)	5591
49	5219500200	1	Label, Trade Mark	9356
55	5196500003	1	Tank, Fuel	5583
56	0851139953	1	Tube	5522
57	5236503900	1	Filter	3112
58	0561059990	1	Hose Clamp	3114
59	5256059000	1	Cap, Fuel Tank Assembly (Incl.60,61)	9990
60	5256058000	1	Cap, Fuel Tank Assembly	9000
61	5256067000	1	Strap Assembly	9010
65	5036500200-1	1	Plate	6161
66	5036500300-1	1	Plate	6162
67	5216500200	2	Damper	6160
70	5197001012-1	1	Flywheel	5584
71	5197001020	1	Coil, Ignition	5523
72	0851119930	1	Tube (L110)	5524
73	0655009940	1	Cap, Plug	1051
74	5197500100	1	Cover, Plug Cap	5526
75	0654009931	1	Spring, Plug Cap	6169
76	0650149810	1	Plug, Spark (BM7A)	BM7A
77	0140049920	2	Screw (M4x20 W SW)	5351
78	5257018001-1	1	Wire Compl.	9965
80	6195004002-1	1	Case, Clutch Compl.	5585
81	0150059980	3	Tapping Screw (M5x20)	3691
82	0566059980	1	Clamp	9959
83	6191500203	1	Damper, Pipe	5586
84	6191002002	1	Bracket, pipe Compl.	5587
85	0119059880	1	Socket Head Bolt (M5x25)	5588
86	6601500500	1	Tapping Screw (5x14)	5580
87	6192001001	1	Drum, Clutch Compl.	5589
88	6192002003	1	Clutch	5529
89	0031510000	1	Snapping, Outer (ø10)	5359

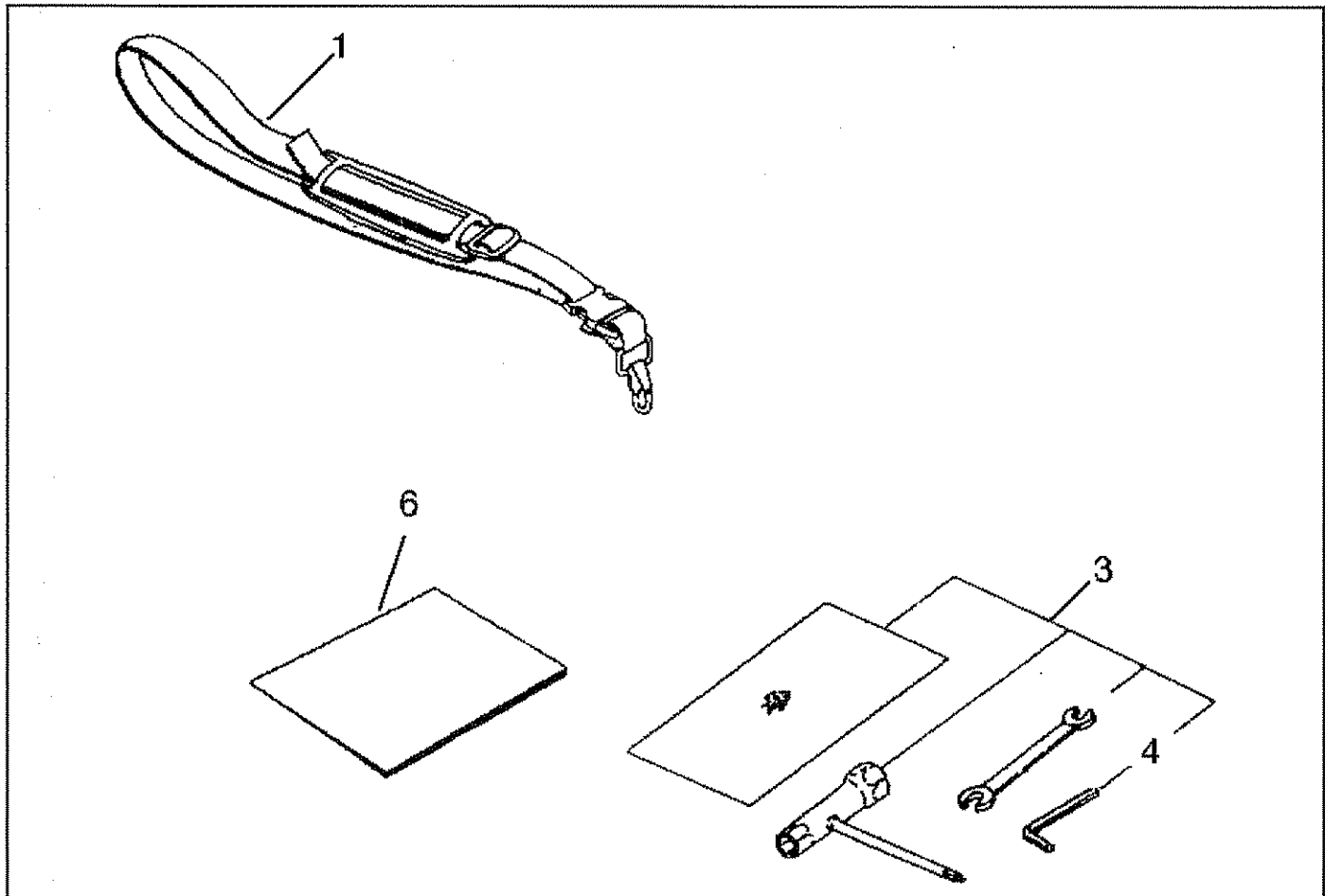
**CARBURETOR & AIR CLEANER**



KEY NO.	PART NO.	QTY.	DESCRIPTION	OUR PART NO.
1	0043305650	2	Screw Assembly (M5x65 W, SW)	5590
2	5253020010	1	Cover Air Cleaner	9011
3	523004010	1	Filter Air	6568
4	5253003020	1	Housing Assembly Air Cleaner	9012
*10	5196017000	1	Carburetor (WYL-Incl.16-32)	9013
11	5236061000	1	Ring-O	5533
16	5236018040	1	Swivel	5418
18	5206008030	1	Screw	5419
20	5316005120	1	Ring-Spring retaining	6511
21	5246001010	1	Ring-O	6510
22	5196002020	1	Jet (#34.5)	5597
23	5246001030	1	Gasket- Pump	6498
24	5246001040	1	Diaphragm - Pump	6499
25	5016004010	1	Screw - Inlet	6508
*26	5236046130	1	Body Assembly Pump (Incl.25)	3861
27	5236046040	1	Gasket -Met'G Diaphragm	5531
28	5316005250	1	Diaphragm Assembly - Met'G	3171
29	5236046060	1	Body Assembly - Air Purge	3863
30	5216001150	1	Pump - Primer	6504
31	5236046050	1	Cover - Primer Pump	6790
32	5236046010	4	Screw	5602



STANDARD ACCESSORY



KEY NO.	PART NO.	QTY.	DESCRIPTION	OUR PART NO.
1	6197004000	1	Band Assembly	9014
*3	6199032000	1	Tool	9015
4	0717049990	1	Wrench, Socket Head (M5)	8096
6	6199511800	1	Instruction Manual	





**Carswell Import & Marketing Associates, Inc. / Carswell Distributing Company**  
3750 N. Liberty Street, P.O. Box 4193  
WINSTON-SALEM, NORTH CAROLINA 27115

Specifications subject to change without notice.