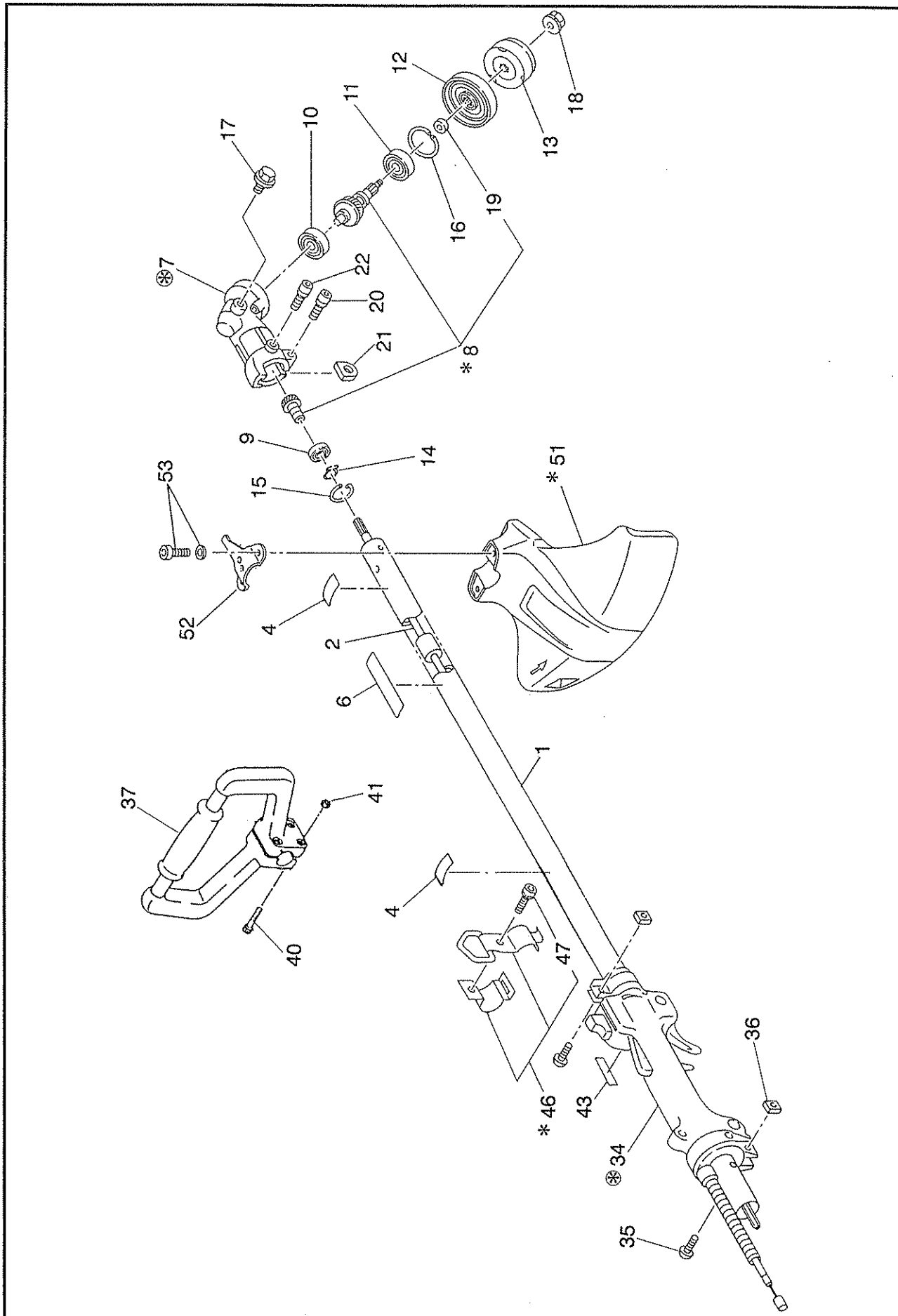




GRASS TRIMMER

Model NB2001 (A)

PARTS MANUAL

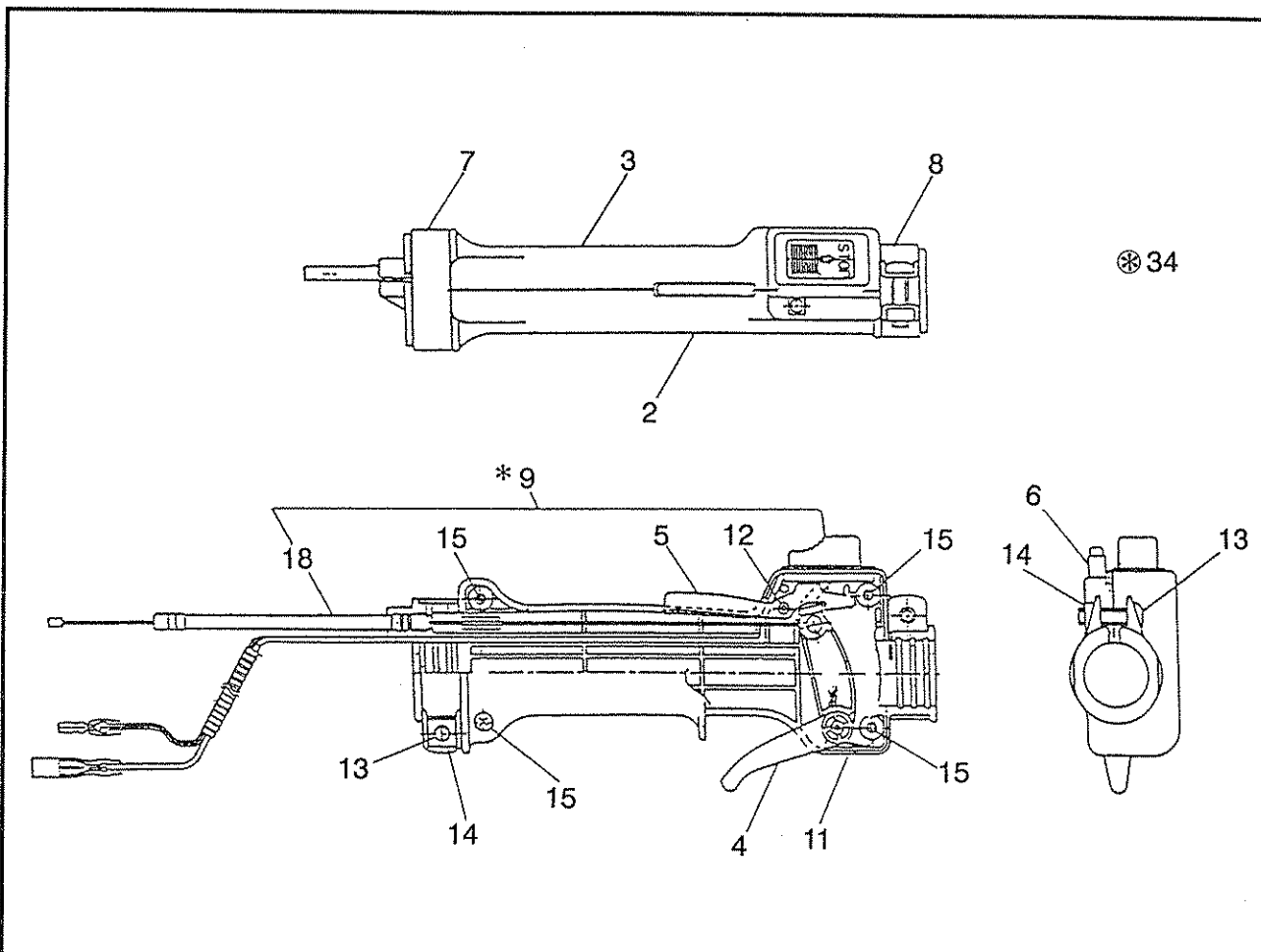


MACHINE BODY

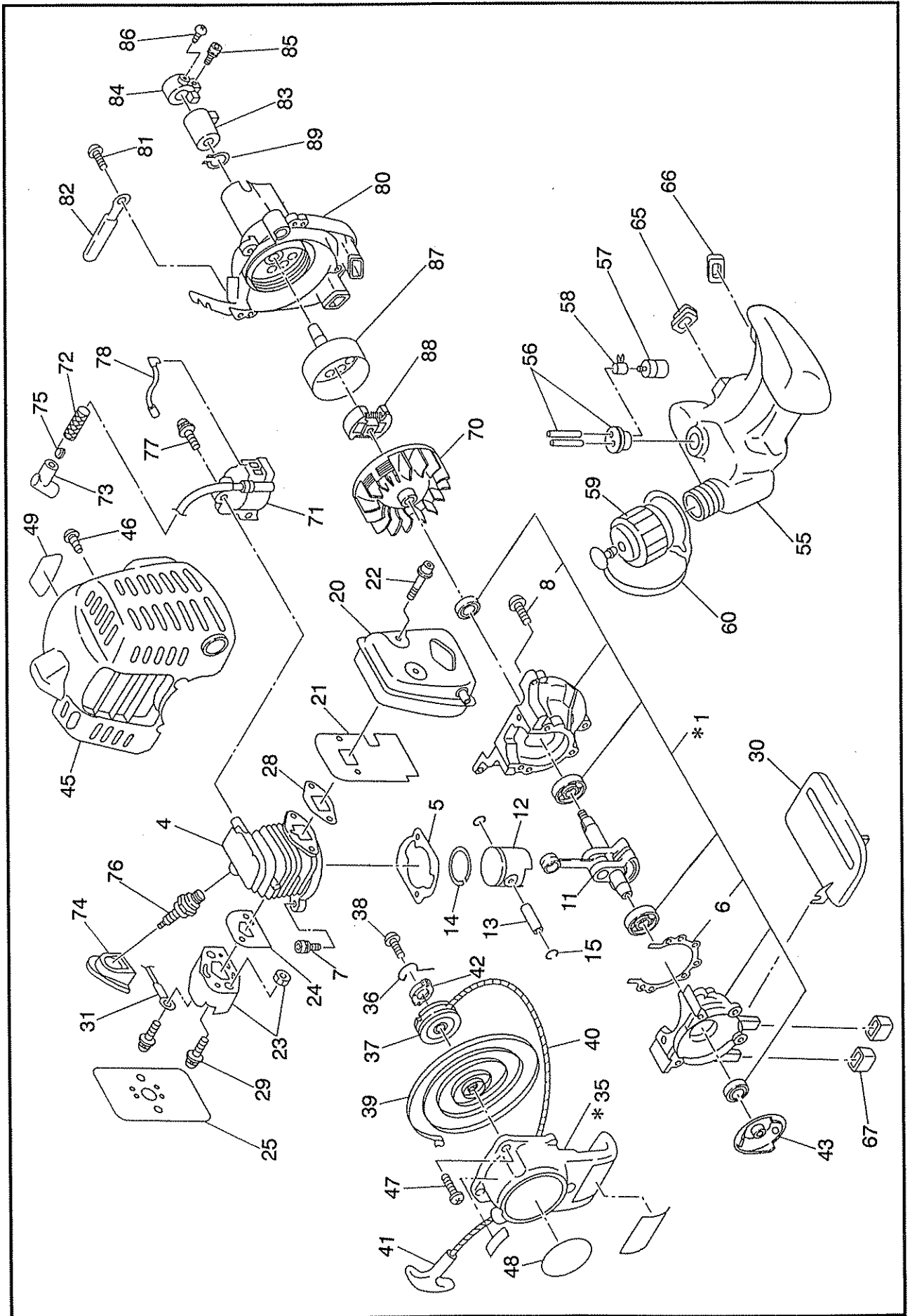
NB2001 (A) PARTS LIST

(U.S. SPEC.)

KEY NO.	PART NO.	QUANTITY	DESCRIPTION	OUR PART NO.
1	6191001001	1	Pipe, Shaft Compl	5525
2	6191500400	1	Shaft	5433
4	6259514700-1	2	Label, Caution	5434
6	6199502100	1	Label, Caution	5534
⑦	6193001003	1	Case, Gear Assembly (Incl. 8-21)	5536
* 8	6193003000	1	Shaft, Cutter Set (Incl. 19)	5537
9	6212500300	1	Ball Bearing (#609zz)	6008
10	0600069990	1	Ball Bearing (626zz)	5310
11	0600109930	1	Ball Bearing (#6000DDU)	5538
12	6198500102	1	Washer, Receive	5539
13	6218003000	1	Washer, Clamp Compl.	6112
14	0031508000	1	Snapring, Outer (ϕ 8)	6130
15	0031424000	1	Snapring, Inner (ϕ 24)	2318
16	0031426000	1	Snapring, Inner (ϕ 26)	6129
17	6253011012	1	Bolt, Oil (M6 x 9 W)	5309
18	6258505000	1	Nut	2325
20	0119059890	1	Socket Head Bolt (M5 x 25 Sw)	6268
21	6251501400	1	Gasket	5514
22	0119059900	1	Socket Head Bolt (M5 x 12 SW)	6128
③ 34	6195007000	1	Control Lever Assembly (Incl. 35,36)	5543
35	6415011130	2	Screw (M6 x 20)	6758
36	6415011140	2	Nut (M6)	6759
37	6214500001	1	Handle	6120
40	0119059860	4	Socket Head Bolt (M5 x 33)	6126
41	0022705000	4	Nut (M5)	1703
43	0736259950	1	Label	6050
* 46	6197002001	1	Hanger Assembly (Incl.47)	5548
47	0119059850	1	Socket Head Bolt (M5 x 14 SW)	6125
* 51	6218008003	1	Protector Assembly. (Incl. 52,53)	8100
52	6418500303	1	Clamp, Protector	6283
53	0011706300	2	Bolt Assembly, Crossrecess (M6 x 30 W SW)	5440



KEY NO.	PART NO.	QUANTITY	DESCRIPTION	OUR PART NO.
⊗34	6195007000	1	Control Lever Assembly (Incl. 2-20)	5543
2	6215016010	1	Case 1	5462
3	6215016020	1	Case 2	5463
4	6255027030	1	Lever	5464
5	6255027040	1	Lever	5465
6	6415011050	1	Stopper	6760
7	6415011060	1	Bracket	6752
8	6255027050	1	Bracket	5466
*9	6195003010	1	Wire Set (Incl. 18,20)	5551
11	6415011110	1	Spring	6756
12	6415011120	1	Spring	6757
13	6415011130	2	Screw	6758
14	6415011140	2	Nut	6759
15	6415011210	4	Tapping Screw	6762
18	6195003020	1	Wire Compl.	5515

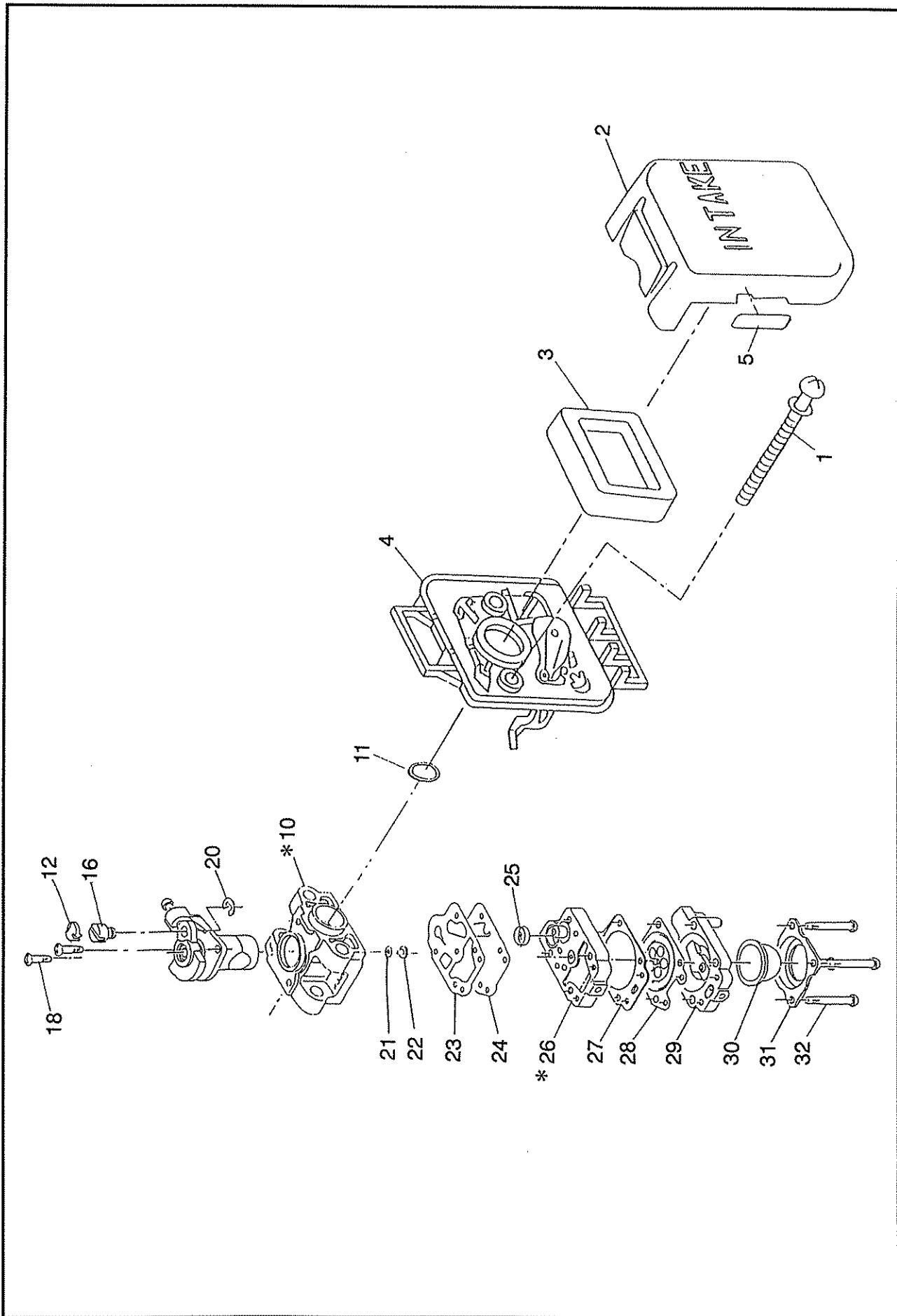


ENGINE BODY

NB2001 (A) PARTS LIST

(U.S. SPEC.)

KEY NO.	PART NO.	QUANTITY	DESCRIPTION	OUR PART NO.
* 1	5191004000	1	Crankcase Assembly (Incl. 2,3,6,8)	5559
4	5191500702	1	Cylinder	5561
5	5191500301	1	Gasket, Cylinder	5517
6	5191500400	1	Gasket, Crankcase	5518
7	0119059730	2	Socket Head Bolt (M5 x 20 W Sw)	5333
8	0140059520	3	Screw (M5 x 25)	5341
11	5192001001	1	Crankshaft Compl.	5562
12	5192500800	1	Piston	5563
13	5192500500	1	Pin, Piston	5564
14	5192500600	1	Ring, Piston	5565
15	0565089970	2	Clip	5330
20	5193001002	1	Muffler, Exhaust	5566
21	5193500001	1	Insulator, Muffler	5519
22	0119059520	2	Socket Head Bolt (M5 x 40 W)	5567
23	523301400-1	1	Insulator Compl.	6537
24	5193500500	1	Gasket, Insulator	5520
25	5193500401	1	Gasket, Carburetor	5521
28	5013500200	1	Gasket, Muffler	1621
29	0140059500	2	Screw Assembly (M5 x 25 W SW)	5569
30	5193500101	1	Plate, Muffler	5570
31	6165500201	1	Wire (L65)	6907
* 35	5195001001	1	Starter, Rewind (Incl. 36-43)	5571
36	5195002100	1	Swing Arm	5572
37	5195002030	1	Reel	5573
38	5195002060	1	Set Screw	5574
39	5195002050	1	Spiral Spring	5575
40	5255016020	1	Starter Rope	5576
41	5225004020	1	Starter Knob	7614
42	5195002110	1	Collar	5577
43	5195500000	1	Pulley	5578
45	5195500103	1	Cover, Cylinder	5579
46	6601500500	1	Tapping Screw (5 x 14)	5580
47	0043604250	3	Screw Assembly (M4 x 25 W SW)	5581
48	6199500400	1	Label, Model	5582
49	5219500200	1	Label, Trade Mark	3699



Carswell Import & Marketing Associates, Inc. / Carswell Distributing Company
3750 N. Liberty Street, P.O. Box 4193
WINSTON-SALEM, NORTH CAROLINA 27115

Specifications subject to change without notice.