

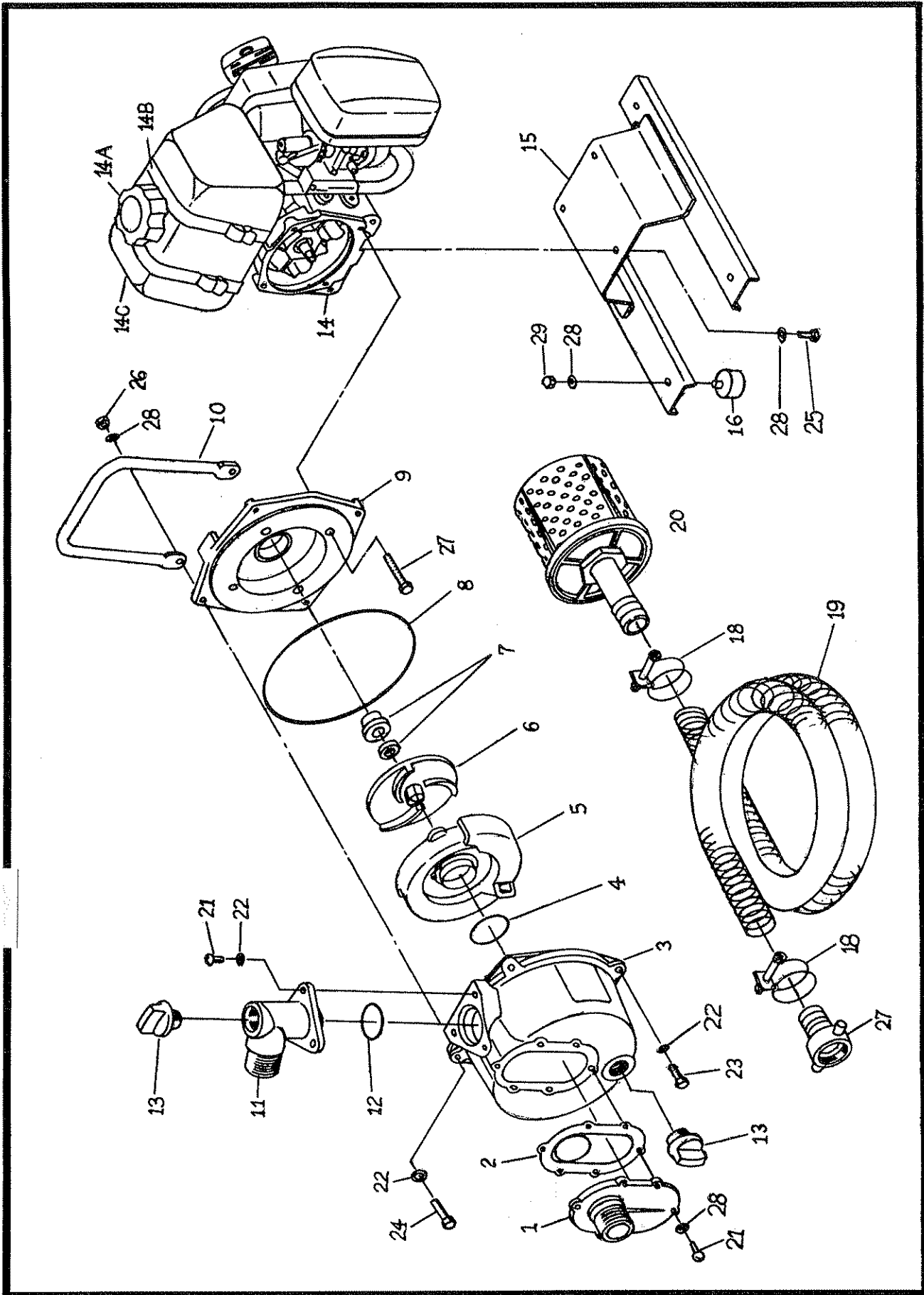


**WATER PUMP**

*old*

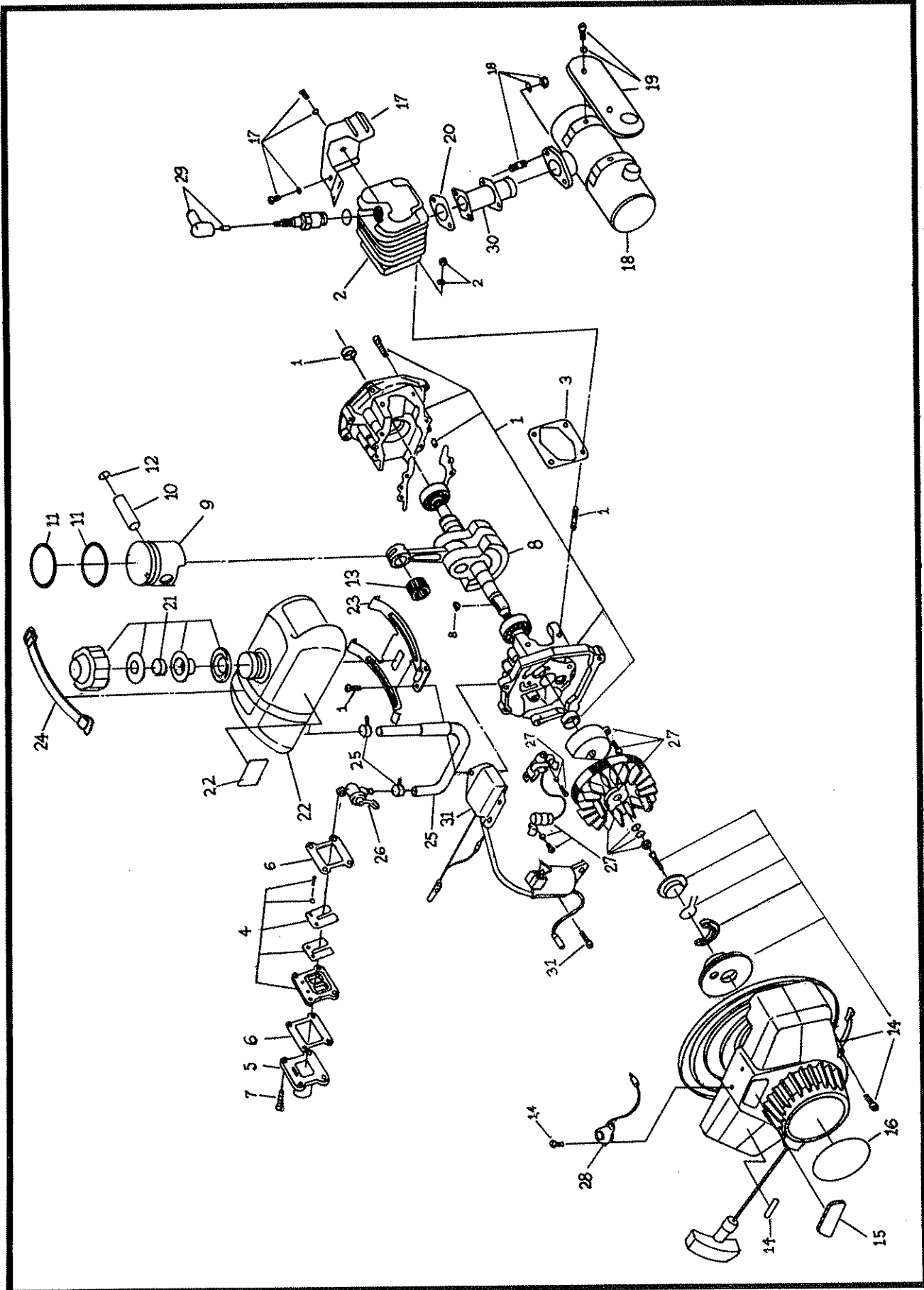
**Model SD04-2B**

**PARTS MANUAL**



| Ref. No. | Mfg.'s No.  | Part Name                                 | Our Part No. | Qty. | Ref. No. | Mfg.'s No. | Part Name | Our Part No. | Qty. |
|----------|-------------|-------------------------------------------|--------------|------|----------|------------|-----------|--------------|------|
| 1        | 156 2005-1  | Inlet Flange                              | 2004         | 1    |          |            |           |              |      |
| 2        | 156 2007    | Flapper Valve                             | 2005         | 1    |          |            |           |              |      |
| 3        | 156 2001    | Pump Casing                               | 2006         | 1    |          |            |           |              |      |
| 4        | 150 2010    | "O" Ring, volute                          | 2007         | 1    |          |            |           |              |      |
| 5        | 150 2003    | Volute                                    | 2008         | 1    |          |            |           |              |      |
| 6        | 150 2004    | Impeller                                  | 2009         | 1    |          |            |           |              |      |
| 7        | 150 2011    | Mechanical Seal                           | 2010         | 1    |          |            |           |              |      |
| 8        | 150 2009    | "O" Ring, pump casing                     | 2011         | 1    |          |            |           |              |      |
| 9        | 156 2002    | Adapter, Pump/Engine                      | 2012         | 1    |          |            |           |              |      |
| 10       | 156 2008-1  | Handle                                    | 2013         | 1    |          |            |           |              |      |
| 11       | 156 2015-1  | Discharge flange                          | 2014         | 1    |          |            |           |              |      |
| 12       | 156 2014    | "O" Ring, discharge flange                | 2015         | 1    |          |            |           |              |      |
| 13       | 150 2012    | Plug, fill or drain,<br>½" NPT            | 2016         | 2    |          |            |           |              |      |
| 13A      | 150 2012-1  | "O" Ring, fill or drain plug              | 2017         | 2    |          |            |           |              |      |
| 14       | EC04-3      | Engine, 1 HP, 2-cycle                     | 2018         | 1    |          |            |           |              |      |
| 14A      | EC02-083    | Cap, fuel tank                            | 2019         | 1    |          |            |           |              |      |
| 14B      | EC04-304a   | Strap, fuel tank                          | 1259         | 2    |          |            |           |              |      |
| 14C      | EC04-6131   | Fuel tank, 1 qt.                          | 2020         | 1    |          |            |           |              |      |
|          | EC04-0371   | Spark arrester screen<br>(not shown)      | 2021         | 1    |          |            |           |              |      |
|          | *           | Spark plug (not shown)                    |              | 1    |          |            |           |              |      |
| 15       | 156 2006A   | Base, Pump/Engine                         | 2022         | 1    |          |            |           |              |      |
| 16       | 156 2006-1  | Rubber foot                               | 2023         | 4    |          |            |           |              |      |
| 17       | 150 2017    | Coupling, 1" FPT                          | 2024         | 2    |          |            |           |              |      |
| 17A      | 150 2017-1  | Gasket, hose coupling<br>(not shown)      | 2025         | 2    |          |            |           |              |      |
| 18       | 150 2018    | Hose clamp, 1-¼"                          | 2026         | 2    |          |            |           |              |      |
| 19       | 150 2019    | Suction (Inlet) hose,<br>PVC, 1" × 10 ft. | 2027         | 1    |          |            |           |              |      |
| 20       | 150 2020    | Strainer, suction                         | 2028         | 1    |          |            |           |              |      |
| 21       | 0431 0615 0 | Screw, pan head, M6×15                    | 2029         | 9    |          |            |           |              |      |
| 22       | 0310 0600 0 | Washer, flat, M6                          | 2030         | 7    |          |            |           |              |      |
| 23       | 0165 0620 0 | Bolt, M6×20                               | 2030         | 2    |          |            |           |              |      |
| 24       | 0165 0630 0 | Bolt, M6×30                               | 2032         | 2    |          |            |           |              |      |
| 25       | 0165 0615 0 | Bolt, M6×15                               | 2033         | 3    |          |            |           |              |      |
| 26       | 0218 0600 0 | Nut, M6                                   | 2034         | 2    |          |            |           |              |      |
| 27       | 0719 0699 0 | Bolt, socket head, M6×40                  | 2035         | 4    |          |            |           |              |      |
| 28       | 0320 0600 0 | Washer, lock, M6                          | 2036         | 15   |          |            |           |              |      |
| 29       | 0777 0600 0 | Cap nut, M6                               | 2037         | 4    |          |            |           |              |      |
|          |             |                                           |              |      |          |            |           |              |      |
|          |             |                                           |              |      |          |            |           |              |      |
|          |             |                                           |              |      |          |            |           |              |      |
|          |             |                                           |              |      |          |            |           |              |      |

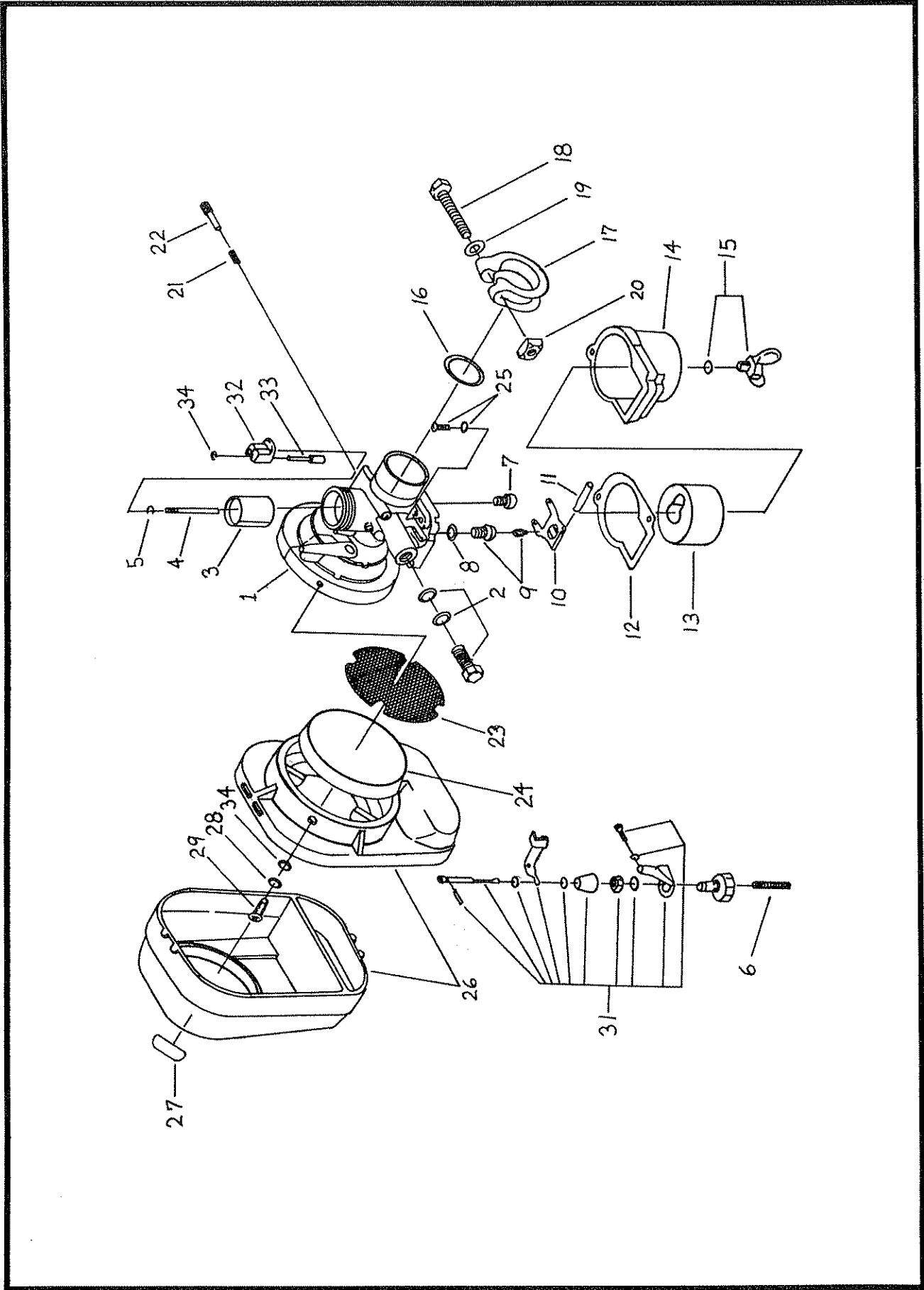
\* Available locally at automotive or motorcycle parts shops.



Engine body

SD04-2B

| Ref. No. | Mfg.'s No.   | Part Name                | Our Part No.    | Qty. | Ref. No. | Mfg.'s No. | Part Name | Our Part No. | Qty. |
|----------|--------------|--------------------------|-----------------|------|----------|------------|-----------|--------------|------|
| 1        | EC04-072     | Crank case assembly      | 1210            | 1    |          |            |           |              |      |
| 2        | EC04-031i    | Cylinder <i>7626</i>     | 2038            | 1    |          |            |           |              |      |
| 3        | EC03-109a    | Cylinder packing         | 1218            | 1    |          |            |           |              |      |
| 4        | EC03-091     | Reed assembly            | 1219            | 1    |          |            |           |              |      |
| 5        | EC03-104b    | Carburetor bracket       | 1220            | 1    |          |            |           |              |      |
| 6        | EC03-115     | Reed bracket packing     | 4014            | 2    |          |            |           |              |      |
| 7        | 0119 05995 0 | Bolt (socket head) M5x18 | 1223            | 4    |          |            |           |              |      |
| 8        | EC04-0210b   | Crankshaft assembly      | 2039            | 1    |          |            |           |              |      |
| 9        | EC04-206/2b  | Piston <i>7630</i>       | <del>1227</del> | 1    |          |            |           |              |      |
| 10       | EC04-207a    | Piston pin               | 1228            | 1    |          |            |           |              |      |
| 11       | EC04-210a    | Piston ring              | 1229            | 2    |          |            |           |              |      |
| 12       | 0565 11999 0 | Clip                     | 1230            | 2    |          |            |           |              |      |
| 13       | 0610 12996 1 | Needle bearing           | 4015            | 1    |          |            |           |              |      |
| 14       | EC04-0510NB  | Recoil starter assembly  | 2040            | 1    |          |            |           |              |      |
| 15       | EC04-5108    | Rubber plug              | 4023            | 1    |          |            |           |              |      |
| 16       | 0739 66987 0 | Label                    | 2041            | 1    |          |            |           |              |      |
| 17       | EC03-5121NB  | Cylinder cover           | 2042            | 1    |          |            |           |              |      |
| 18       | EC04-0365    | Muffler                  | 2043            | 1    |          |            |           |              |      |
| 19       | EC04-3404a   | Muffler cover            | 2044            | 1    |          |            |           |              |      |
| 20       | EC03-114b    | Muffler gasket           | 2045            | 2    |          |            |           |              |      |
| 21       | EC02-083     | Cap, fuel tank           | 4028            | 1    |          |            |           |              |      |
| 22       | EC04-6131    | Fuel tank, 1 qt.         | 4030            | 1    |          |            |           |              |      |
| 23       | EC03-303d    | Bracket, fuel tank       | 4031            | 1    |          |            |           |              |      |
| 24       | EC04-304a    | Strap, fuel tank         | 1259            | 2    |          |            |           |              |      |
| 25       | EC03-6101    | Fuel tubing              | 1260            | 1    |          |            |           |              |      |
| 26       | 0642 00991 1 | Fuel strainer            | 2046            | 1    |          |            |           |              |      |
| 27       | EC04-0701a   | Magneto assembly         | 2047            | 1    |          |            |           |              |      |
| 28       | EC04-0711    | Stop switch              | 1274            | 1    |          |            |           |              |      |
| 29       | KM61-088c    | Plug cap                 | 1275            | 1    |          |            |           |              |      |
| 30       | EC04-0371    | Spark arrester screen    | 2048            | 1    |          |            |           |              |      |
| 31       | EC04-0731    | Speed limiter            | 2049            | 1    |          |            |           |              |      |
| 32       | EC04-028c    | Carburetor assembly      | 2050            | 1    |          |            |           |              |      |
| 33       | EC04-0338    | Air cleaner assembly     | 4064            | 1    |          |            |           |              |      |
| 34       | VM13/98a     | Screen                   | 1331            | 1    |          |            |           |              |      |
| 35       | VM13/121     | Filter                   | 1332            | 1    |          |            |           |              |      |
|          |              |                          |                 |      |          |            |           |              |      |
|          |              |                          |                 |      |          |            |           |              |      |
|          |              |                          |                 |      |          |            |           |              |      |





**Carswell Import & Marketing Associates, Inc. / Carswell Distributing Company**

3750 N. Liberty Street, P.O. Box 4193  
WINSTON-SALEM, NORTH CAROLINA 27115