



HEDGE TRIMMERS

Model HT171

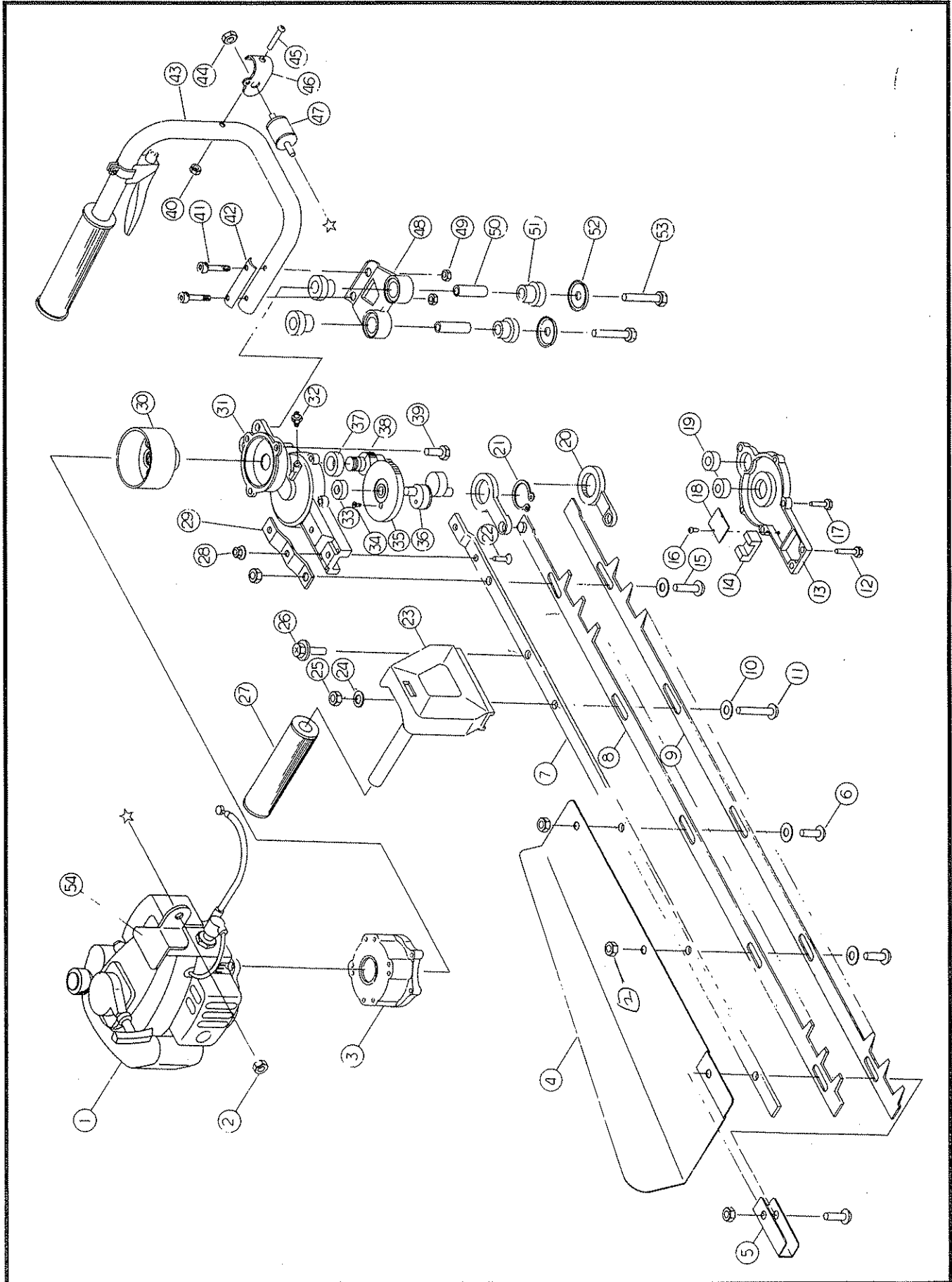
and

Model HT231

PARTS MANUAL

Machine body

Model HT171 & Model HT231



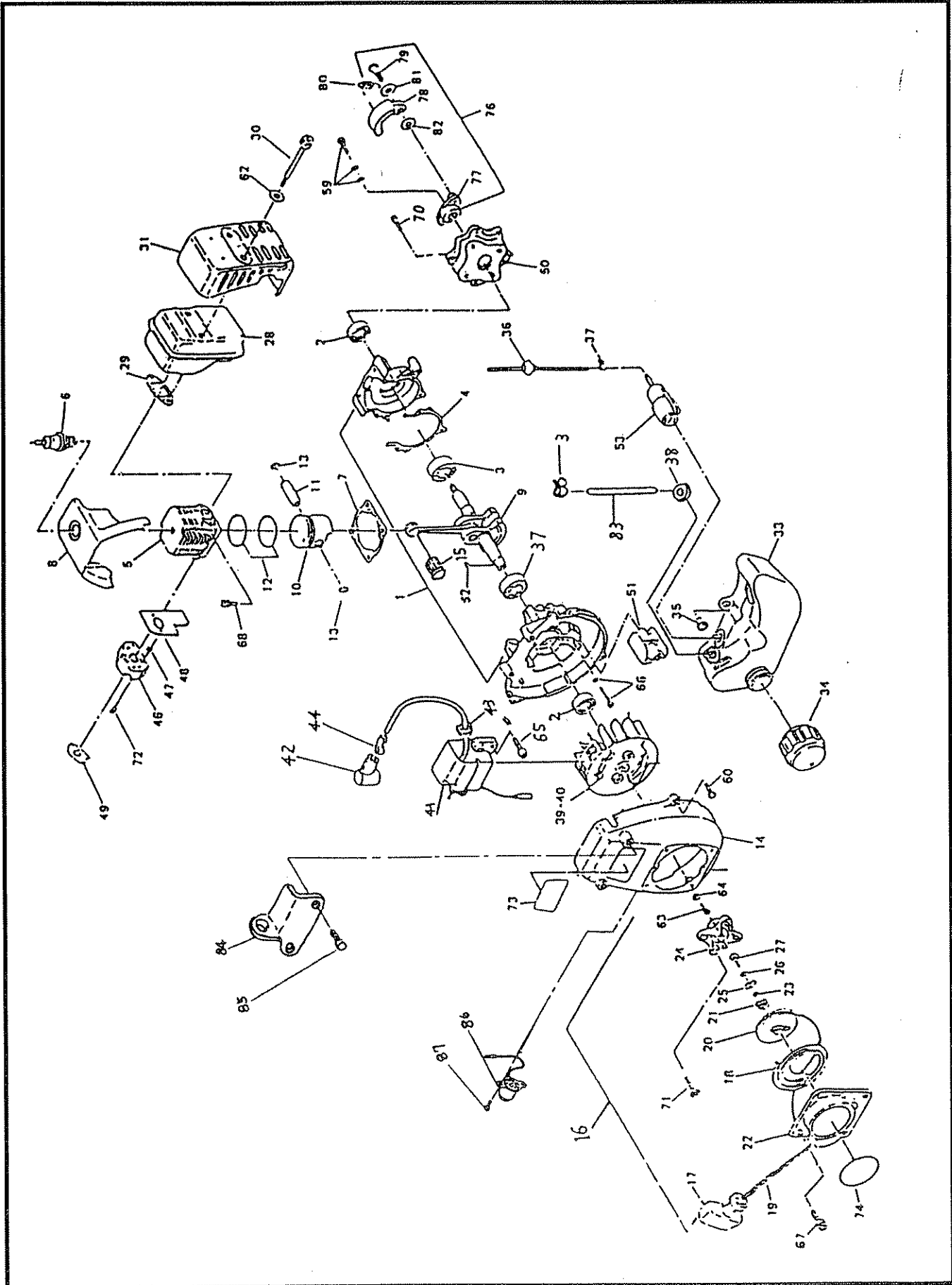
Machine body

Model HT171 & Model HT231

Ref. No.	Mfg.'s No.	Part Name	Our Part No.	Qty.		Ref. No.	Mfg.'s No.	Part Name	Our Part No.	Qty.	
				HT171	HT231					HT171	HT231
1	ENGINE	ECO1ERcomplete		1		32	R055-000100	Grease nipple (M6)	5096	1	1
	ENGINE	ECO2EHR			1	33	K351-006080	Bearing (#608z)	5048	1	1
2	K164-060000	U-nut (M6)	5018	1	1	34	K031-050100	Screw (M5×10)	6418	1	1
3	118-125	Spacer	6401	1	1	35	136-105	Gear crank	6419	1	
4	030-114	Leaf receiver plate	5090		1		136-139	Gear crank	6420		1
5	063-108	End reinforce	6402	1		36	118-143	Crank	6421	1	1
	027-145	End reinforce	5089		1	37	K354-060000	Bearing (#6000 2RS)	6422	1	1
6	008-247	Screw for fitting blade (L=19)	5027	1	2		K354-060010	Bearing (#6001 2RS)	6423		1
7	136-121	Guide plate	6403	1		38	136-107	Pinion (M10×1.25)	6424	1	
	136-116	Guide plate	6404		1		136-142	Pinion (M12×1.5)	6425		1
8	063-106	Blade upper	6405	1		39	K054-060150	Bolt (M6×15)	5015	3	3
	030-106	Blade upper	5092		1	40	K150-050000	Nut (M5)	5016	1	1
9	063-107	Blade lower	6407	1		41	K080-050300	Bolt (M5×30)	6426	2	2
	030-107	Blade lower	5091		1	42	136-103	Handle fitting	6427	1	1
10	008-250	Washer, blade slide	5028	3	4	43	136-157	Left handle	6428	1	1
11	008-249	Screw for fitting blade (L=29)	5033	1	1	44	K164-060000	U-nut (M6)	5018	1	1
12	K054-050200	Bolt (M5×20)	5085	2	2	45	K010-050250	Screw (M5×25)	5110	1	1
13	118-104	Case, lower	6408	1	1	46	030-138	Stay for anti-vibration rubber B	5109	1	1
14	118-101	Felt	6409	1	1	47	008-232	Anti-vibration rubber	5108	1	1
15	008-248	Screw for fitting blade (L=22)	5029	2	2	48	136-100	Handle holder	6429	1	1
16	K010-030050	Screw (M3×5)	5030	2	2	49	K150-050000	Nut (M5)	5016	2	2
17	K054-050160	Bolt (M5×16)	6410	5	5	50	136-101	Coller	6430	2	2
18	030-110	Plate, rod slide	5031	1	1	51	136-102	Anti-vibration rubber	6431	4	4
19	K351-006080	Bearing (#608z)	5048	2	2	52	136-104	Fitting rubber	6432	2	2
20	118-100	Rod	6411	2	2	53	K054-060350	Bolt (M6×35)	6433	2	2
21	K283-026000	Snap ring (STW-26)	6412	1	1	54	136-156	Stay for anti-vibration rubber A	6434	1	1
22	K011-050200	Screw (M5×20)	5044	2	2						
23	030-141	Right handle	9087	1	1						
24	K207-060103	Washer	5114	1	1						
25	K164-060000	U-nut (M6)	5018	4	5						
26	K055-060180	Bolt (M6×18)	6413	1	1						
27	008-345	Grip	9086	2	2						
28	K162-050000	Flange nut (M5)	5016	2	2						
29	030-108	Reinforcing plate	5019	1	1						
30	136-135	Drum (M10×P1.25)	6414	1							
	136-141	Drum (M12×P1.5)	6415		1						
31	136-106	Case, upper	6416	1							
	136-143	Case, upper	6417		1						

Engine body

Model HT171 & Model HT231



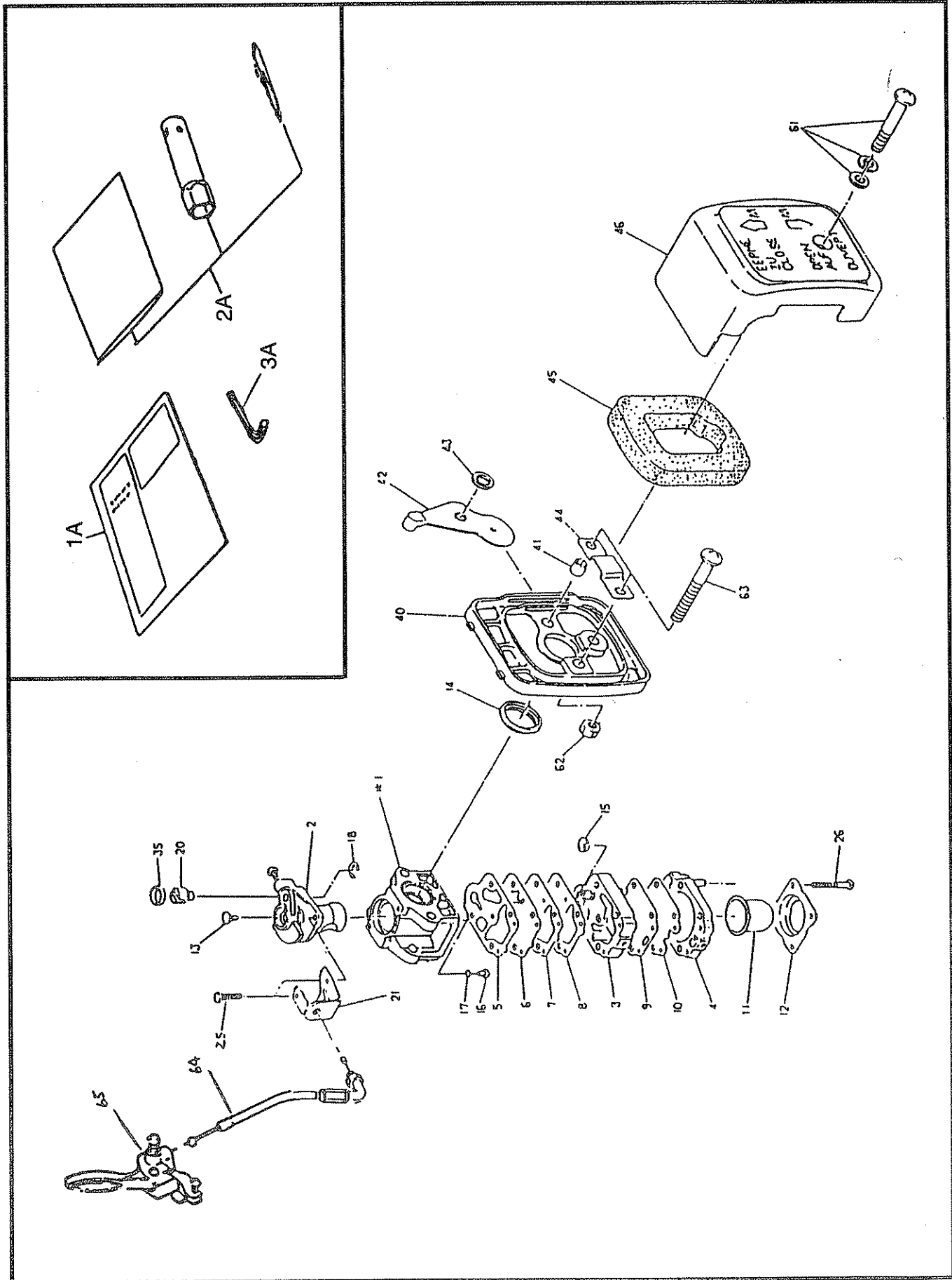
Engine body

Model HT171 & Model HT231

Ref. No.	Mfg.'s No.	Part Name	Our Part No.	Qty.		Ref. No.	Mfg.'s No.	Part Name	Our Part No.	Qty.	
				HT171	HT231					HT171	HT231
1	5211003000	Crank case complete (incl. 2-4)	6132	1	1	40	5037005010-1	Fly wheel	6464	1	
2	0440129991	Oil seal	1002	2	2		5207001010-1	Fly wheel	6465		1
3	0600129920	Ball bearing	1003	2	2	41	5037005020-1	Ignition coil	6466	1	
4	5211500400	Crank case packing	6133	1	1		5207001020-1	Ignition coil	6467		1
5	5031500101	Cylinder	6435	1		42	5107007000	Plug cap complete (incl. 44)	6169	1	1
	5231500000-1	Cylinder	3529		1	43	0241059951	Grommet	6468	1	1
6	0650149810	Spark plug (NGK BM7A or CHAMPION CJ6)		1	1	44	0654009940	Plug cap spring	6169	1	1
7	5231501300	Cylinder packing	3531	1	1	46	5233014000	Heat insulator (incl. 47)	6469	1	1
8	5205500200	Cylinder cover	6436	1	1	47	0021705000	Nut (M5)	6470	2	2
9	5032001000	Crank shaft complete	6437	1		48	5203500200-1	Heat insulator packing	6172	1	1
	5232003001	Crank shaft complete	6438		1	49	5213500100	Gasket	6471	1	1
10	5032500000	Piston	6439	1		50	118-125	Spacer	6472	1	1
	5232500201	Piston	6440		1	51	5215500300-1	Plate	6473	1	1
11	5012500600	Piston pin	6441	1		52	0053203101	Woodruff key	1077	1	1
	5242500100	Piston pin	3534		1	53	5016500300-1	Filter	3112	1	1
12	5012500500	Piston ring	6442	2		59	6202006000	Holder clamping bolt assembly (M6x14)	1147	1	1
	5102501000	Piston ring	3535		2	60	0150059990	Tapping screw (A) (M5x16)	5013	2	2
13	0565089980	Clip	1015	2	2	62	0200089870	Washer	1428	2	2
14	5235500301	Housing cover	6443	1	1	63	0011306160	Bolt ass'y (M6x16)	6190	1	1
15	0610089990	Needle roller bearing	6444		1	64	0031206000	Washer (M6)	1428	1	1
16	5215005001	Starter, rewind	6445	1	1	65	0119059870	Bolt	3303	2	2
17	5215005140	Starter knob	7037	1	1	66	0043505250	Screw ass'y (M5x25)	9183	3	3
18	5215005020	Spiral spring	6446	1	1	67	0043605140	Screw ass'y (M5x14)	3310	8	8
19	5215005130	Starter rope	1021	1	1	68	0119059950	Bolt (socket head, M5x18)	1223	2	2
20	5215005030	Reel	6447	1	1	70	0043605180	Screw assembly	8160	4	4
21	5215005041	Dog	6448	1	1	71	0041106200	Screw (M6x20)	3151	2	2
22	5215005010	Starter case	6449	1	1	72	0140059680	+/- screw ass'y (M5x25)	5110	2	2
23	5215005050	Wave washer	6450	1	1	73	5219500200	Label (trade mark)	6479	1	1
24	5215005150	Starter pulley	6451	1	1	74	5039500500	Label (model)	6480	1	
25	5215005111	Retainer	6452	1	1		5239502800	Label (model)	6481		1
26	5215005121	Washer	6453	1	1	76	6212005000	Clutch compl. (incl. 79-83)	6482	1	1
27	5215005060	Center screw (M5)	6454	1	1	77	6202500000	Holder	6483	1	1
28	5203003000	Muffler assembly	6455	1	1	78	6252500800	Clutch shoe	6180	2	2
29	5013500200	Muffler gasket	6155	1	1	79	6252500400	Clutch bolt	6181	2	2
30	5223500301	Socket head bolt	6456	2	2	80	5238500500	Spring (clutch)	6484	1	1
31	5203500400	Muffler cover	6457	1	1	81	6202500600	Washer (A)	6485	2	2
33	5236502200-1	Fuel tank	6458	1	1	82	0200089910	Washer (B)	6486	2	2
34	5316002003	Fuel tank cap	6459	1	1	83	0851119990	Tube	6487	1	1
35	5026500000	Spacer	6460	1	1	84	136-156	Bracket	6488		1
36	0851219981	Rubber tube	6163	1	1	85	0043606120	Screw Assembly (M6x12)	6489		2
37	0561059990	Hose clamp	3114	2	2	86	0662009870	Stop switch	6490	1	1
38	0241059940	Grommet	6461	1	1	87	0043104060	Screw, pan head	6491	2	2
39	5037005000-1	Magneto complete (incl. 40, 41)	6462	1							
	5207001000-1	Magneto complete (incl. 40, 41)	6463		1						

Carburetor Parts and Accessories

Model HT171 & Model HT231



Carburetor Parts

Model HT171 & Model HT231

Ref. No.	Mfg.'s No.	Part Name	Our Part No.	Qty.		Ref. No.	Mfg.'s No.	Part Name	Our Part No.	Qty.	
				HT171	HT231					HT171	HT231
1	5216007000	Carburetor (incl. 2-18, 20, 21, 25, 26)	6493	1		18	5316005120	Ring, spring retaining	6511	1	1
	5236018001	Carburetor (incl. 2-18, 20, 21, 25, 26)	6494		1	20	5236018040	Swivel	6512	1	1
2	5236018010	Valve ass'y throttle	6495	1	1	21	5236018030	Bracket, cable	6513	1	1
3	5206008010	Body assembly pump	6496	1	1	25	5246001240	Screw, throttle collar	6514	2	2
4	5206008020	Body assembly, air purge	6497	1	1	26	5246001220	Screw, pump cover	6515	4	4
5	5246001030	Gasket, pump	6498	1	1	35	5219500000	Holder	6516	1	1
6	5246001040	Diaphragm, pump	6499	1	1	40	5213500400-1	Case, air cleaner	6517	1	1
7	5246001050	Plate, pump	6500	1	1	41	0230059970	Spacer	6518	2	2
8	5246001060	Gasket, plate	6501	1	1	42	5213500800	Lever, choke	6519	1	1
9	5246001120	Gasket, metering diaphragm	6502	1	1	43	0213069990	Gasket	6520	1	1
10	5316005250	Diaphragm ass'y, metering	6503	1	1	44	5013501400	Plate, air cleaner	6521	1	1
11	5246001150	Pump, primer	6504	1	1	45	5213500600	Element, air cleaner	6522	1	1
12	5246001140	Cover, primer pump	6505	1	1	46	5213500500-2	Case, air cleaner	6523	1	1
13	5206008110	Plug	6506	1	1	61	0043605120	Screw assembly	6524	1	1
14	5236018020	Ring, packing	6507	1	1	62	0021705000	Nut	6525	1	1
15	5016004010	Screen, inlet	6508	1	1	63	0043105600	Screw, pan head	6526	2	2
16	5036002010	Jet	6509	1	1	64	0630029900	Control cable	6527	1	1
17	5246001010	O-ring	6510	1	1	65	0631009930	Control lever	6528	1	1

Accessories

Model HT171 & Model HT231

Ref. No.	Mfg.'s No.	Part Name	Our Part No.	Qty.		Ref. No.	Mfg.'s No.	Part Name	Our Part No.	Qty.	
				HT171	HT231					HT171	HT231
1A	6419501300	Instruction manual	6529	1	1						
2A	5019001000	Tool kit	6530	1	1						
3A	0717049990	Wrench (socket head)	6531	1	1						