



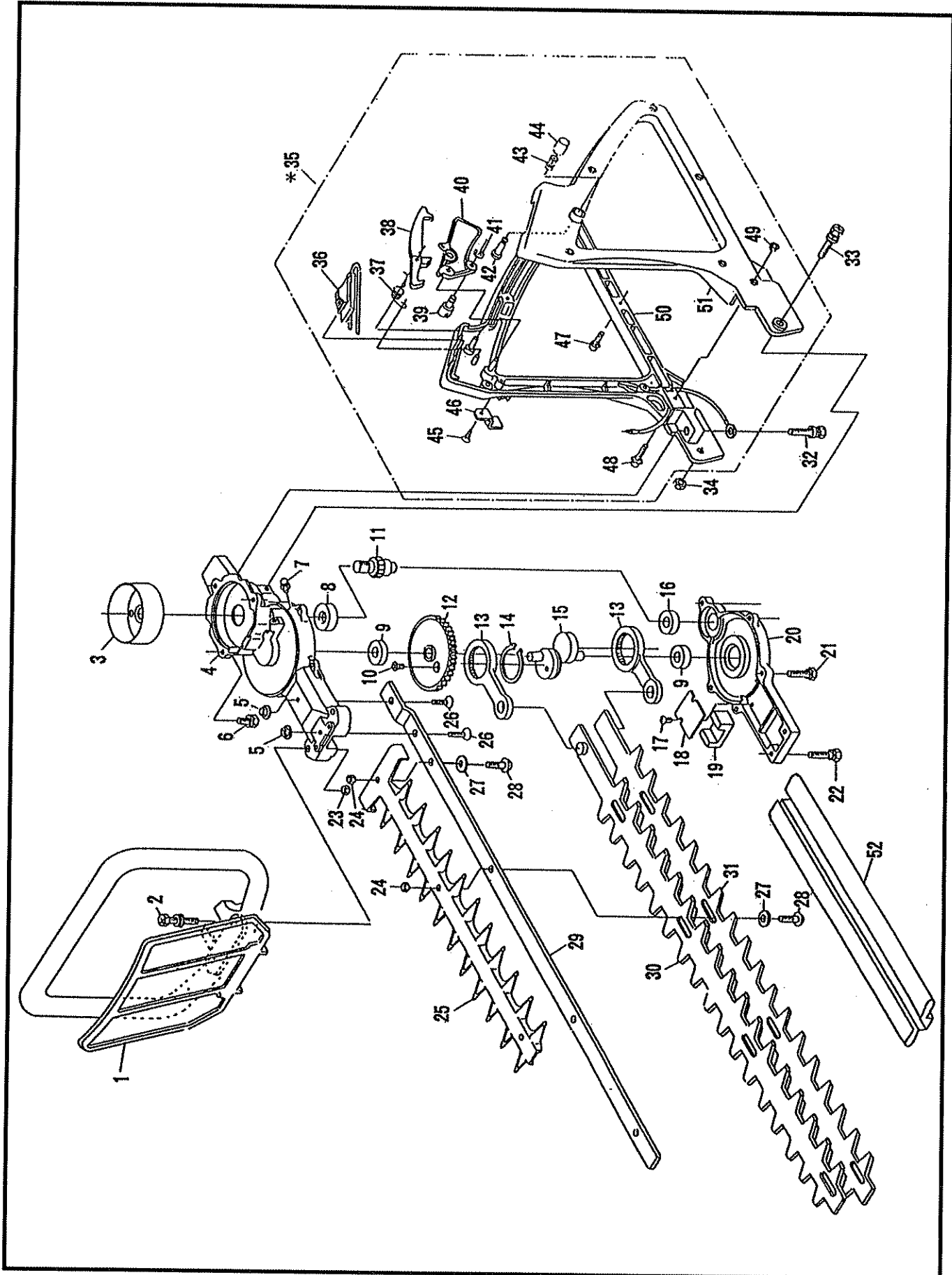
HEDGE TRIMMER

Models HT221, HT600 & HT750

PARTS MANUAL

Machine Body

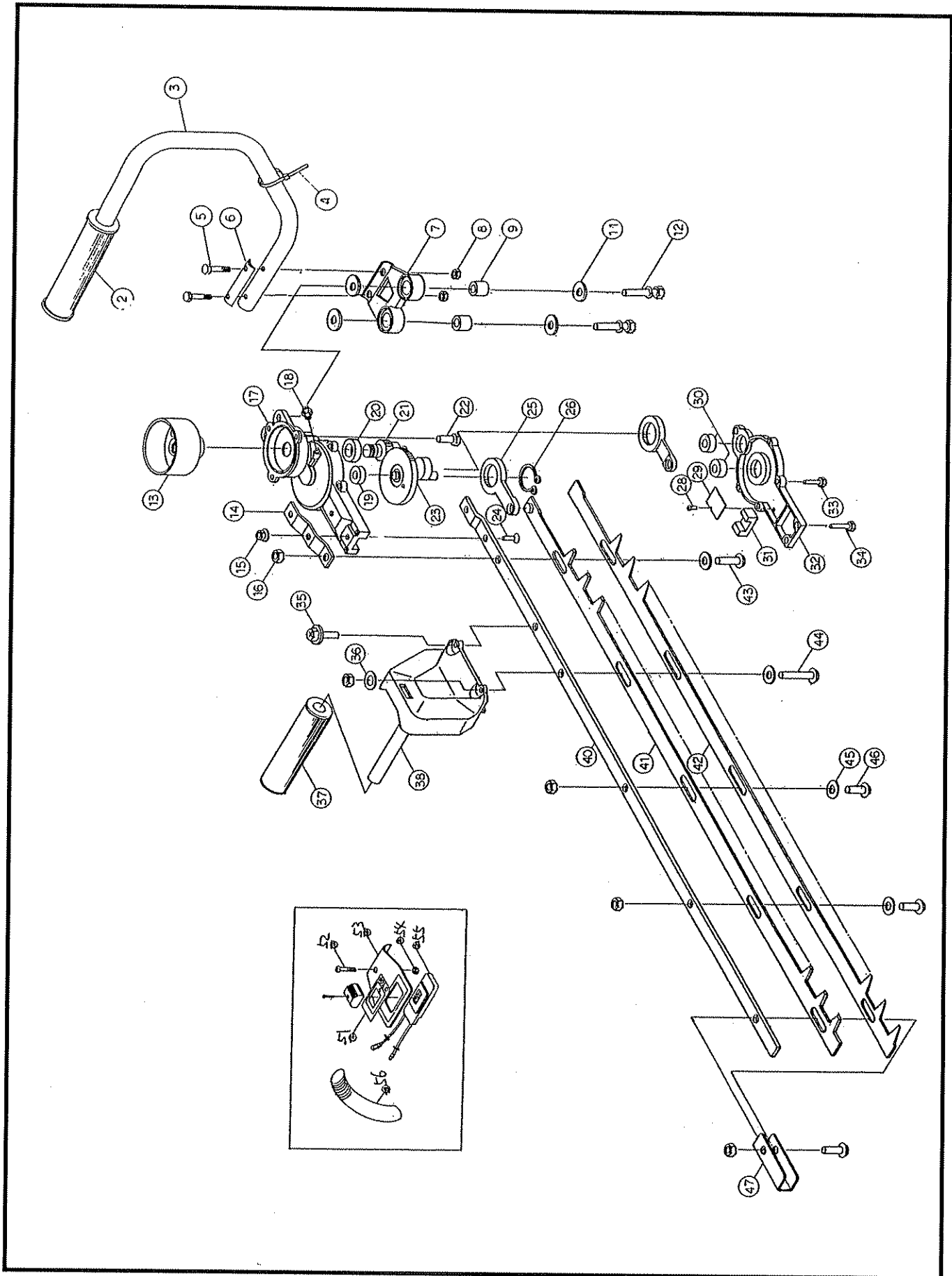
Model HT221



Machine Body

Model HT221

Ref. No.	Mfg.'s No.	Part Name	Our Part No.	Qty.	Ref. No.	Mfg.'s No.	Part Name	Our Part No.	Qty.
1	118-142	Front Handle	9366	1	39	118-111	Plate	9304	1
2	K055-060350	Bolt (M6x35 W SW PW)	6433	2	40	118-115	Throttle Lever	9306	1
3	027-142	Drum	5097	1	41	K280-002500	Snap Ring	9307	1
4	118-103	Upper Case	9318	1	42	118-112	Pin	9308	1
5	K162-050000	Flange Nut (M5)	9321	2	43	118-114	Spring	9309	1
6	K054-060150	Bolt (M6x15 W SW)	5060	2	44	118-113	Fixing Knob	9310	1
7	R055-001000	Grease Nipple	5096	1	45	K112-040100	Screw (M4x10)	9302	1
8	K354-060000	Bearing (#6000 2RS)	6422	1	46	118-121	Holder	9303	1
9	K351-006080	Bearing (#608Z)	9332	2	47	K017-040160	Screw (M4x16 W SW)	9312	5
10	K031-050100	Screw (M5x10)	6418	1	48	K017-040300	Screw (M4x30 W SW)	9313	1
11	118-102	Pinion	9325	1	49	K150-040000	Nut (M4)	4485	6
12	118-105	Gear Crank	9326	1	50	118-149	Rear Handle (R)	9372	1
13	118-100	Rod Assembly	9328	2	51	118-150	Rear Handle (L)	9373	1
14	K283-026000	Snap Ring	6412	1	52	A028-002039	Blade Cover	9374	1
15	118-143	Crank	6421	1					
16	K351-006080	Bearing (#608Z)	9332	1					
17	K010-030050	Screw (M3x5)	5030	2					
18	030-110	Rod Slide Plate	5031	1					
19	118-101	Felt	9333	1					
20	118-104	Lower Case	9335	1					
21	K054-050160	Bolt (M5x16 W SW)	9336	5					
22	K054-050200	Bolt (M5x20 W SW)	9337	2					
23	K150-060000	Nut (M6)	1290	2					
24	K164-060000	U-Nut (M6)	5069	4					
25	118-152	Protector CE (EURO) SPEC.	9367	1					
26	K031-050160	Screw (M5x16)	9336	2					
27	008-250	Washer	5028	4					
28	008-247	Bolt (M6x19)	5072	4					
29	118-126	Guide Plate	9323	1					
30	077-106	Upper Blade	9331	1					
31	077-107	Lower Blade	9334	1					
32	K055-060400	Bolt (M6x40 W SW PW)	9317	1					
33	K055-060500	Bolt (M6x50 W SW PW)	9315	1					
34	K150-060000	Nut (M6)	1290	1					
35	118-003	Rear Handle Assembly (includes 36-51)	9368	1					
36	A005-044004	Switch	9369	1					
37	A003-010004	Spring	9370	1					
38	118-151	Lock Lever	9371	1					



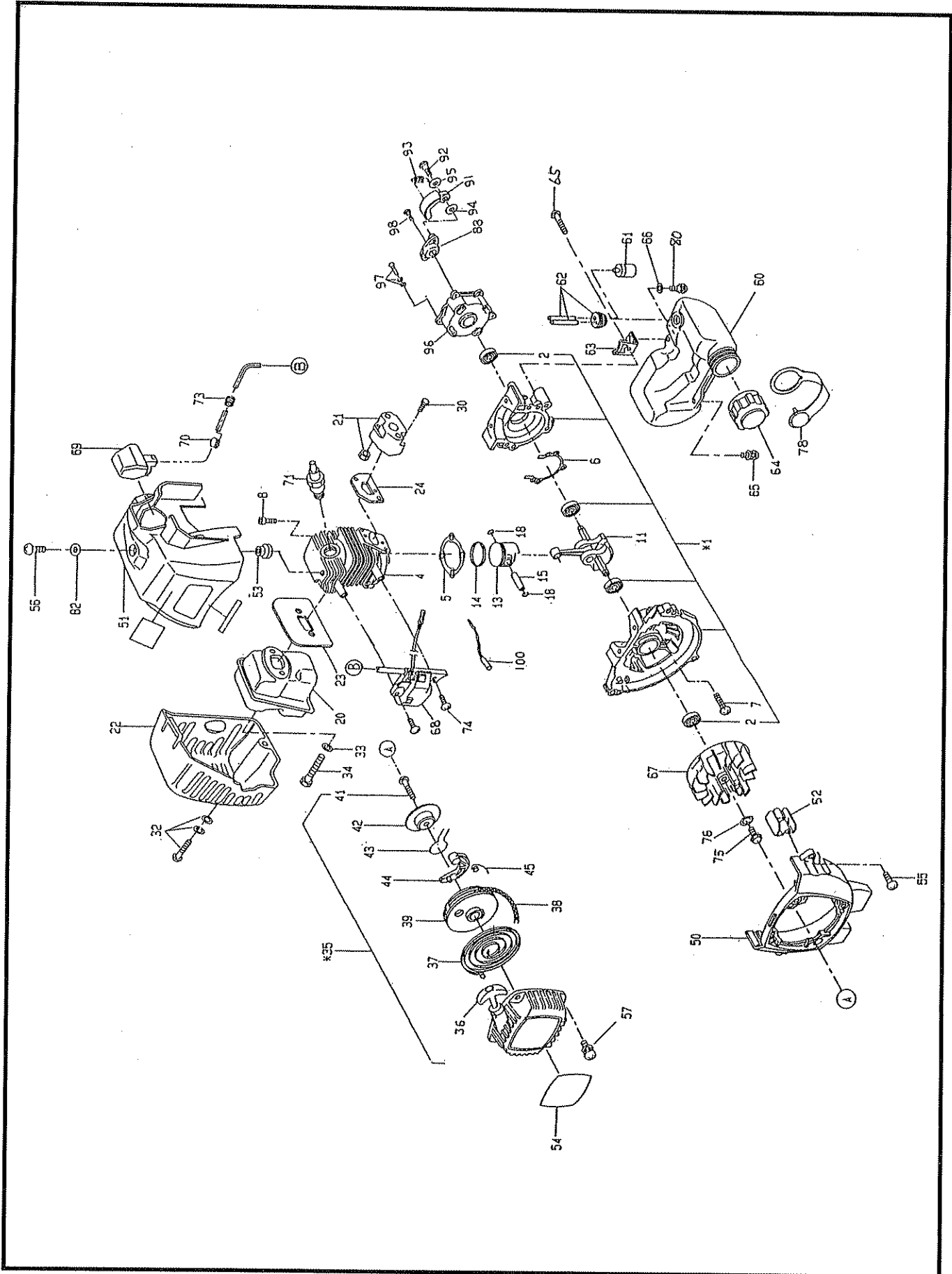
Machine Body

Models HT600 & HT750

Ref. No.	Mfg.'s No.	Part Name	Our Part No.	Qty.		Ref. No.	Mfg.'s No.	Part Name	Our Part No.	Qty.	
				HT600	HT750					HT600	HT750
2	008-345	Handle Rubber	9086	1	1	41	030-106	Upper Blade	5092	—	1
3	136-132	Left Handle	9375	1	1	42	063-107	Lower Blade	6407	1	—
4	R035-002100	Cord Binder	5056	1	1	42	030-107	Lower Blade	5091	—	1
5	K040-050301	Bolt (M5x30)	1215	2	2	43	008-248	Screw (M6x22)	5071	2	2
6	136-103	Handle Fitting	6427	1	1	44	008-249	Bolt (M6x29)	5070	1	1
7	136-100	Handle Holder	6429	1	1	45	008-250	Washer	5028	3	4
8	K150-050000	Nut (M5)	5016	2	2	46	008-247	Bolt (M6x19)	5072	1	2
9	073-209	Collar	9376	2	2	47	063-108	End Reinforce	6402	1	—
11	K207-060231	Washer	9377	4	4	47	027-145	End Reinforce	5089	—	1
12	K054-060250	Bolt (M6x25 W SW)	9378	2	2	51	A052-145004	Label	9383	1	1
13	136-141	Drum	6415	1	1	52	K016-050250	Screw (M5x25W SW)	8160	1	1
14	030-108	Plate	5019	1	1	53	136-115	Stay Switch	9384	1	1
15	K162-050000	Flange Nut (M5)	9321	2	2	54	K150-050000	Nut (M5)	5016	1	1
16	K164-060000	U-Nut (M6)	5069	4	5	55	008-373	Switch Assembly	9385	1	1
17	136-143	Upper Case	6417	1	1	56	008-371	Corrugated Tube	9386	1	1
18	R055-001000	Grease Nipple (M6)	5096	1	1						
19	K351-006080	Bearing (#608Z)	9332	1	1						
20	K354-060010	Bearing (#6001 2RS)	6423	1	1						
21	136-142	Pinion	6425	1	1						
22	K054-060150	Bolt (M6x15 W SW)	5060	3	3						
23	136-003	Gear Crank Assembly	9379	1	1						
24	K011-050200	Screw (M5x20)	5044	2	2						
25	118-100	Rod Assembly	9328	2	2						
26	K283-026000	Snap Ring	6412	1	1						
28	K010-030050	Screw (M3x5)	5030	2	2						
29	030-110	Rod Slide Plate	5031	1	1						
30	K351-006080	Bearing (#608Z)	9332	2	2						
31	118-101	Felt	9333	1	1						
32	118-104	Lower Case	9335	1	1						
33	K054-050160	Bolt (M5x16 W SW)	9336	5	5						
34	K054-050200	Bolt (M5x20 W SW)	9337	2	2						
35	K055-050202	Bolt (M5x20 SW PW)	9380	2	2						
36	K207-060103	Washer	5114	1	1						
37	008-345	Handle Rubber	9086	1	1						
38	136-190	Right Handle	9381	1	1						
40	136-121	Plate, Holding	6403	1	—						
40	136-118	Plate, Holding	9382	—	1						
41	063-106	Upper Blade	6405	1	—						

Engine Body

Models HT221, HT600 & HT750



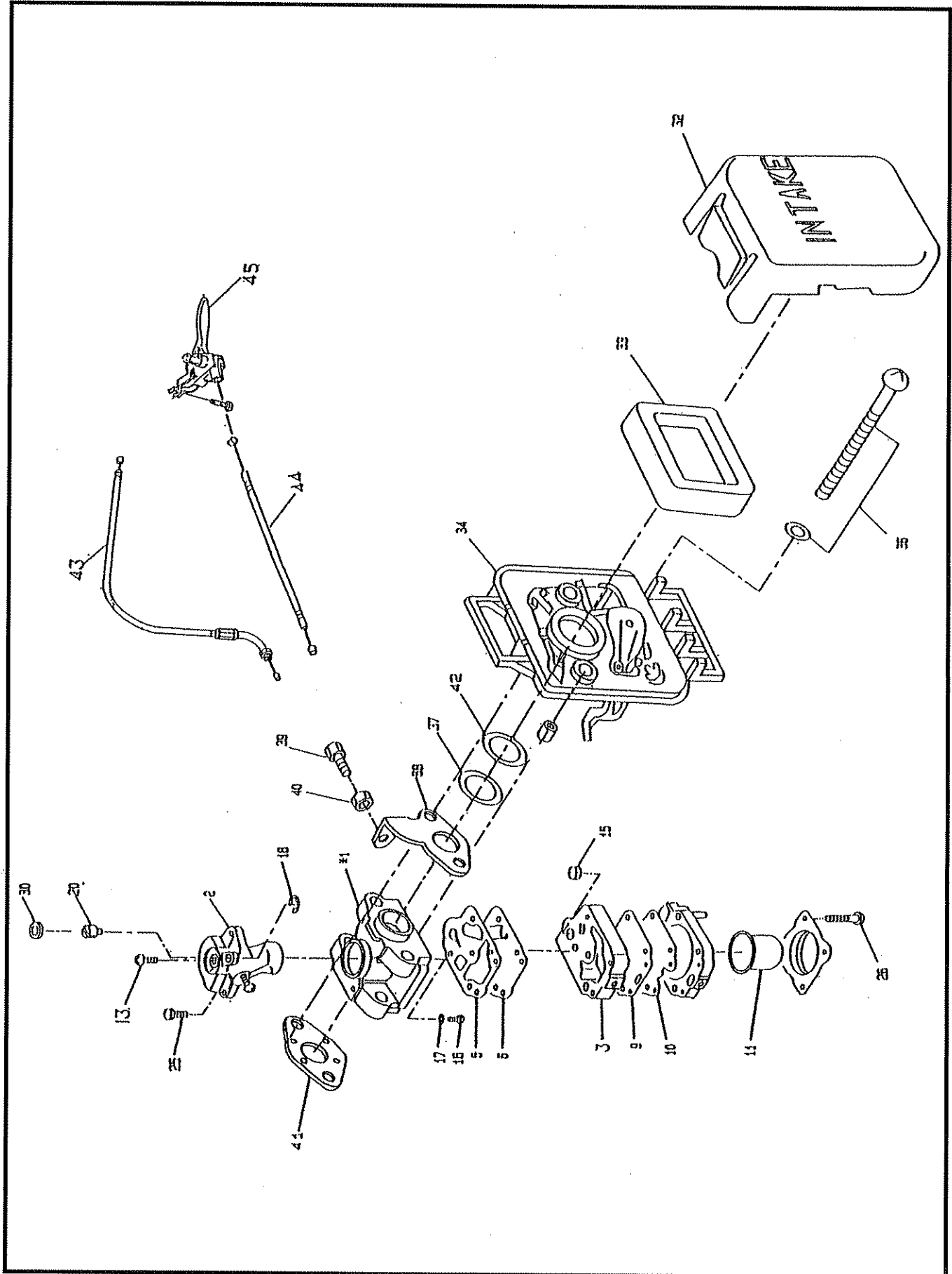
Engine Body

Models HT221, HT600 & HT750

Ref. No.	Mfg.'s No.	Part Name	Our Part No.	Qty.		Ref. No.	Mfg.'s No.	Part Name	Our Part No.	Qty.	
				HT221	HT600 HT750					HT221	HT600 HT750
1	5251003000	Crankcase Assembly (includes 2, 6)	6531	1	1	56	0140059490	Screw	6552	1	1
2	0440129970	Oil Seal	5447	2	2	57	0140059480	Screw Assembly	6553	4	4
4	5251500300	Cylinder	6532	1	1	60	5256500000	Tank, Fuel	6554	1	1
5	5231502304	Gasket, Cylinder	5405	1	1	61	5236503900	Filter	5370	1	1
6	5231502202	Gasket, Crankcase	5325	1	1	62	5256012001	Tube Assembly	6555	1	1
7	0140059520	Screw	5341	3	3	63	5256002000	Plate, Tank Complete	6556	1	1
8	0119059730	Socket Head Bolt M5x20W SW	5333	2	2	64	5316011000	Cap, Fuel Tank Assembly	6557	1	1
11	5252002001	Crankshaft Complete	6533	1	1	65	0043705160	Screw Assembly	3129	3	3
13	5212500700	Piston	6534	1	1	66	0031205000	Washer	1429	1	1
14	5982500000	Ring, Piston	1014	1	1	67	5257001010	Flywheel	6558	1	1
15	5212500801	Pin, Piston	6535	1	1	68	5257001020	Coil, Ignition	6559	1	1
18	0565089970	Clip	5330	2	2	69	5237503301	Cap, Plug	5354	1	1
20	5253010000-1	Muffler, Exhaust	6536	1	1	70	0654009931	Spring, Plug Cap	6169	1	1
21	5233014000	Insulator Complete	6537	1	1	71	0650149810	Plug, Spark	BM6A	1	1
22	5253500500	Cover, Muffler	6538	1	1	73	5257500300	Grommet	6560	1	1
23	5253500101	Gasket, Muffler	6539	1	1	74	0140049920	Screw M4x20	5351	2	2
24	5253500200	Gasket, Insulator	6540	1	1	75	0011306160	Bolt Assembly	6190	1	1
30	0140059500	Screw M5x25 W SW	8160	2	2	76	0031206000	Washer	1395	1	1
32	0043705160	Screw Assembly	3129	1	1	78	6255021001	Strap Unit	5444	1	1
33	0031005000	Washer	3702	2	2	80	0043505160	Screw Assembly	3129	1	1
34	0119059660	Socket Head Bolt	6541	2	2	82	020-00700-10	Washer	4729	1	1
35	5255001000	Starter, Rewind (includes 36-45)	6542	1	1	88	6202500000	Holder	6483	1	1
36	5225004020	Starter Knob	7614	1	1	91	6252500800	Shoe, Clutch	6180	2	2
37	5025001020	Spiral Spring	6543	1	1	92	6252500400-1	Bolt, Clutch	6181	2	2
38	5235024022	Starter, Rope	6544	1	1	93	5238500500	Spring, Clutch	5446	1	1
39	5025001010	Reel	1601	1	1	94	0200089910	Washer	6486	2	2
41	5255001020	Set Screw	6545	1	1	95	6202500600	Washer	6354	2	2
42	5505001030	Friction Plate	1603	1	1	96	118-124	Spacer	9353	1	1
43	5105015050	Friction Spring	1024	1	1	97	0043605180	Screw Assembly M5x18 W SW	1707	4	4
44	5105015020	Ratchet	1023	1	1	98	6202006000	Bolt Assembly	1147	1	1
45	5105015060	Return Spring	1605	1	1	100	5607005000	Wire Complete (2)	6561	1	—
50.	5255500001	Housing, Blower	6546	1	1						
51	5255500101	Cover, Cylinder	6547	1	1						
52	5215500300	Plate, Baffle	6548	1	1						
53	5503503001	Spacer, Cover	6549	1	1						
54	5259502200	Label, Model	6550	1	—						
54	5259502300	Label, Model	6551	—	1						
55	0043105160	Screw, Pan Head	3152	3	3						

Carburetor & Air Cleaner

Models HT221, HT600 & HT750



(

(

(



Carswell Import & Marketing Associates, Inc./Carswell Distributing Company

3750 N. Liberty Street, Post Office Box 4193
WINSTON-SALEM, NORTH CAROLINA 27115-4193