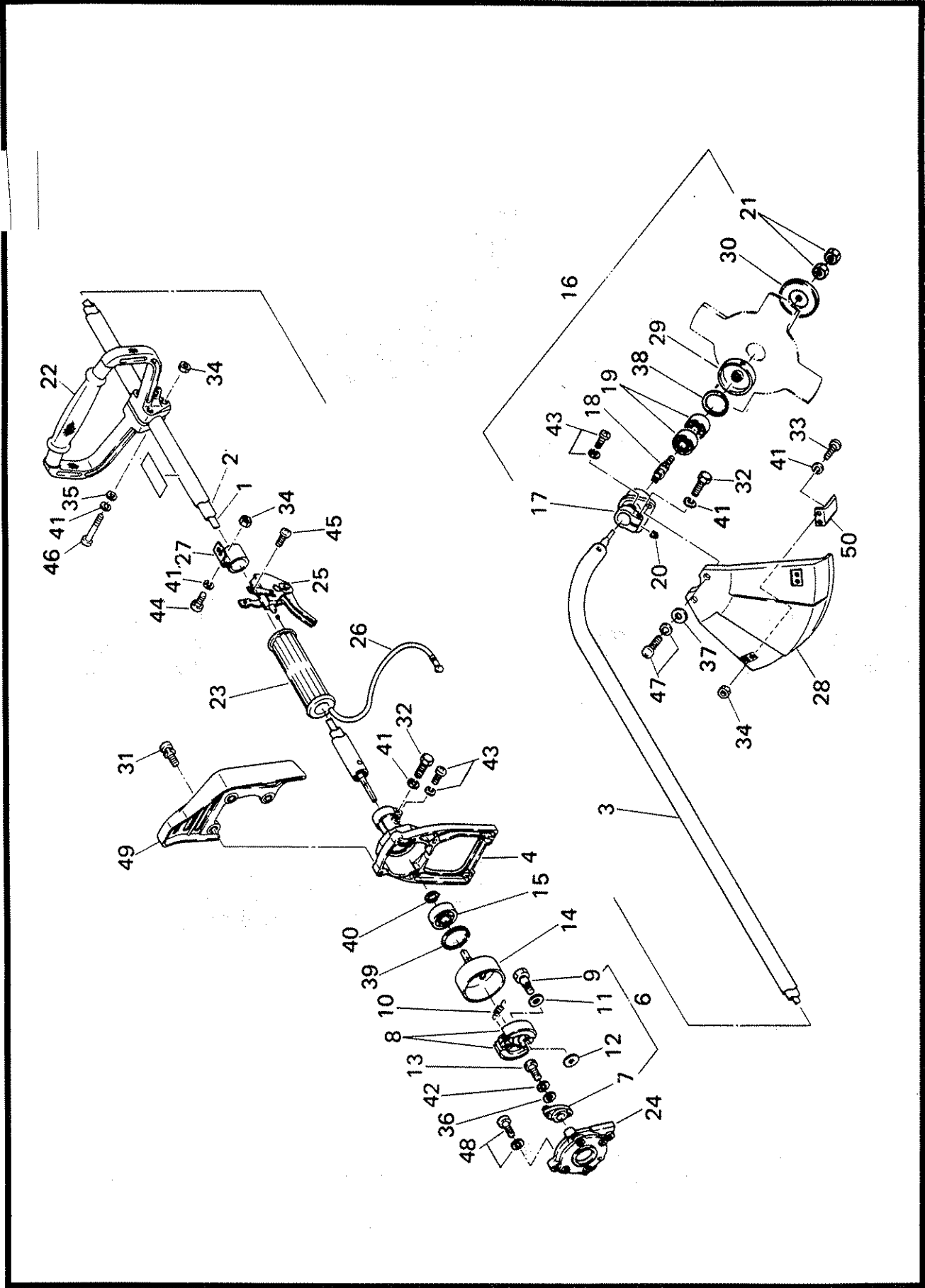




BRUSH CUTTER

Model NB16S

PARTS MANUAL



Machine body

NB16S

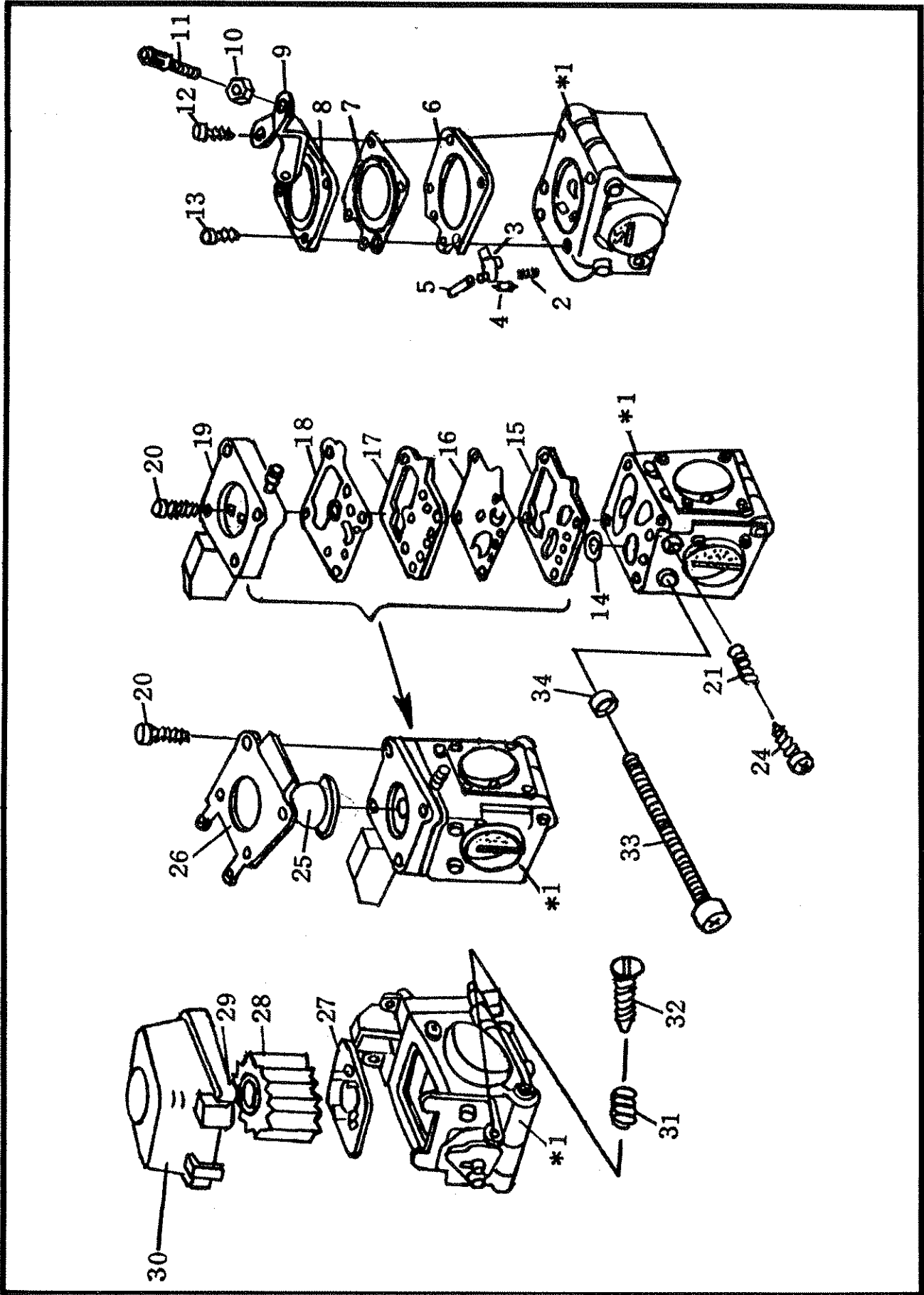
Ref. No.	Mfg.'s No.	Part Name	Our Part No.	Qty.	Ref. No.	Mfg.'s No.	Part Name	Our Part No.	Qty.
1	NB16F-1050	Flexible shaft complete	1666	1	40	00315-1200-0	Snap ring (outer)	1398	1
2	NB16F-1051	Liner complete	1667	1	41	00320-0500-0	Spring washer (M5)	1286	6
3	NB16F-1011	Pipe case	3133	1	42	00320-0600-0	Spring washer (M6)	1294	1
4	NB16F-1111/1B	Pipe case holder	3134	1	43	00110-0510-0	Bolt assembly (M5×10)	3149	1
6	NB16F-2002E	Clutch assembly (incl. 7-12)	3135	1	44	00431-0516-0	Screw (pan head) (M5×16)	1074	1
7	NB02A-201A	Holder	1662	1	45	00431-0518-0	Screw (pan head) (M5×18)	1707	1
8	NB02A-202D	Clutch shoe	3136	2	46	00431-0535-0	Screw (pan head) (M5×35)	3150	3
9	NB02A-203B	Clutch bolt	3137	2	47	00435-0620-0	Screw (pan head) (M6×20)	3151	2
10	NB25-2104	Spring	3138	1	48	EC02-8516	Plus & minus screw assembly SW (M5×16)	3152	4
11	NB02A-206	Washer (A)	1143	2	49	NB16F-5053	Spark plug guard	3153	1
12	NB02A-207	Washer (B)	1144	2	50	NB16F-8103	Cutter	3154	1
13	NB02A-205	Holder clamping bolt	1147	1					
14	NB16F-2050D	Clutch drum complete	3139	1					
15	NB25-2115	Ball bearing	1688	1					
16	NB16F-0301	Head case assembly (incl. 17-21, 29)	1665	1					
17	NB16F-3101/1	Head case	3140	1					
18	NB16F-3102B	Cutter shaft	1673	1					
19	NB16F-3110	Ball bearing	1674	2					
20	NB25-1114	Gasket (fiber)	1687	1					
21	0170-08996-0	Lock nut (left)	1278	2					
22	NB16F-4105	Loop handle	3141	1					
23	NB16F-4102B	Grip	3142	1					
24	NB23-5103	Locating plate	3143	1					
25	NB16F-5001B	Throttle lever assembly	3144	1					
26	NB16F-5052	Throttle wire complete	3145	1					
27	NB16F-7111B	Hanger	1679	1					
28	NB16F-8120	Safety cover	3146	1					
29	NB16F-8101B	Disk washer (upper)	3147	1					
30	NB16F-8102A	Disk washer (lower)	1681	1					
31	00118-0630-0	Bolt assembly (M6×30)	3148	4					
32	00166-0525-0	Bolt (M5×25)	1701	2					
33	00431-0512-0	Screw (pan head)	1442	2					
34	00227-0500-0	Nut (M5)	1703	6					
35	00310-0500-0	Washer (M5)	1183	3					
36	00310-0600-0	Washer (M6)	1184	1					
37	00312-0600-0	Washer (M6)	1395	2					
38	00314-3000-0	Snap ring (inner)	1188	1					
39	00314-3200-0	Snap ring (inner)	1189	1					

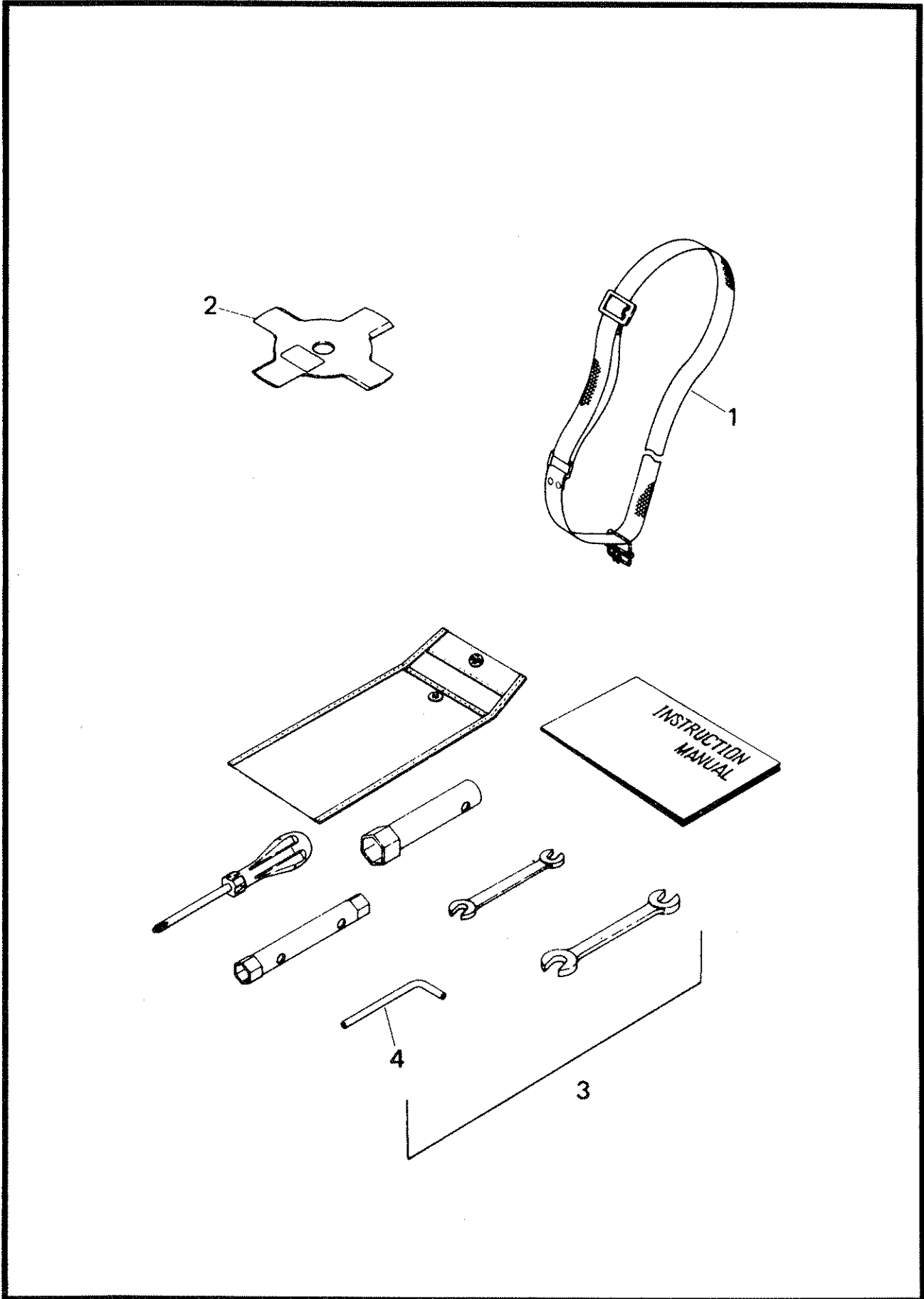
Engine body

NB16S

*Mr. P. J. ...
Solid Coil
Optimized
8138
or
↓
Point
Camber*

Ref. No.	Mfg.'s No.	Part Name	Our Part No.	Qty.	Ref. No.	Mfg.'s No.	Part Name	Our Part No.	Qty.
1	EC01A-0095	Crank case complete (incl. 2-4)	3100	1	39	M-62940	Flywheel	1693	1
2	0440-12999-1	Oil seal	1002	2	40	M-23667	Ignition coil	1692	1
3	0600-12992-0	Ball bearing	1003	2	41	M-14816H51	Breaker	1691	1
4	EC01A-1031A	Crank case packing	1617	1	42	M-14815H51	Condenser	1690	1
5	EC01A-1020C	Cylinder	3101	1	43	0140-04998-0	Plus & minus threads with plain washer	1277	1
6	EC01A-0599-G	Cylinder cover complete	3102	1	44	EC01A-7001	Grommet (second)	1635	1
7	0650-14981-0	Spark plug	1007	1	45	EC01A-7002	Grommet (first)	1636	1
8	EC01A-1030A	Cylinder packing	1616	1	46	EC02-090B	Plug cap	1051	1
9	EC01A-0098	Crank shaft assembly (incl. 10-13)	1608	1	47	21-419	Air cleaner cover	3116	1
10	EC01A-2030	Piston	3103	1	48	125-50	Air filter	3117	1
11	EC01A-2032	Piston pin	3104	1	49	98-476	Spring filter	3118	1
12	EC01A-2033	Clip	3105	2	50	157-250	Plate cleaner	3119	1
13	EC01A-2031	Piston ring	1618	1	51	96-304	Cable adjust screw	3120	1
14	EC01A-0501	Recoil starter complete (incl. 12-19)	1611	1	52	EC01A-3033/1	Heat insulator	3121	1
15	A57200100001	Starter knob	1018	1	53	EC02-3112	Gasket spacer	3122	1
16	A60002600100	Spiral spring	1604	1	54	EC01A-3045/1	Heat insulator packing (cylinder)	1623	1
17	A57100890000	Starter rope	1021	1	55	EC02-6707	Spacer (carburetor)	3123	1
18	A54102600200	Reel	1601	1	56	EC01A-7010	Stop switch	1637	1
19	A55002620000	Ratchet	1602	1	57	NB16F-9122	Label (NB16S)	3124	1
20	A60503220000	Return spring	1606	1	58	EC01A-9011	Caution label	1639	1
21	A60102600000	Friction spring	1024	1	59	00217-0400-0	Nut M4	3125	2
22	A56002600291	Friction plate	1603	1	60	00227-0600-0	Nut M6	3126	1
23	EC01A-5001A	Fun cover	3106	1	61	00227-0800-0	Nut M8	1291	1
24	EC01A-5015	Wind preventive plate	1627	1	62	00310-0800-0	Washer M8	1428	1
25	EC01A-0395-TA	Muffler complete	3107	1	63	00311-0400-0	Washer M4	1113	2
26	EC01A-0380/1-SA	Muffler cover complete	3108	1	64	00321-0800-0	Spring washer M8	1705	1
27	EC01A-3021	Muffler gasket	3109	1	65	00431-0408-0	Screw (pan head) M4x8	1297	1
28	EC01A-3070A	Muffler clamping bolt	1624	2	66	00431-0450-0	Screw (pan head) M4x50	3127	2
29	EC01A-3074	Washer	3209	2	67	00431-0512-0	Screw (pan head) M5x12	1442	1
30	EC01A-3073	Stay	3110	1	68	00431-0516-0	Screw (pan head) M5x16	1074	2
31	EC01A-6010	Fuel tank	1628	1	69	00431-0550-0	Screw (pan head) M5x50	1710	3
32	EC02-0668	Fuel tank cap complete	1651	1	70	00433-0520-0	Screw assembly M5x20W	3128	2
33	EC03F-6101A	Rubber tube	3111	1	71	00435-0516-0	Screw assembly M5x16 SW	3129	2
34	EC03F-6120	Filter	3112	1	72	00435-0522-0	Screw assembly M5x22 SW	3130	3
35	EC03F-6130	Connector (fuel)	3113	1	73	00436-0510-0	Screw assembly M5x10 W-SW	3131	1
36	EC04-6122	Hose clamp	3114	3	74	EC01-A-0602	Carburetor assembly (incl. 47-51, 60)	3132	1
37	EC01A-6031	Fuel pipe	3115	1					
38	EC01A-0701	Magneto complete (incl. 39-42)	1614	1					







MEMO

()

()

()

Carswell Import & Marketing Associates, Inc./Carswell Distributing Company
3750 N. Liberty Street, P.O. Box 4193
WINSTON-SALEM, NORTH CAROLINA 27115