



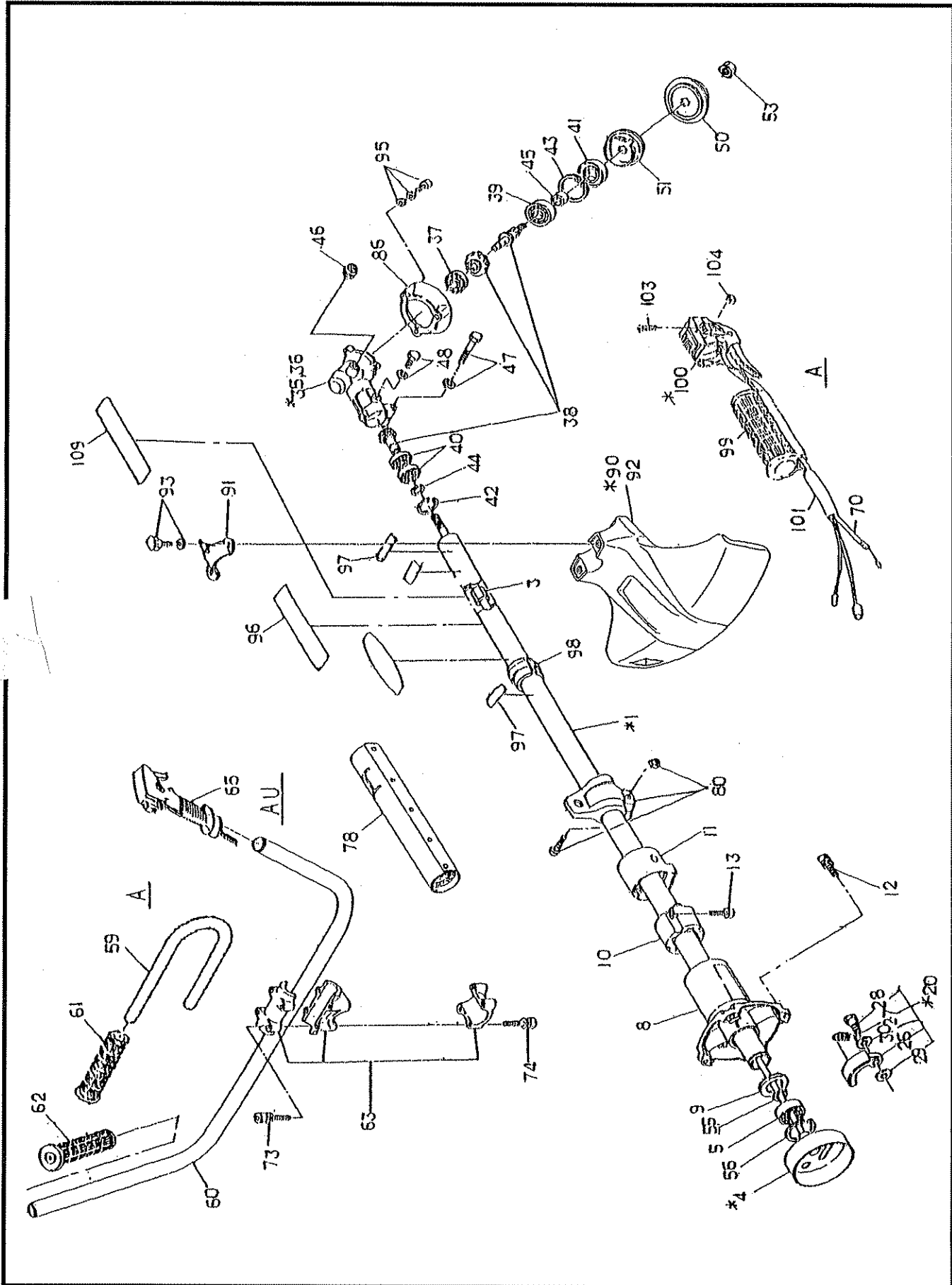
GRASS TRIMMER/ BRUSH CUTTER

Model NB31

PARTS MANUAL

Machine Body

Model NB31



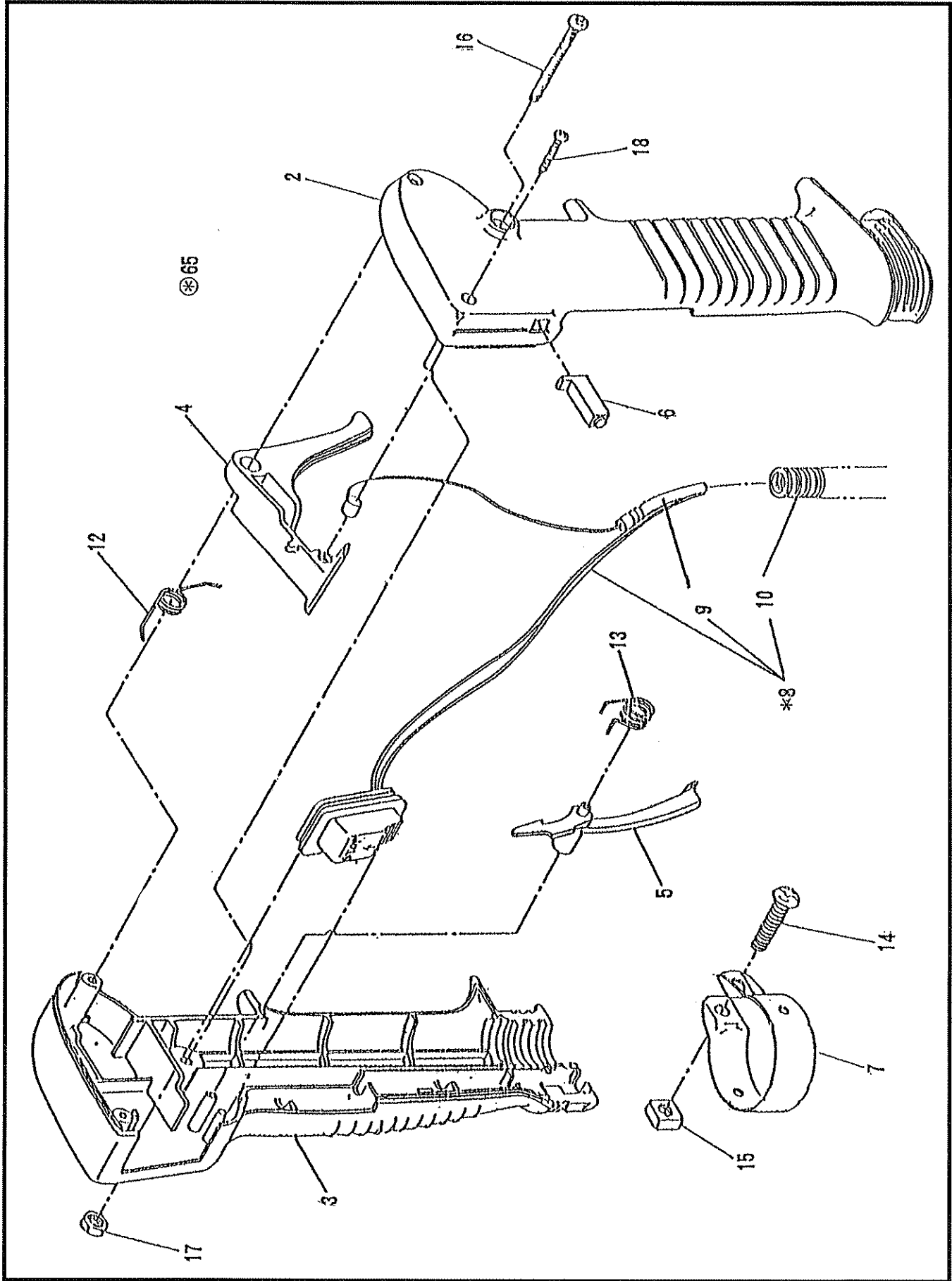
Machine Body

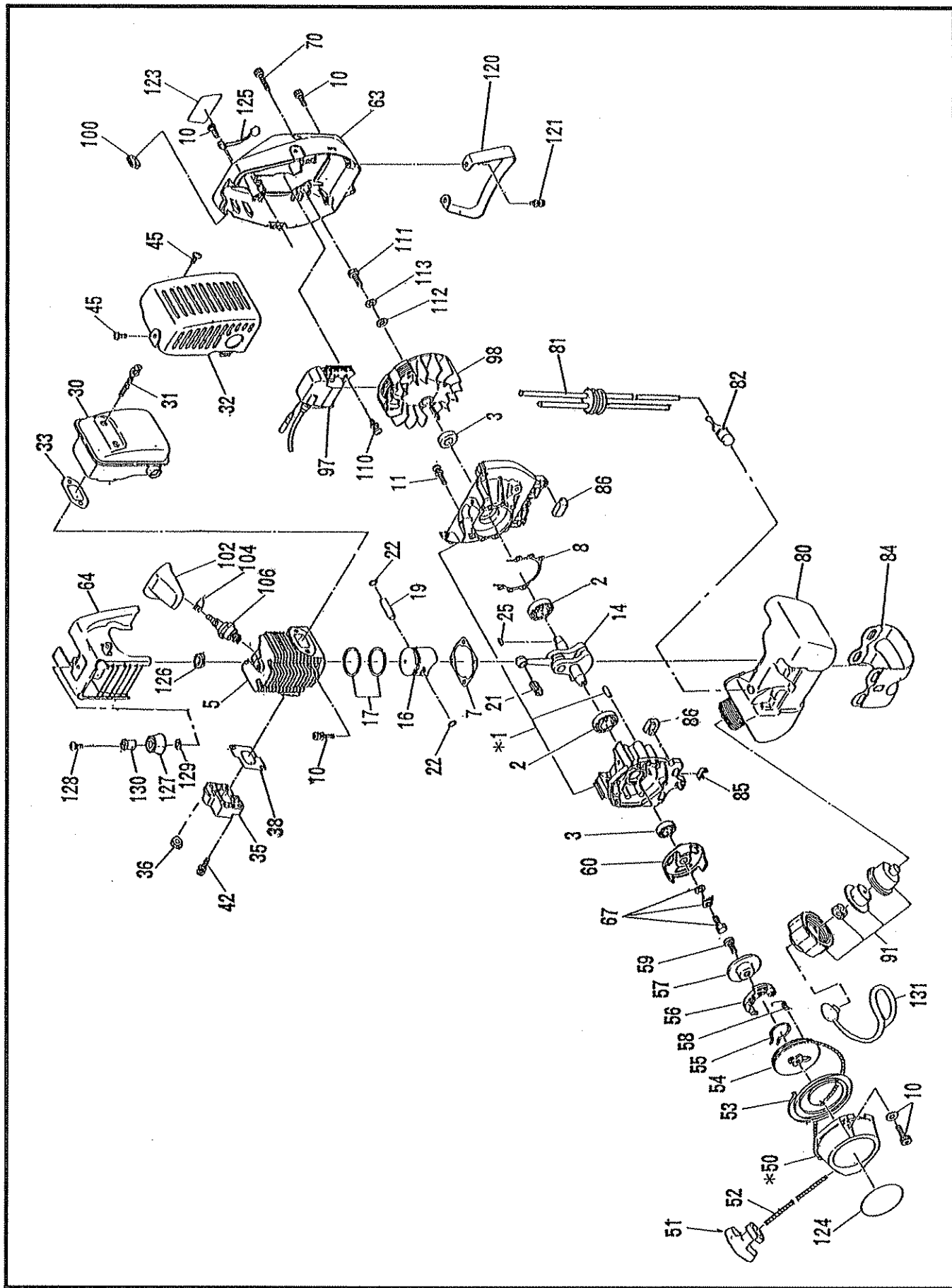
Model NB31

| Ref. No. | Mfg.'s No. | Part Name | Our Part No. | Qty. | | Ref. No. | Mfg.'s No. | Part Name | Our Part No. | Qty. | |
|----------|--------------|---|--------------|------|----|----------|----------------|--|--------------|------|----|
| | | | | A | AU | | | | | A | AU |
| 1 | 625 10020 00 | Pipe, shaft complete (includes 2,3) | 6601 | 1 | 1 | 62 | 630 45010 00 | Grip | 6247 | | 1 |
| 3 | 625 10070 00 | Bush complete | 6602 | 5 | 5 | 63 | 641 40050 00 | Holder, handle assembly (includes 73, 74) | 6717 | | 1 |
| 4 | 625 10250 00 | Shaft assembly (includes 5, 55, 56) | 6605 | 1 | 1 | 63 | 625 40070 01 | Holder, handle assembly (includes 73, 74) | 8034 | 1 | |
| 5 | 0600 12995 0 | Ball bearing | 1688 | 1 | 1 | 65 | 625 50450 00 | Control lever assembly | 6771 | | 1 |
| 8 | 625 15005 00 | Case, clutch | 6609 | 1 | 1 | 70 | 0630 04993 0 | Control cable | 6921 | | 1 |
| 9 | 625 15013 00 | Washer | 8006 | 1 | 1 | 73 | 0119 05984 0 | Socket head bolt (M5 x 25 SW) | 6267 | 4 | 4 |
| 10 | 625 10050 01 | Bush complete | 6613 | 1 | 1 | 74 | 0119 05989 0 | Socket head bolt (M5 x 25 SW) | 6267 | 4 | 4 |
| 11 | 625 15022 00 | Cap, case | 6617 | 1 | 1 | 78 | 625 75002 00 | Cushion | 6917 | | 1 |
| 12 | 0119 05995 0 | Socket head bolt (M5 x 18 SW) | 1223 | 4 | 4 | 80 | 625 40230 00 | Hanger assembly | 5437 | 1 | 1 |
| 13 | 0119 05988 0 | Socket head bolt (M5 x 25) | 6268 | 1 | 1 | 86 | 641 85002 00 | Guard | 6285 | 1 | 1 |
| 20 | 625 20040 00 | Clutch (includes 26-30) | 6619 | 1 | 1 | 90 | 621 80080 02 | Protector assembly (includes 91-93) | 8100 | 1 | 1 |
| 26 | 640 25001 00 | Shoe, clutch | 6620 | 3 | 3 | 91 | 641 85003 02 | Clamp, protector | 6283 | 1 | 1 |
| 27 | 640 25003 00 | Spring | 6621 | 3 | 3 | 92 | 621 80120 01 | Protector complete | 8100 | 1 | 1 |
| 28 | 625 25005 00 | Bolt, clutch | 6623 | 3 | 3 | 93 | 00117 0630 0 | Bolt (M5 x 14 SW) | 5440 | 2 | 2 |
| 29 | 620 25006 00 | Washer | 1143 | 3 | 3 | 95 | 0119 05978 0 | Socket head bolt (M5 x 12 SW W) | 6128 | 3 | 3 |
| 30 | 0200 08991 0 | Washer (wave washer) | 6486 | 3 | 3 | 96 | 621 95195 01 | Label, caution | 3015 | 1 | 1 |
| 35 | 625 30040 00 | Case, gear assembly (includes 36-48, 50, 51, 53) | 6705 | 1 | 1 | 97 | 625 95147 00 | Label, caution | 5434 | 2 | 2 |
| 36 | 625 35022 02 | Case gear | 6624 | 1 | 1 | 98 | 625 45013 00-1 | Bush | 6772 | | 1 |
| 37 | 060 00799 90 | Ball bearing | 1161 | 1 | 1 | 99 | 621 45004 00 | Grip | 6721 | 1 | |
| 38 | 625 30050 00 | Shaft, cutter set | 6708 | 1 | 1 | 100 | 625 50180 00 | Control lever (includes 103, 104) | 6919 | 1 | |
| 39 | 0600 10999 0 | Ball bearing | 8019 | 1 | 1 | 101 | 00919 1220 0 | Clip, tube | 6908 | 1 | |
| 40 | 621 25003 00 | Ball bearing | 8021 | 2 | 2 | 103 | 625 50180 30 | Screw | 6915 | 2 | |
| 41 | 625 35011 00 | Oil seal | 8022 | 1 | 1 | 104 | 541 50011 60 | Nut | 6923 | 2 | |
| 42 | 00314 2400 0 | Snpring, inner | 1187 | 1 | 1 | 109 | 640 95080 00 | Label, model | 6638 | 1 | 1 |
| 43 | 00314 3000 0 | Snpring, inner | 1188 | 1 | 1 | | | | | | |
| 44 | 625 35026 00 | Snpring, outer | 6711 | 1 | 1 | | | | | | |
| 45 | 625 35013 00 | Spacer | 8024 | 1 | 1 | | | | | | |
| 46 | 641 35006 00 | Bolt, oil | 3022 | 1 | 1 | | | | | | |
| 47 | 00113 0630 0 | Bolt assembly (case gear) | 8044 | 1 | 1 | | | | | | |
| 48 | 00113 0612 0 | Bolt assembly (case gear) | 7019 | 1 | 1 | | | | | | |
| 50 | 625 85000 01 | Washer, clamp | 8028 | 1 | 1 | | | | | | |
| 51 | 625 85036 00 | Washer, receive | 6712 | 1 | 1 | | | | | | |
| 53 | 625 85050 00 | Nut | 7312 | 1 | 1 | | | | | | |
| 55 | 00315 1200 0 | Snpring, outer | 1398 | 1 | 1 | | | | | | |
| 56 | 00314 3200 0 | Snpring, inner | 1189 | 1 | 1 | | | | | | |
| 59 | 616 45004 01 | Handle | 6770 | 1 | | | | | | | |
| 60 | 641 45006 00 | Handle | 6246 | | 2 | | | | | | |
| 61 | 625 45000 00 | Grip | 8037 | 1 | | | | | | | |

Control Lever Assembly

Model NB31

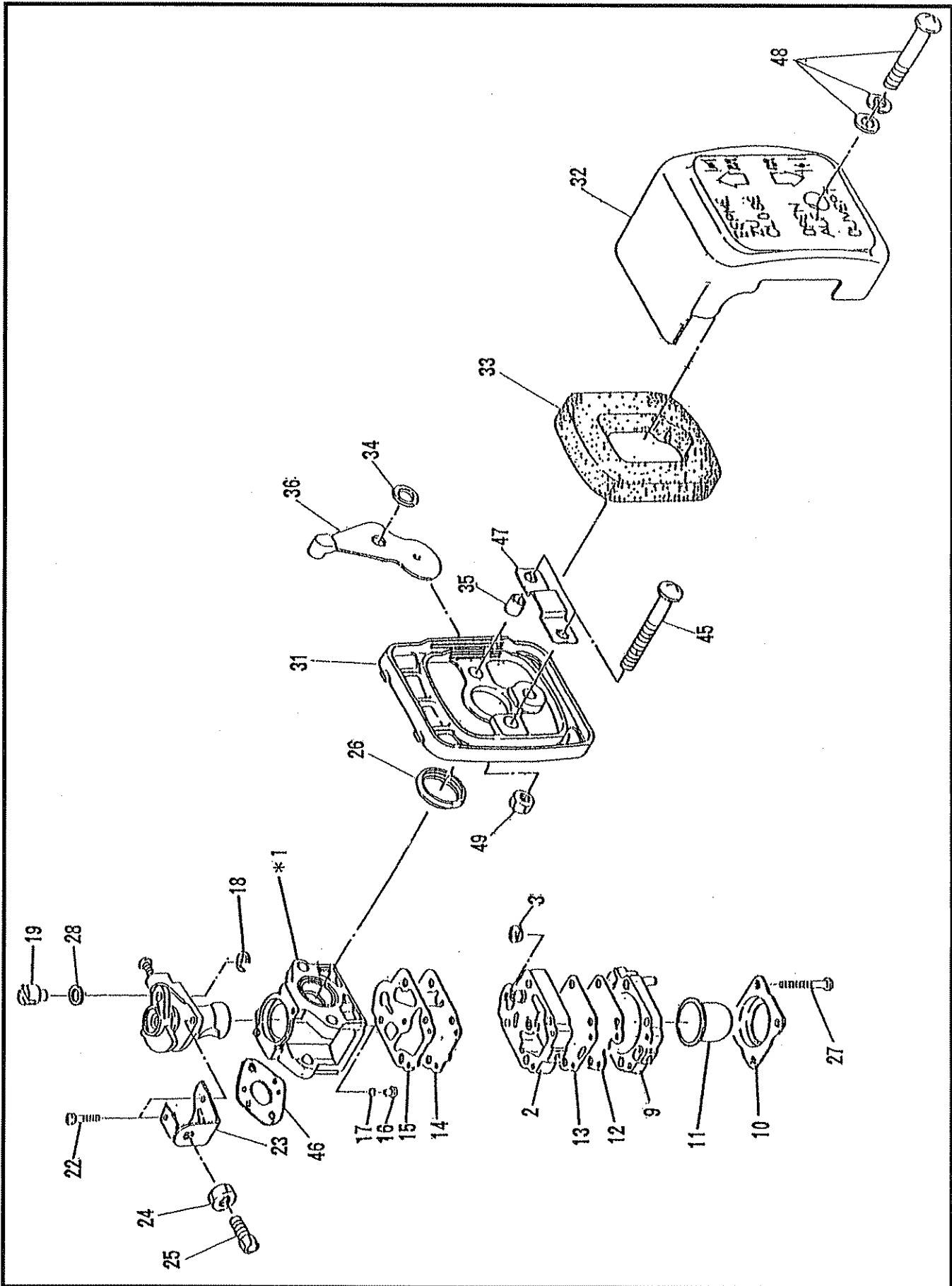


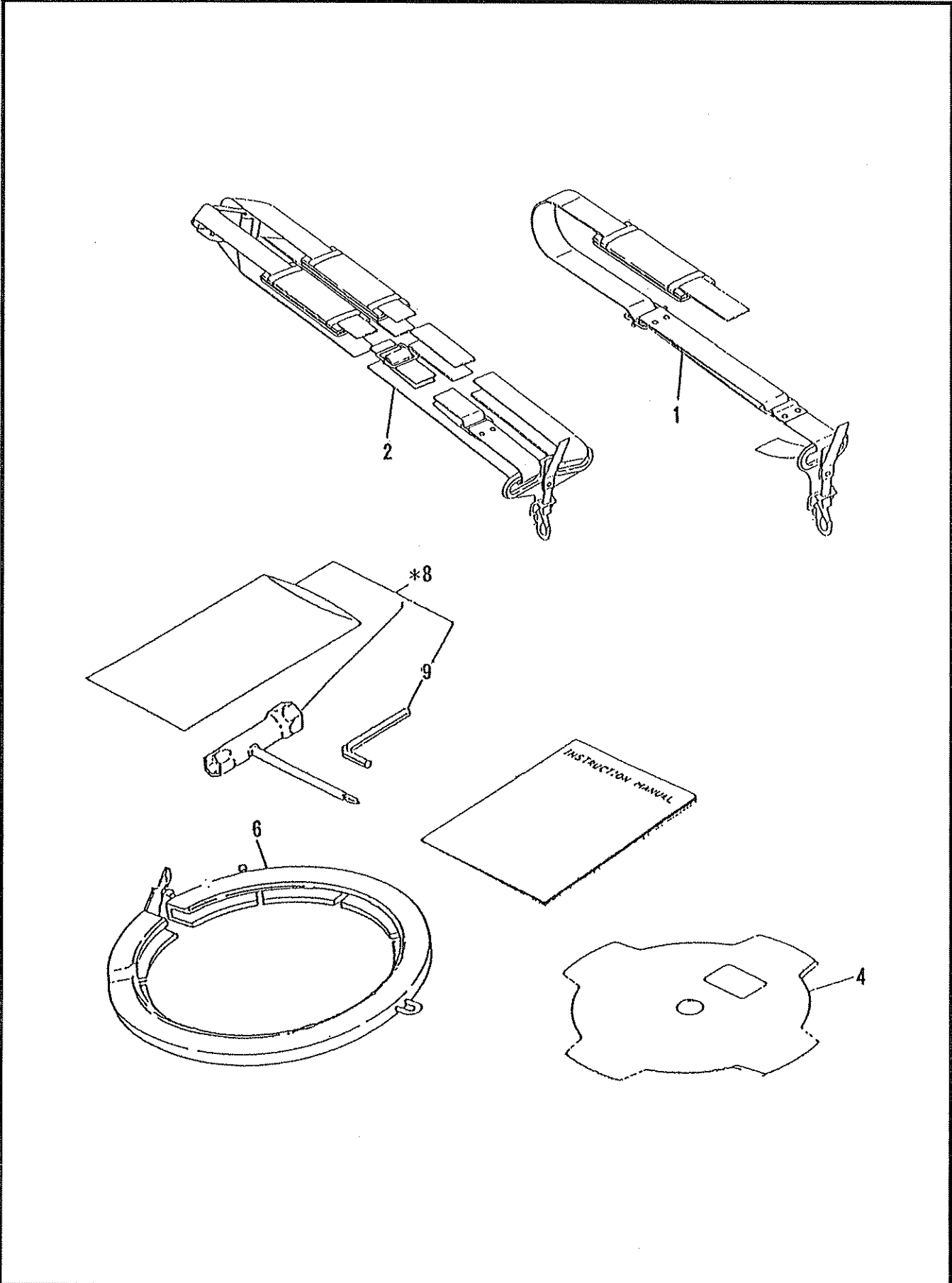


Engine Body

Model NB31

| Ref. No. | Mfg.'s No. | Part Name | Our Part No. | Qty. | Ref. No. | Mfg.'s No. | Part Name | Our Part No. | Qty. |
|----------|--------------|--|--------------|------|----------|----------------|---------------------------------|--------------|------|
| 1 | 531 10020 00 | Crankcase complete (includes 2, 3, 8, 11) | 6629 | 1 | 70 | 0119 05983 0 | Socket head bolt (M5 x 35 SW) | 8512 | 1 |
| 2 | 0600 12992 0 | Ball bearing | 1003 | 2 | 80 | 531 65021 00 | Tank, fuel | 6781 | 1 |
| 3 | 0440 12999 1 | Oil seal | 1002 | 2 | 81 | 0851 16997 0 | Tube | 6782 | 1 |
| 5 | 531 15006 00 | Cylinder | 6625 | 1 | 82 | 523 65039 00 | Filter | 5370 | 1 |
| 7 | 531 15003 00 | Gasket, cylinder | 6636 | 1 | 84 | 531 60010 00 | Strap, fuel tank unit | 6914 | 1 |
| 8 | 531 15004 00 | Gasket, crankcase | 6631 | 1 | 85 | 531 65004 00 | Spacer, fuel tank band | 6672 | 4 |
| 10 | 0119 05995 0 | Socket head bolt (M5 x 18 SW) | 6193 | 9 | 86 | 531 65002 00 | Damper | 6671 | 4 |
| 11 | 0140 05979 0 | Screw (M5 x 25) | 6915 | 4 | 91 | 531 60140 00 | Cap, fuel tank | 5468 | 1 |
| 14 | 531 20020 00 | Crankshaft complete | 6725 | 1 | 97 | 531 70090 20 | Coil | 6768 | 1 |
| 16 | 531 25006 00 | Piston | 6626 | 1 | 98 | 531 70090 10 | Flywheel | 6769 | 1 |
| 17 | 598 25002 00 | Ring, piston | 6627 | 2 | 100 | 531 75001 00 | Grommet, wire | 4216 | 1 |
| 19 | 531 25004 00 | Pin, piston | 6628 | 1 | 102 | 531 75002 00-1 | Cap, spark plug | 6667 | 1 |
| 21 | 0610 08999 0 | Needle roller bearing | 6730 | 1 | 104 | 0654 00993 1 | Spring, plug cap | 6169 | 1 |
| 22 | 0565 08998 0 | Clip | 1015 | 2 | 106 | 0650 14981 0 | Plug, spark | BM6A | 1 |
| 25 | 0323 03999 0 | Woodruff key | 6776 | 1 | 110 | 0119 05973 0 | Socket head bolt (M5 x 20 W SW) | 5333 | 2 |
| 30 | 524 30010 02 | Muffler, exhaust | 6728 | 1 | 111 | 00166 0616 0 | Bolt | 1388 | 1 |
| 31 | 0119 05967 0 | Socket head bolt (M5 x 55) | 6729 | 2 | 112 | 0200 06992 0 | Washer | 7449 | 1 |
| 32 | 531 35003 00 | Cover, muffler | 6650 | 1 | 113 | 00320 0600 0 | Spring washer | 1294 | 1 |
| 33 | 531 35006 00 | Gasket, muffler | 6651 | 1 | 120 | 630 55005 00 | Stand | 6676 | 1 |
| 35 | 531 35005 00 | Insulator | 6777 | 1 | 121 | 0119 05978 0 | Socket head bolt (M5 x 12 W SW) | 6128 | 2 |
| 36 | 00217 0500 0 | Nut | 1112 | 2 | 123 | 625 95016 00 | Label, trade mark | 6673 | 1 |
| 38 | 531 35007 00 | Gasket, insulator | 6669 | 1 | 124 | 625 95236 00 | Label, model | 6783 | 1 |
| 42 | 0119 05963 0 | Socket head bolt (M5 x 20) | 5333 | 2 | 125 | 616 55002 00-1 | Wire | 6907 | 1 |
| 45 | 0140 05992 0 | Screw (M5 x 8) | 6677 | 2 | 126 | 531 55020 00 | Gasket, insulator | 6784 | 1 |
| 50 | 531 50010 01 | Starter, rewind (includes 51-59) | 6778 | 1 | 127 | 531 75003 00 | Protector | 6785 | 1 |
| 51 | 530 50021 10 | Starter knob | 6779 | 1 | 128 | 014 00595 90 | Screw | 6635 | 1 |
| 52 | 524 50010 50 | Starter rope | 3660 | 1 | 129 | 00311 0500 0 | Washer | 6786 | 1 |
| 53 | 510 50150 40 | Spiral spring | 1020 | 1 | 130 | 0230 05999 0 | Spacer | 3640 | 1 |
| 54 | 502 50010 10 | Reel | 1601 | 1 | 131 | 625 50210 01 | Strap unit | 5444 | 1 |
| 55 | 510 50150 50 | Friction spring | 1024 | 1 | | | | | |
| 56 | 510 50150 20 | Ratchet | 1023 | 1 | | | | | |
| 57 | 550 50010 30 | Friction plate | 1603 | 1 | | | | | |
| 58 | 510 50150 60 | Return spring | 1605 | 1 | | | | | |
| 59 | 510 50151 10 | Set screw (M5 x 12) | 7036 | 1 | | | | | |
| 60 | 531 55004 00 | Pulley, starter | 6646 | 1 | | | | | |
| 63 | 531 55000 00 | Housing, blower | 6633 | 1 | | | | | |
| 64 | 531 50040 00 | Cover, cylinder | 6780 | 1 | | | | | |
| 67 | 620 20060 00 | Bolt assembly | 6916 | 1 | | | | | |





Carswell Import & Marketing Associates, Inc./Carswell Distributing Company

3750 N. Liberty Street, Post Office Box 4193
WINSTON-SALEM, NORTH CAROLINA 27115-4193