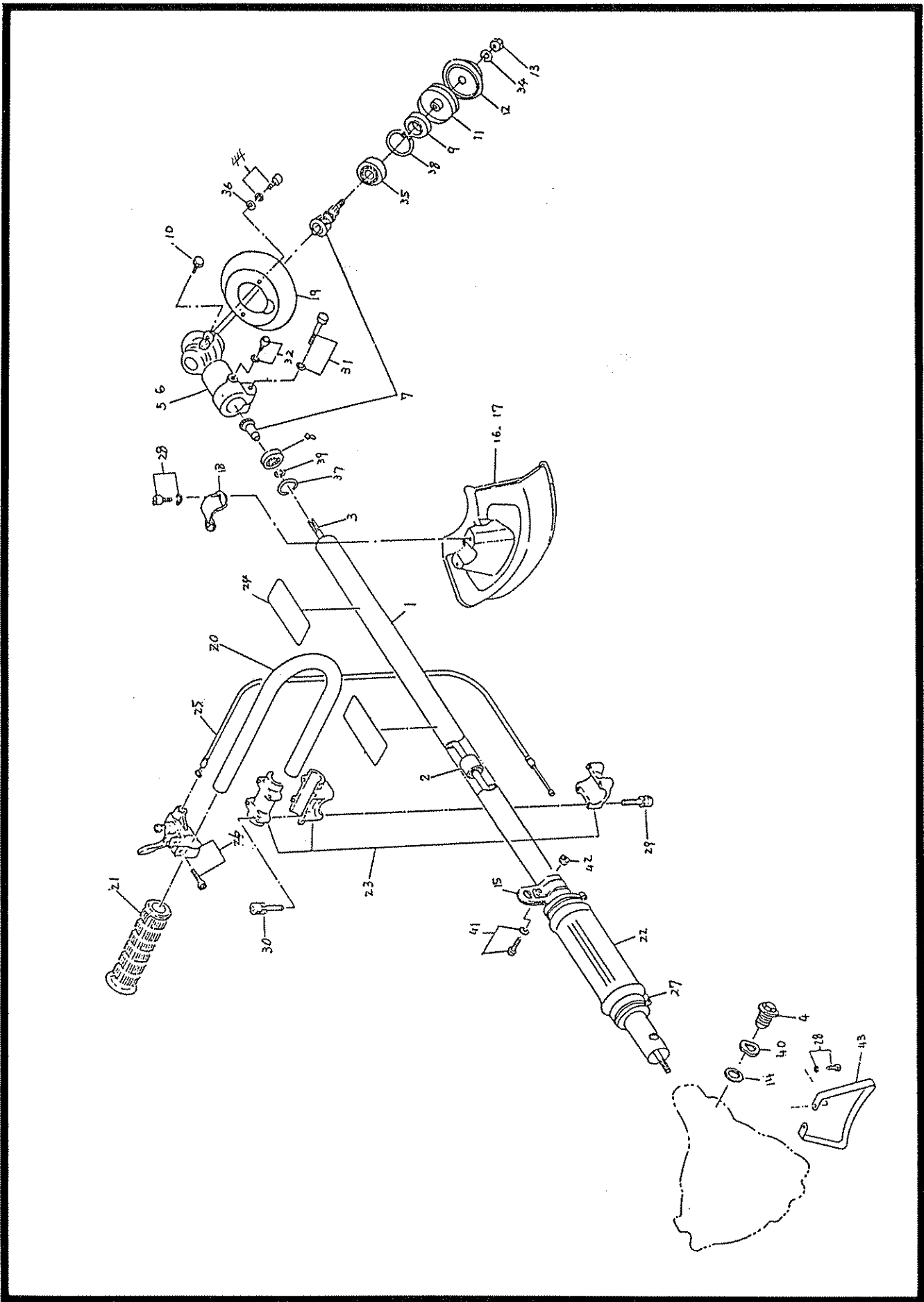




**GRASS TRIMMER/
BRUSH CUTTER**

MODEL NB231

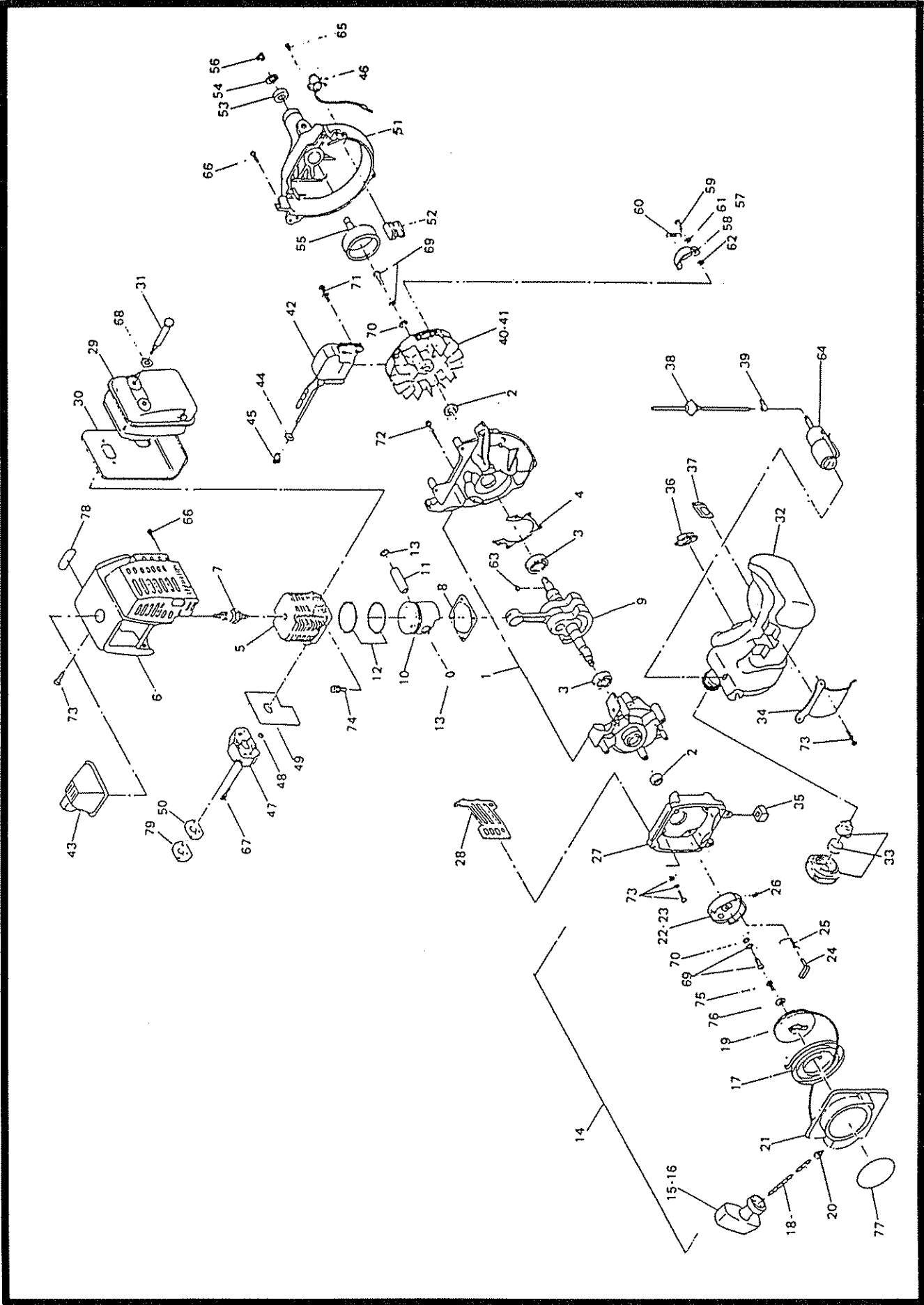
PARTS MANUAL



Machine body

NB231

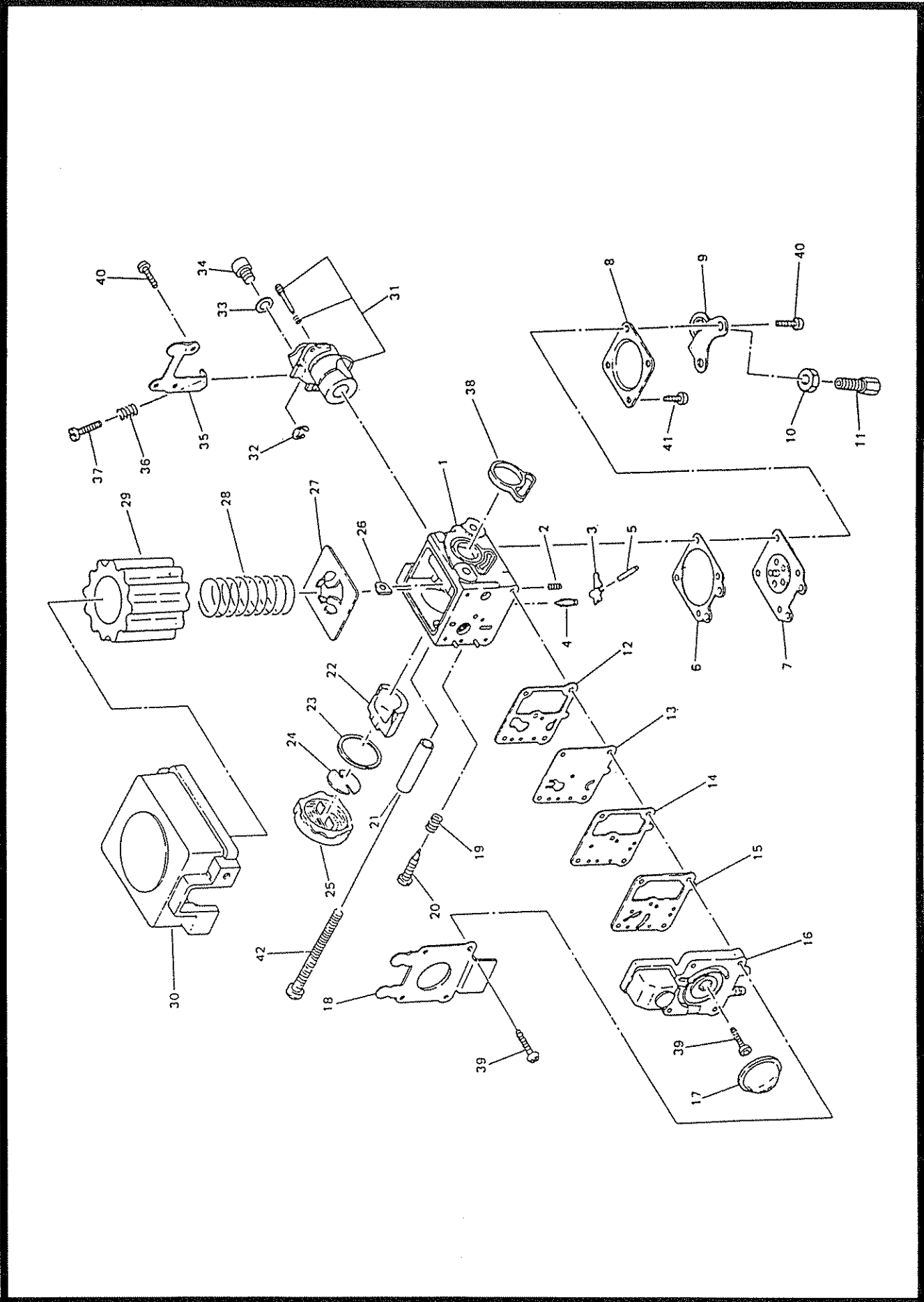
Ref. No.	Mfg.'s No.	Part Name	Our Part No.	Qty.	Ref. No.	Mfg.'s No.	Part Name	Our Part No.	Qty.
1	6211004000	Pipe case ass'y (incl. 2)	3506	1	41	0043105140	Screw	8152	1
2	6211003000	Bearing compl.	3507	5	42	0022705000	Nut (M5)	1703	1
3	6211500300	Long shaft	3508	1	43	6215500600	Stand	3526	1
4	6211005000	Damper pin	3509	1	44	0043105160	Screw	1074	2
5	6213011000	Gear box ass'y (incl. 6-13, 37-39)	3510	1					
6	6213010000	Gear box compl.	3511	1					
7	6213004000	Gear Set	3512	1					
8	6212500300	Ball bearing	3513	1					
9	6213500500	Oil seal (TC 16267)	3514	1					
10	6213500600	Bolt	3515	1					
11	6218500000	Washer (upper)	3516	1					
12	6218003000	Washer compl.	3517	1					
13	6258500501	Nut (M8L)	8029	1					
14	6219500400	Washer (M14)	3518	1					
15	6254004000	Hanger	8007	1					
16	6258008000	Safety cover ass'y (incl. 17, 18, 28)	8031	1					
17	6258014000	Safety cover	8032	1					
18	6258501800	Safety cover fixture	8033	1					
19	6218500200	Safety guard	3519	1					
20	6204500400	Handle	1153	1					
21	6254500000	Grip	8037	1					
22	6214001000	Grip compl.	3520	1					
23	6254007000	Handle joint ass'y (incl. 29, 30)	8034	1					
24	6409508000	Label	3015	1					
25	6255500400	Throttle wire	8149	1					
26	6255004000	Throttle lever compl.	8148	1					
27	6214500200	Band	3521	2					
28	0119059850	Bolt (socket head) (M5x14)	6125	4					
29	0119059690	Bolt (socket head) (M5x25)	3522	4					
30	0119059840	Bolt (socket head) (M5x25)	8151	4					
31	0119059890	Bolt (socket head) (M5x25)	8044	1					
32	0119059900	Bolt (socket head) (M5x12)	3523	1					
34	0203089990	Spring washer (M8L)	1440	1					
35	0600109980	Ball bearing	3525	1					
36	0031005000	Washer (M5)	1183	2					
37	0031424000	Snap ring (inner)	1187	1					
38	0031426000	Snap ring (inner)	6129	1					
39	0031508000	Snap ring (outer)	6130	1					
40	0032214000	Wave washer (M14)	6131	1					



Engine body

NB231

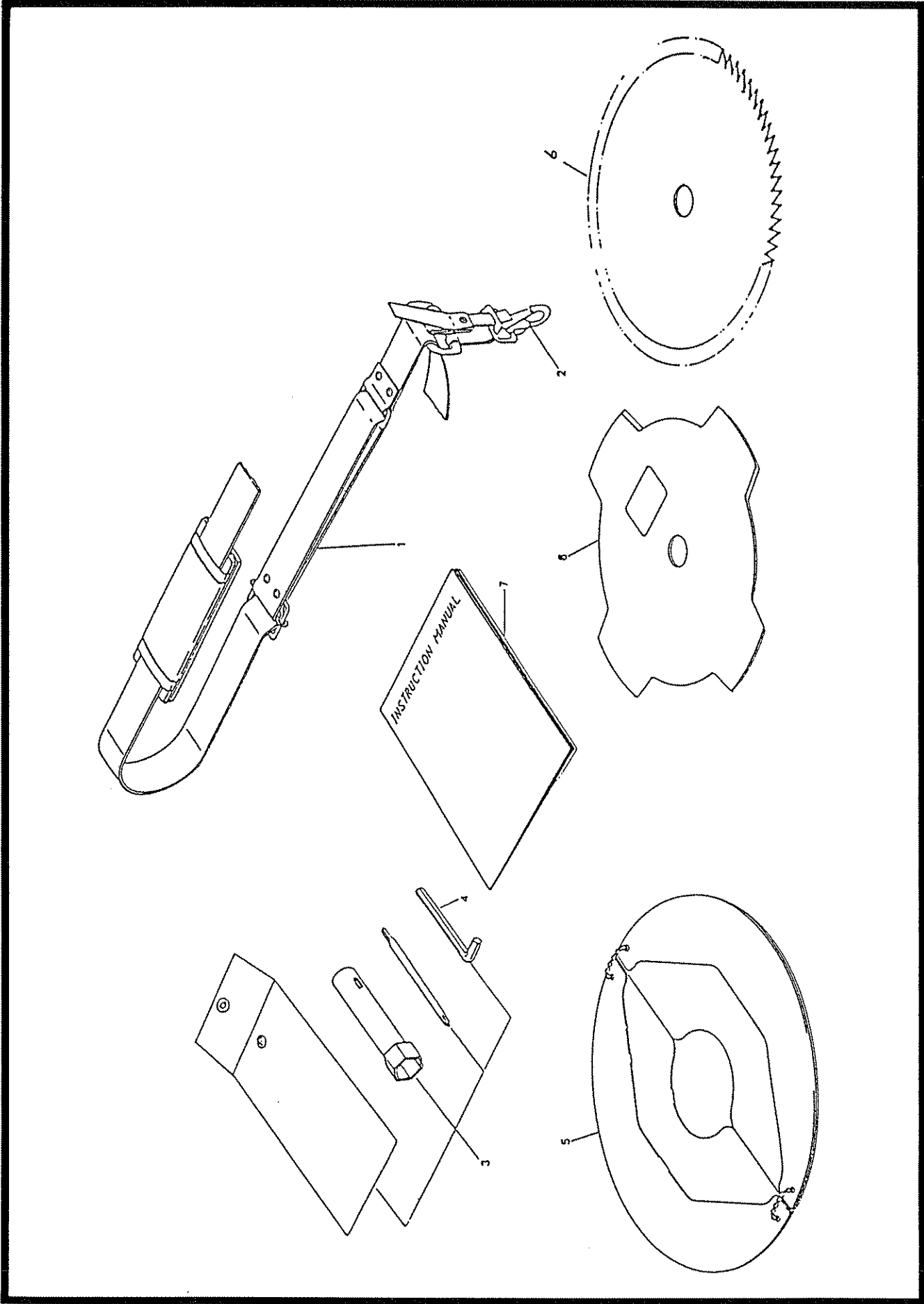
Ref. No.	Mfg.'s No.	Part Name	Our Part No.	Qty.	Ref. No.	Mfg.'s No.	Part Name	Our Part No.	Qty.
1	5211003000	Crankcase compl. (incl. 2-4)	6132	1	40	5217001000	Magneto ass'y (incl. 41, 42)	6164	1
2	0440 12999 1	Oil seal	1002	2	41	5217001010	Flywheel	6165	1
3	0600 12992 0	Ball bearing	1003	2	42	5217001020	Ignition coil	6166	1
4	5211500400	Crankcase packing	6133	1	43	5217500000	Plug cap	6169	1
5	5231500000	Cylinder	3529	1	44	0241055000	Grommet	6168	1
6	5215500100	Main cover	6135	1	45	0654 00995 2	Plug cap spring	6169	1
7	0650 14981 0	Spark plug (NGK-BM7A)	BM7A	1	46	0662009840	Stop button compl.	6170	1
8	5231500200	Cylinder packing	3531	1	47	5213004000	(WZ) Insulator ass'y (incl. 48)	6171	1
9	5212001002	Crankshaft compl.	6137	1	48	00217 0400 0	Nut (Insulator)	1112	2
10	5232500000	Piston	3533	1	49	5203500200	Insulator packing	6172	1
11	5242500100	Piston pin	3534	1	50	5213501600	(WZ) Gasket	6173	1
12	5102501000	Piston ring	3535	2	51	6215501000	Holder case	3537	1
13	0565 07999 0	Clip	1015	2	52	5215500300	Plate	6175	1
14	5215001000	Recoil starter compl. (incl. 15-26, 75, 76)	6141	1	53	6212500300	Ball bearing	6176	1
15	5215002000	Recoil starter ass'y (incl. 16-21, 75, 76)	6142	1	54	0031424000	Snap ring (inner)	1187	1
16	5215002110	Starter knob	7037	1	55	6212001000	Clutch drum compl.	6177	1
17	5215002030	Spiral spring	6143	1	56	0031508000	Snap ring (outer)	6130	1
18	5215002060	Starter rope	1021	1	57	6212003000	Clutch compl. (incl. 58-62)	6179	1
19	5215002020	Reel	6144	1	58	6252500800	Clutch shoe	6180	2
20	5025001030	Rope guide	6145	1	59	6252500400	Clutch bolt	6181	2
21	5215002010	Starter case	6146	1	60	6252500600	Spring	6184	1
22	5215003000	Starter pulley compl. (incl. 23-26)	6147	1	61	P503-5131A	Washer	6183	1
23	5215003010	Starter pulley	6148	1	62	NB02A-207	Washer	6184	1
24	5215003020	Ratchet	6149	1	63	00532 0310 1	Woodruff key (rear crankshaft)	1077	1
25	5215003030	Return spring	6150	1	64	5016500300	Filter	3112	1
26	5215003040	E ring	6151	1	65	0150049970	Tapping screw	6186	2
27	5215500400	Recoil starter plate	6152	1	66	0150059990	Tapping screw	6187	4
28	5215500000	Protect cover	6153	1	67	0140059690	Plus & minus screw ass'y SW-W	8133	2
29	5233001000	Muffler ass'y	3536	1	68	0200089870	Washer	6189	2
30	5213500200	Muffler gasket	6155	1	69	00113 0616 0	Bolt ass'y	6190	2
31	5213500300	Muffler clamping bolt	6156	2	70	00312 0600 0	Washer	1395	2
32	5216500400	Fuel tank	6157	1	71	00431 0516 0	Screw	1074	2
33	5236012000	Fuel tank cap compl.	8050	1	72	00435 0525 0	Screw ass'y	6192	3
34	5216500300	Tank stay	6159	1	73	00436 0518 0	Screw ass'y	4226	9
35	5216500200	Rubber cushion	6160	2	74	0119 05995 0	Bolt (socket head)	1223	2
36	5036500200	Rubber plate (1)	6161	1	75	5105015110	Set screw	6194	1
37	5036500300	Rubber plate (2)	6162	1	76	5215002040	Washer	6195	1
38	0851179990	Rubber tube compl.	6163	1	77	6219503400	Label (Model)	3538	1
39	0561059990	Hose clamp	3114	1	78	5219500200	Trade mark	6197	1
					79	5103503400	Spacer (carburetor)	3123	1



Carburetor

NB231

Ref. No.	Mfg.'s No.	Part Name	Our Part No.	Qty.	Ref. No.	Mfg.'s No.	Part Name	Our Part No.	Qty.
1	5236006000	Carburetor compl. (incl. 2-41)	3538	1	40	5316005340	Screw	3175	4
2	5236006020	Spring, metering lever	3502	1	41	5316005320	Screw, metering cover	3173	2
3	5316005550	Lever, metering	3193	1	42	0140049840	Plus & minus screw ass'y W	3201	2
4	5316005150	Valve, inlet needle	3503	1					
5	5316005510	Pin, metering lever	3189	1					
6	5316005230	Gasket, metering diaphragm	3166	1					
7	5316005250	Diaphragm ass'y, metering	3171	1					
8	5316005030	Cover, metering diaphragm	3206	1					
9	5316005630	Braket, cable	3198	1					
10	5316005450	Nut, cable adjust	3126	1					
11	5316005330	Screw, cable adjust	3120	1					
12	5316005220	Gasket, pump	3167	1					
13	5316005240	Diaphragm, pump	3170	1					
14	5316005520	Plate, pump	3192	1					
15	5316005210	Gasket, plate	3169	1					
16	5316005020	Cover ass'y, pump	3160	1					
17	5316005620	Primer, pump	3197	1					
18	5016002060	Braket, primer pump	3194	1					
19	5316005350	Spring, high speed needle	3179	1					
20	5236006030	Needle, high speed	3181	1					
21	5316005430	Sleeve, mounting	8107	2					
22	5316005710	Filter, wick	8108	1					
23	5316005660	Gasket, intake cap	8109	1					
24	5316005650	Plate, wick	8110	1					
25	5316005640	Cap, intake	8111	1					
26	5316005540	Plate, mounting sleeve	8112	2					
27	5016002050	Plate, cleaner	3119	1					
28	5316005050	Spring, filter	8113	1					
29	5016002040	Filter, air	3117	1					
30	5016002010	Cover, air cleaner	3116	1					
31	5236006010	Valve ass'y, throttle	3504	1					
32	5316005120	Ring, spring retaining	8115	1					
33	5316005460	Washer	8116	1					
34	5316005110	Swivel	8117	1					
35	5016002110	Braket, idle screw	8118	1					
36	5316005360	Spring, idle adjust	8119	1					
37	5316005260	Screw, idle adjust	3311	1					
38	5316005140	Ring, packing	8120	1					
39	5316005310	Screw, pump cover	3172	5					





MEMO

A large rectangular frame intended for writing a memo. The frame is empty, with faint circular marks on the right side suggesting hole punches.

Carswell Import & Marketing Associates, Inc./Carswell Distributing Company

3750 N. Liberty Street, P.O. Box 4193
WINSTON-SALEM, NORTH CAROLINA 27115