



**LEAF BLOWER**

**Model FL40**

**1985-86 Update**

**PARTS MANUAL**

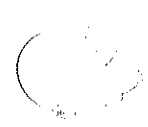


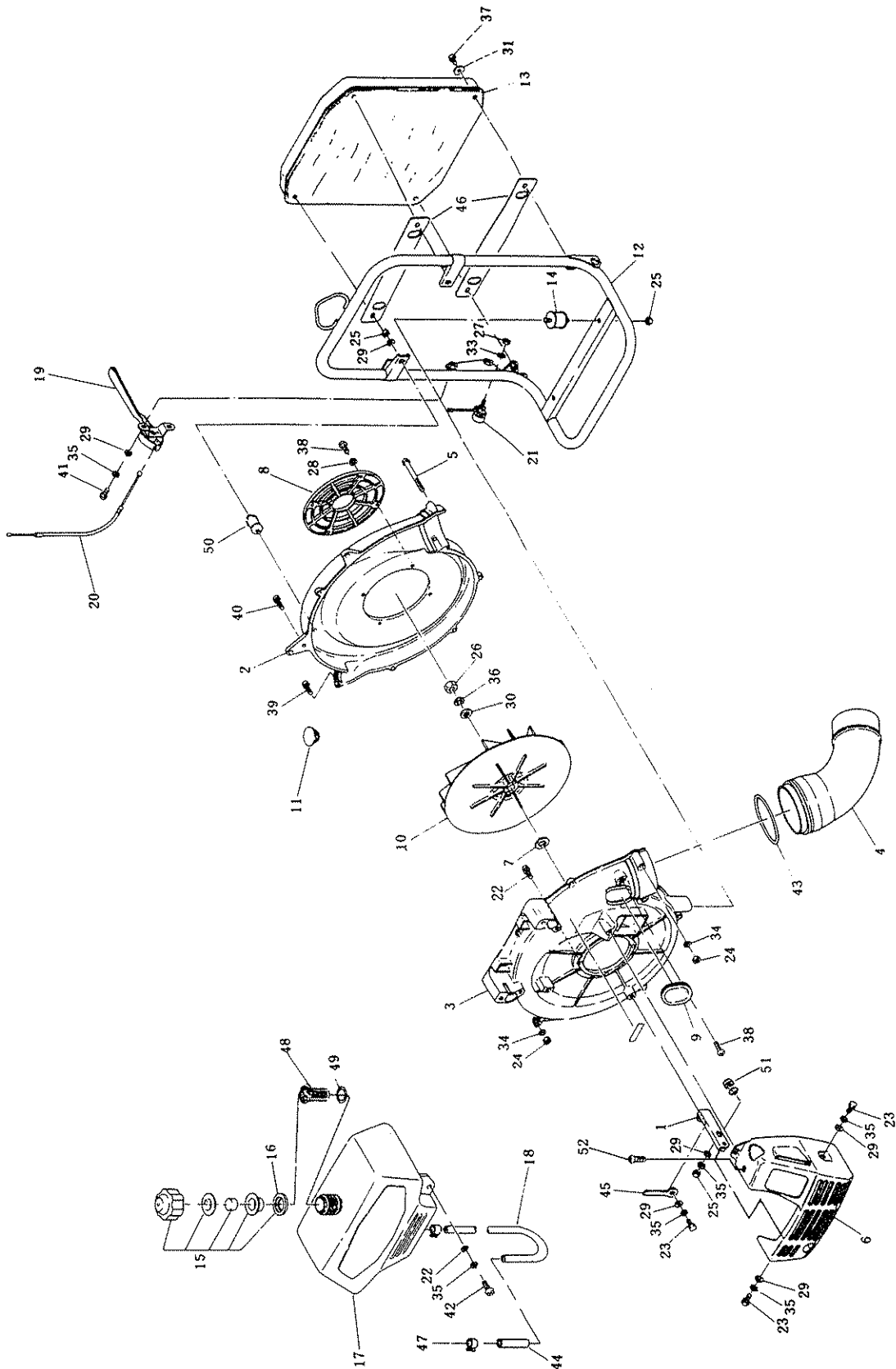
THE FIRST PART OF THE

WORK IS DONE

IN THE SECOND PART

THE THIRD PART OF THE







## Machine body

FL40

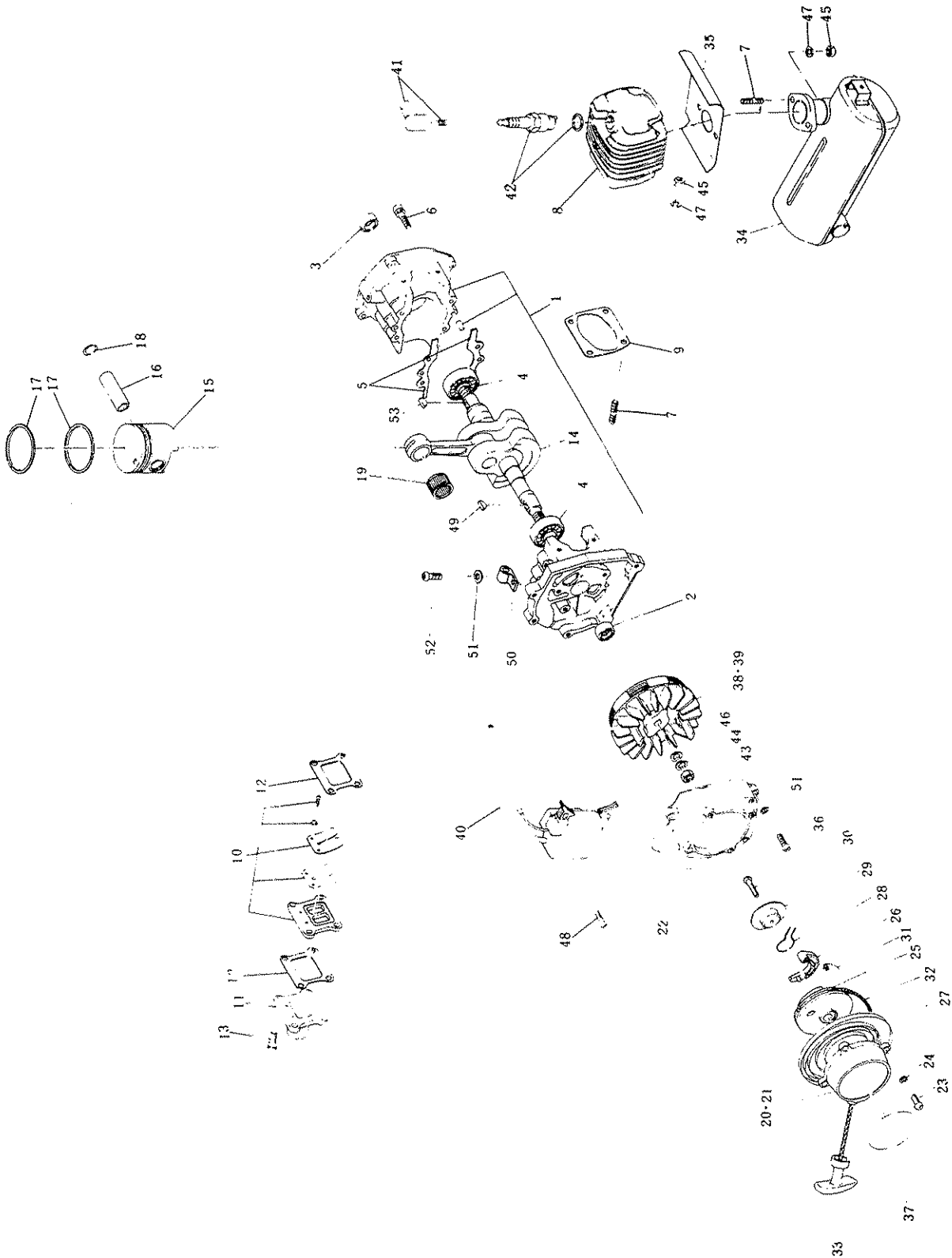
| Ref. No. | Mfg.'s No.   | Part Name                          | Our Part No. | Qty. | Ref. No. | Mfg.'s No.   | Part Name                      | Our Part No. | Qty. |
|----------|--------------|------------------------------------|--------------|------|----------|--------------|--------------------------------|--------------|------|
| 1        | NF04S-0150A  | Muffler mounting plate ass'y       | 7000         | 1    | 39       | 00431 0518 0 | Screw (pan head)<br>(M5×18)    | 1707         | 6    |
| 2        | NF04S-1101G  | Volute case (front)                | 7001         | 1    | 40       | 00431 0520 0 | Screw (pan head)<br>(M5×20)    | 1402         | 1    |
| 3        | NF04S-1102G  | Volute case (rear)                 | 7002         | 1    | 41       | 00431 0610 0 | Screw (pan head)<br>(M6×10)    | 7024         | 2    |
| 4        | NF04S-1104E  | Bent tube                          | 7003         | 1    | 42       | 00431 0616 0 | Screw (pan head)<br>(M6×16)    | 1197         | 4    |
| 5        | NF04S-1107A  | Screw (M5×67)                      | 7004         | 2    | 43       | 00626 3085 0 | O ring                         | 7025         | 1    |
| 6        | FL40-1109    | Engine cover                       | 7005         | 1    | 44       | EC03-6103    | Fuel-line hose protection tube | 7104         | 1    |
| 7        | NF04S-1114   | Impeller spacer                    | 7006         | 1    | 45       | FL40-3103    | Plate                          | 7105         | 1    |
| 8        | NF04S-1115   | Cover                              | 7007         | 1    | 46       | RS02II-202B  | Plate                          | 4287         | 2    |
| 9        | FH04S-1104   | Plug                               | 7008         | 1    | 47       | 0561 13998 2 | Clamp (Hose)                   | 1262         | 2    |
| 10       | NF31-119/1   | Impeller                           | 7009         | 1    | 48       | 0641 27999 0 | Fuel strainer                  | 4297         | 1    |
| 11       | 0420 22998 0 | Plug (rubber)                      | 7010         | 1    | 49       | EC05A-6111   | Packing                        | 4040         | 1    |
| 12       | FL40-2011G   | Frame complete                     | 7011         | 1    | 50       | NB30K-6103   | Vibration-proof rubber         | 7106         | 2    |
| 13       | FL40-2013    | Shoulder pad complete              | 7012         | 1    | 51       | P503-5111    | Plug (rubber)                  | 7107         | 1    |
| 14       | NF40-2101A   | Vibration-proof rubber             | 7101         | 2    | 52       | 00436 0512 0 | Screw ass'y                    | 7108         | 1    |
| 15       | EC02-083     | Fuel tank cap ass'y<br>(inclu. 16) | 4028         | 1    |          |              |                                |              |      |
| 16       | EC02-644     | Packing A                          | 4029         | 1    |          |              |                                |              |      |
| 17       | FL40-3101A   | Fuel tank                          | 7014         | 1    |          |              |                                |              |      |
| 18       | FL40-3102    | Fuel-line hose                     | 7102         | 1    |          |              |                                |              |      |
| 19       | FL40-5011    | Throttle lever                     | 7016         | 1    |          |              |                                |              |      |
| 20       | FL40-5012    | Throttle wire                      | 7017         | 1    |          |              |                                |              |      |
| 21       | EC02-720     | Stop button                        | 1057         | 1    |          |              |                                |              |      |
| 22       | 00113 0618 0 | Bolt (M6×18)                       | 7018         | 4    |          |              |                                |              |      |
| 23       | 00165 0612 0 | Bolt (M6×12)                       | 7019         | 3    |          |              |                                |              |      |
| 24       | 00218 0500 0 | Nut (M5)                           | 7020         | 9    |          |              |                                |              |      |
| 25       | 00218 0600 0 | Nut (M6)                           | 1290         | 5    |          |              |                                |              |      |
| 26       | 00218 1000 0 | Nut (M10)                          | 7021         | 1    |          |              |                                |              |      |
| 27       | 00227 0400 0 | Nut (M4)                           | 1426         | 1    |          |              |                                |              |      |
| 28       | 00310 0500 0 | Washer (M5)                        | 1183         | 4    |          |              |                                |              |      |
| 29       | 00311 0600 0 | Washer (M6)                        | 7022         | 8    |          |              |                                |              |      |
| 30       | 00311 1000 0 | Washer (M10)                       | 7065         | 1    |          |              |                                |              |      |
| 31       | 00312 0500 0 | Washer (M5)                        | 1429         | 4    |          |              |                                |              |      |
| 32       | 00312 0600 0 | Washer (M6)                        | 1395         | 4    |          |              |                                |              |      |
| 33       | 00320 0400 0 | Spring washer (M4)                 | 1293         | 1    |          |              |                                |              |      |
| 34       | 00320 0500 0 | Spring washer (M5)                 | 1286         | 9    |          |              |                                |              |      |
| 35       | 00320 0600 0 | Spring washer (M6)                 | 1294         | 10   |          |              |                                |              |      |
| 36       | 00320 1000 0 | Spring washer (M10)                | 7023         | 1    |          |              |                                |              |      |
| 37       | 00431 0514 0 | Screw (pan head)<br>(M5×10)        | 7103         | 4    |          |              |                                |              |      |
| 38       | 00431 0512 0 | Screw (pan head)<br>(M5×12)        | 1442         | 5    |          |              |                                |              |      |

{

(

(5

|







Engine body

FL40

| Ref. No. | Mfg. 's No.  | Part Name                              | Our Part No.    | Qty. | Ref. No. | Mfg. 's No.  | Part Name                | Our Part No. | Qty. |
|----------|--------------|--|-----------------|------|----------|--------------|--------------------------|--------------|------|
| 1        | EC04-072     | Crank case ass'y (inclu. 2-7)          | 1210            | 1    | 39       | 11100100100  | Flywheel                 | 7041         | 1    |
| 2        | 0440 12999 1 | Oil seal (front)                       | 1002            | 1    | 40       | 11400331000  | Ignition coil            | 7042         | 1    |
| 3        | 0440 15997 1 | Oil seal (rear)                        | 1212            | 1    | 41       | KM61-088c    | Plug cap                 | 1275         | 1    |
| 4        | 0600 15988 0 | Ball bearing                           | 1213            | 2    | 42       | 0650 14995 0 | Spark plug               | 1276         | 1    |
| 5        | EC03-071     | Crank case packing                     | 1214            | 1    | 43       | 0170 08996 0 | Nut (left) (M8)          | 1278         | 1    |
| 6        | 0119 05994 0 | Bolt (socket head) (M5x30)             | 1215            | 4    | 44       | 0203 08999 0 | Spring washer (M8)       | 1440         | 1    |
| 7        | 0105 06994 0 | Stud (M6)                              | 1216            | 6    | 45       | 00218 0600 0 | Nut (M6)                 | 1290         | 6    |
| 8        | EC04-0125    | Cylinder complete (inclu. 7)           | 7109            | 1    | 46       | 00310 0800 0 | Washer (M8)              | 1428         | 1    |
| 9        | EC03-109A    | Cylinder packing                       | 1218            | 1    | 47       | 00320 0600 0 | Spring washer (M6)       | 1294         | 6    |
| 10       | EC04-091A    | Reed assembly                          | 1219            | 1    | 48       | 00433 0420 0 | Screw ass'y (M4x20)      | 7110         | 2    |
| 11       | EC04-104c    | Carburetor bracket                     | 7028            | 1    | 49       | 00532 0310 0 | Woodruff key             | 1077         | 1    |
| 12       | EC03-115     | Reed bracket packing                   | 4014            | 2    | 50       | 0566 05998 0 | Clamp                    | 7043         | 1    |
| 13       | 0119 05995 0 | Bolt (socket head) (M5x18)             | 1223            | 4    | 51       | 00310 0500 0 | Washer (M5)              | 1183         | 4    |
| 14       | EC04-0204A   | Crank shaft assembly                   | 7029            | 1    | 52       | 00431 0510 0 | Screw (pan head) (M5x10) | 1287         | 1    |
| 15       | EC04-206/2B  | Piston                                 | <del>7030</del> | 1    | 53       | 00532 0320 0 | Woodruff key             | 7044         | 1    |
| 16       | EC04-207A    | Piston pin                             | 1228            | 1    |          |              |                          |              |      |
| 17       | EC04-210A    | Piston ring                            | 1229            | 2    |          |              |                          |              |      |
| 18       | 0565 11999 0 | Clip                                   | 1230            | 2    |          |              |                          |              |      |
| 19       | 0610 12996 1 | Needle bearing                         | 1231            | 1    |          |              |                          |              |      |
| 20       | EC04-0516A   | Recoil starter complete (inclu. 21-24) | 7031            | 1    |          |              |                          |              |      |
| 21       | EC04-0513A   | Recoil starter assembly (inclu. 25-33) | 7032            | 1    |          |              |                          |              |      |
| 22       | A50103212700 | Starter case B                         | 7033            | 1    |          |              |                          |              |      |
| 23       | 243051821009 | Screw (M5x18)                          | 7034            | 4    |          |              |                          |              |      |
| 24       | 451050800009 | Washer (M5)                            | 7035            | 4    |          |              |                          |              |      |
| 25       | A54103200100 | Reel                                   | 4017            | 1    |          |              |                          |              |      |
| 26       | A55003210001 | Ratchet                                | 4019            | 1    |          |              |                          |              |      |
| 27       | A60003200000 | Spiral spring                          | 4018            | 1    |          |              |                          |              |      |
| 28       | A60102600000 | Friction spring                        | 1024            | 1    |          |              |                          |              |      |
| 29       | A56002600291 | Friction plate                         | 1603            | 1    |          |              |                          |              |      |
| 30       | 141051251002 | Bind screw (M5x12)                     | 7036            | 1    |          |              |                          |              |      |
| 31       | A60503210000 | Return spring                          | 1605            | 1    |          |              |                          |              |      |
| 32       | A57120950000 | Starter rope                           | 4022            | 1    |          |              |                          |              |      |
| 33       | A57202700000 | Starter knob                           | 7037            | 1    |          |              |                          |              |      |
| 34       | EC04-0364    | Muffler complete                       | 7038            | 1    |          |              |                          |              |      |
| 35       | EC04-3122    | Muffler gasket                         | 1341            | 1    |          |              |                          |              |      |
| 36       | 00431 0520 0 | Screw (pan head) (M5x20)               | 1402            | 3    |          |              |                          |              |      |
| 37       | FL40-9102    | Label (model)                          | 7039            | 1    |          |              |                          |              |      |
| 38       | EC04-0718A   | Magneto complete (inclu. 39, 40)       | 7040            | 1    |          |              |                          |              |      |

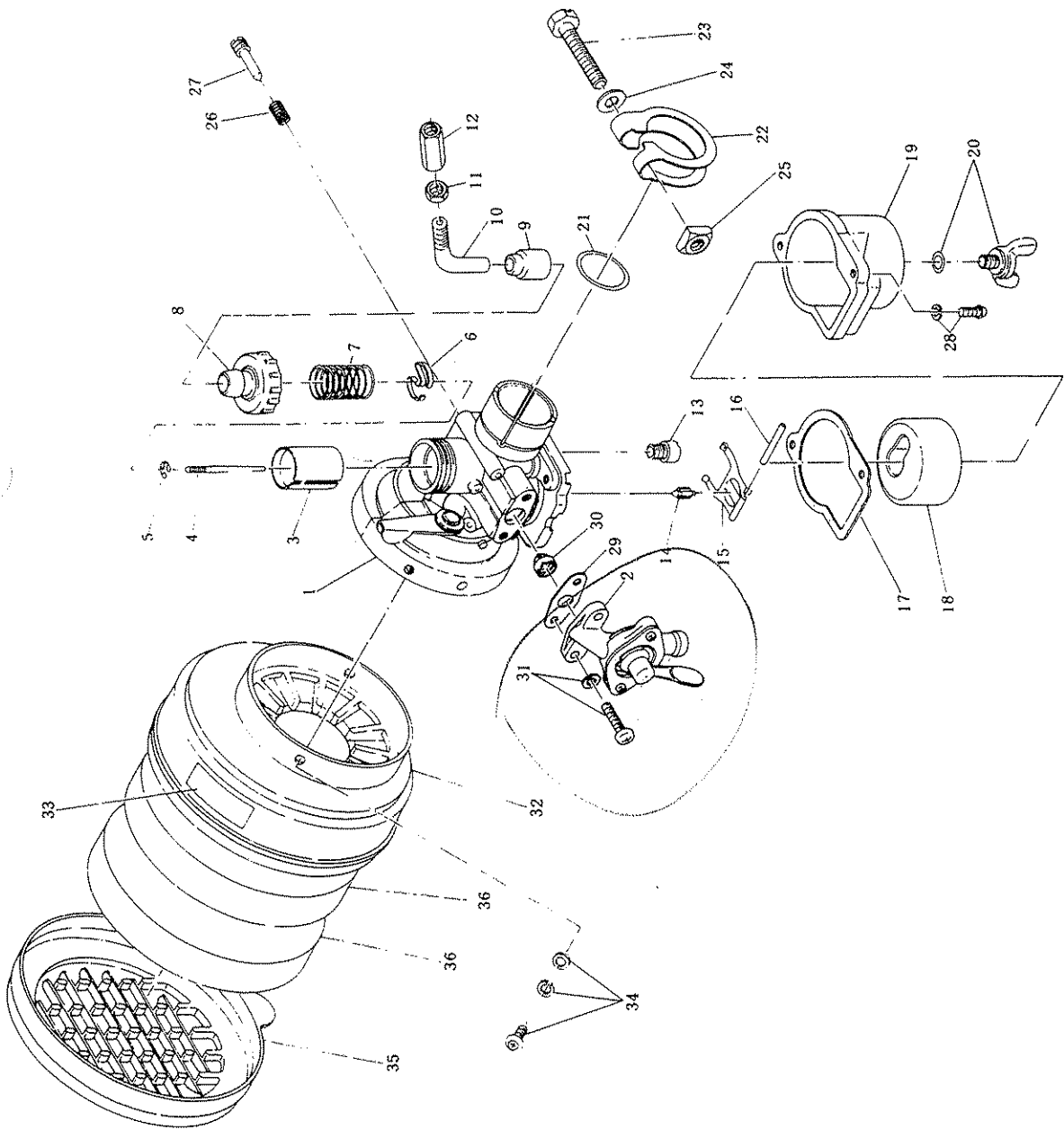
4  
}

C

C

# Carburetor

FL40



10

10

10

10

# Carburetor

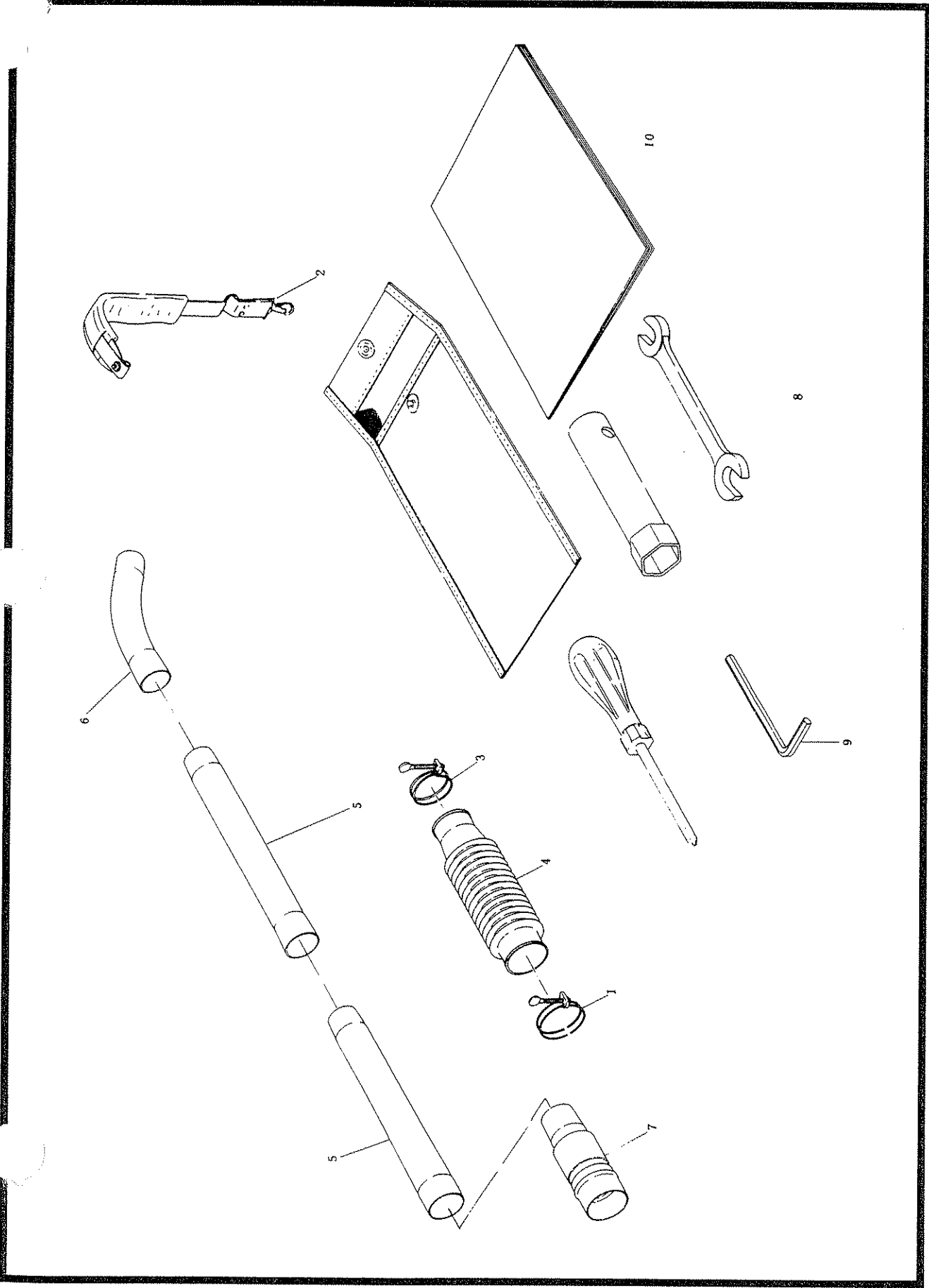
FL40

| Ref. No. | Mfg.'s No.   | Part Name                                   | Our Part No. | Qty. | Ref. No. | Mfg.'s No. | Part Name | Our Part No. | Qty. |
|----------|--------------|---|--------------|------|----------|------------|-----------|--------------|------|
| 1        | EC04-0682    | Carburetor complete<br>(inclu. 2-31)        | 7045         | 1    |          |            |           |              |      |
| 2        | CK/31        | Cock body assembly                          | 4043         | 1    |          |            |           |              |      |
| 3        | 832-16001    | Piston valve (#1.0)                         | 7046         | 1    |          |            |           |              |      |
| 4        | J8-3N05      | Jet needle                                  | 7047         | 1    |          |            |           |              |      |
| 5        | MD14/40      | E ring                                      | 1305         | 1    |          |            |           |              |      |
| 6        | VM14c1/38b   | Spring seat                                 | 1306         | 1    |          |            |           |              |      |
| 7        | VM15/24A     | Spring                                      | 1307         | 1    |          |            |           |              |      |
| 8        | VM16/200     | Top   | 4046         | 1    |          |            |           |              |      |
| 9        | VM12/43      | Cap   | 4047         | 1    |          |            |           |              |      |
| 10       | MD13/44      | Cable guide                                 | 4048         | 1    |          |            |           |              |      |
| 11       | M21/15       | Cable adjuster lock nut                     | 4049         | 1    |          |            |           |              |      |
| 12       | VM24/148     | Cable adjuster                              | 1312         | 1    |          |            |           |              |      |
| 13       | N102-221     | Main jet (#77.5)                            | 4050         | 1    |          |            |           |              |      |
| 14       | VM15/173     | Needle assembly                             | 4051         | 1    |          |            |           |              |      |
| 15       | VM15/353     | Float arm                                   | 4052         | 1    |          |            |           |              |      |
| 16       | VM15/264     | Float pin                                   | 1317         | 1    |          |            |           |              |      |
| 17       | VM15/351     | Gasket                                      | 4053         | 1    |          |            |           |              |      |
| 18       | VM13/139     | Float                                       | 4054         | 1    |          |            |           |              |      |
| 19       | VM13/188     | Float chamber body                          | 7048         | 1    |          |            |           |              |      |
| 20       | EC03-S0010   | Guide screw assembly                        | 4056         | 1    |          |            |           |              |      |
| 21       | VM13/68A     | O ring                                      | 1323         | 1    |          |            |           |              |      |
| 22       | VM13/211     | Clip  | 4057         | 1    |          |            |           |              |      |
| 23       | B2=0630      | Bolt  | 1325         | 1    |          |            |           |              |      |
| 24       | B34/83       | Washer                                      | 1326         | 1    |          |            |           |              |      |
| 25       | VM13/215     | Nut   | 7049         | 1    |          |            |           |              |      |
| 26       | VM15/331     | Spring                                      | 7050         | 1    |          |            |           |              |      |
| 27       | VM18/164A    | Throttle stop screw                         | 7051         | 1    |          |            |           |              |      |
| 28       | CW2=0416     | Spring water cross screw                    | 4060         | 2    |          |            |           |              |      |
| 29       | VM15/348     | Gasket                                      | 4061         | 1    |          |            |           |              |      |
| 30       | VM13/210     | Filter                                      | 4062         | 1    |          |            |           |              |      |
| 31       | CW2=0414     | Spring water cross screw                    | 1333         | 2    |          |            |           |              |      |
| 32       | EC04-0335B   | Air cleaner assembly<br>(inclu. 33, 35, 36) | 7052         | 1    |          |            |           |              |      |
| 33       | 0736 36998 0 | Label                                       | 7053         | 1    |          |            |           |              |      |
| 34       | 00436 0410 0 | Screw assembly (M4x10)                      | 4065         | 4    |          |            |           |              |      |
| 35       | EC04-3304A   | Air cleaner cap                             | 7053         | 1    |          |            |           |              |      |
| 36       | EC04-3305    | Element                                     | 7054         | 2    |          |            |           |              |      |
|          |              |   |              |      |          |            |           |              |      |
|          |              |   |              |      |          |            |           |              |      |

" 4  
(  
(

(  
(

(  
(



Handwritten marks at the top right corner, including a vertical line and a bracket-like shape.

A small handwritten mark or symbol in the middle right section.

A small handwritten mark or symbol at the bottom right corner.





