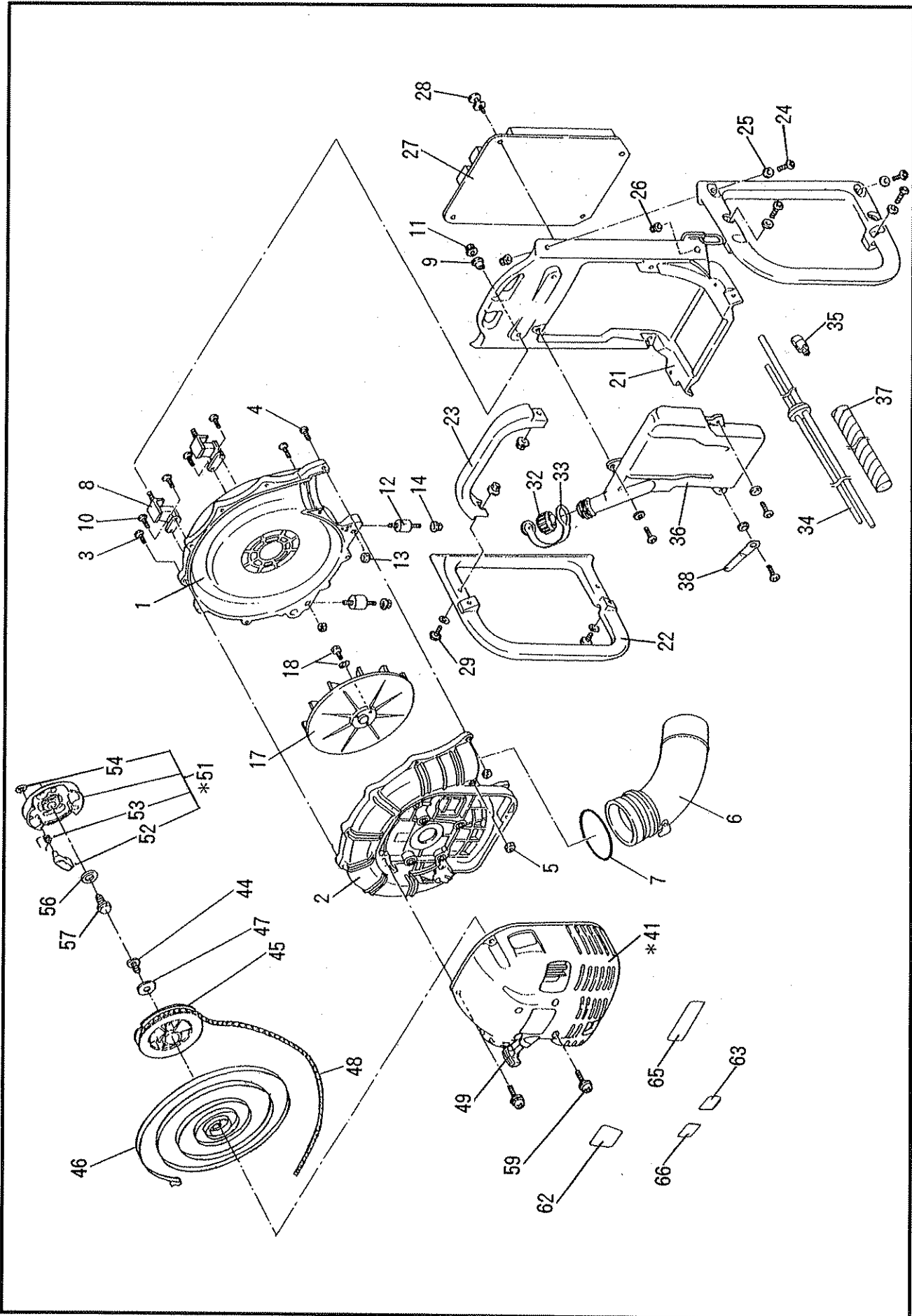




**BACK-PACK
BLOWER**

MODEL FL500

PARTS MANUAL

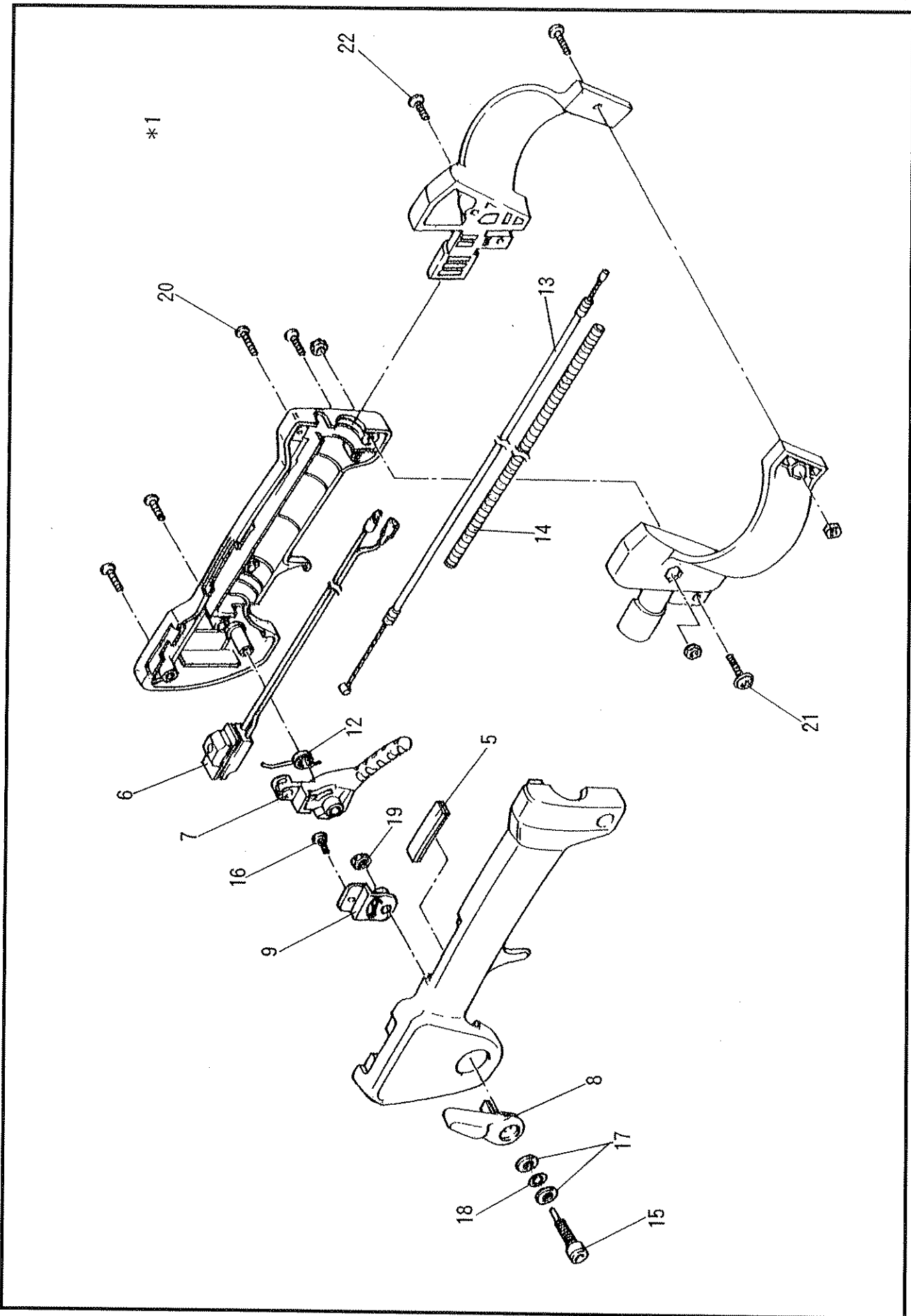


MACHINE BODY

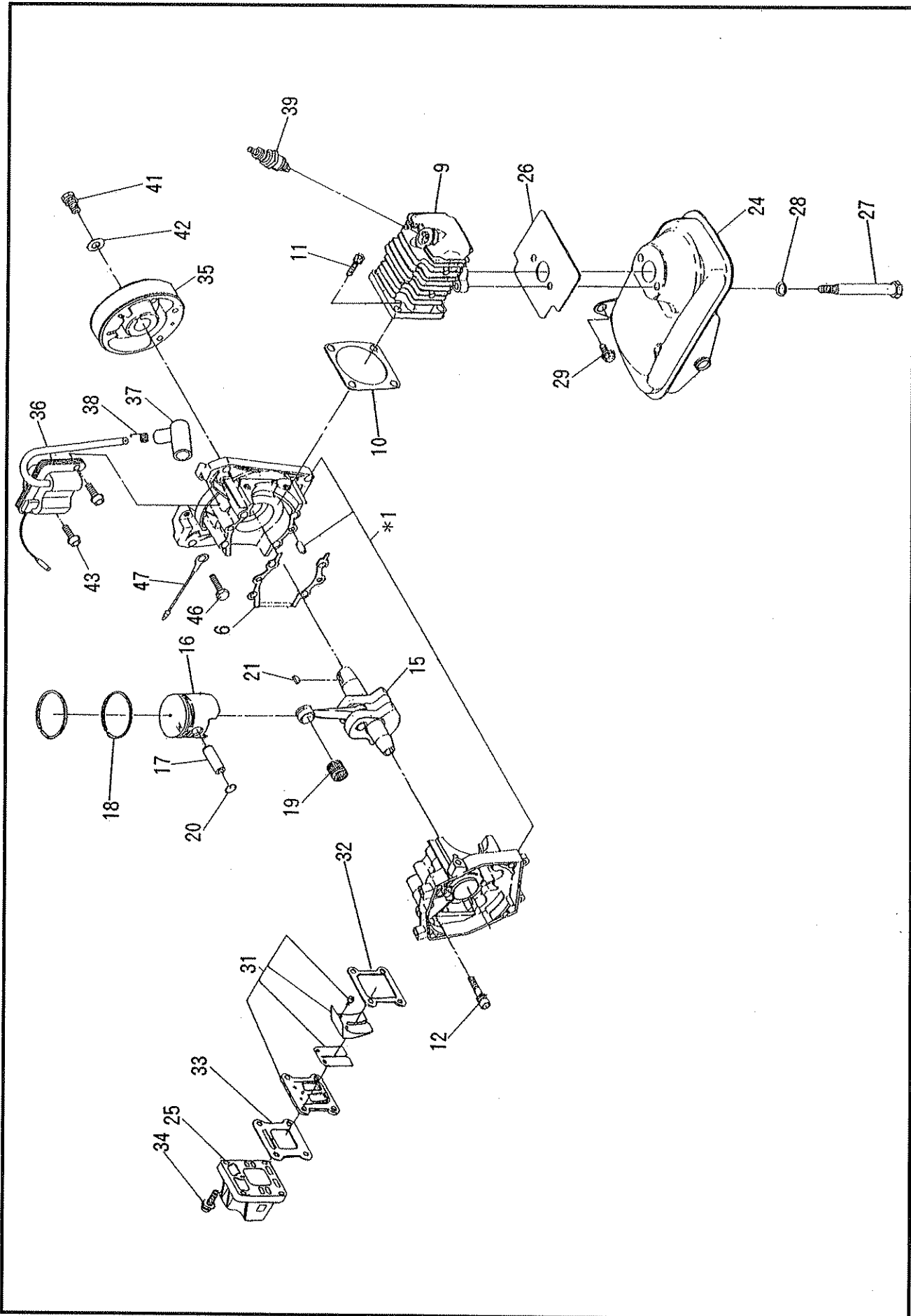
FL500 PARTS LIST

(CE, U.S. SPEC.)

KEY NO.	PART NO.	QTY.	DESCRIPTION	OUR PART NO.	KEY NO.	PART NO.	QTY.	DESCRIPTION	OUR PART NO.
1	662 15002 01	1	Case (1), volute	3401	48	541 50011 40	1	Starter rope	3604
2	662 10040 01	1	Case (2), volute compl.	3402	49	530 50021 10	1	Starter knob	7037
3	0150 05987 0	10	Tapping screw (M5x25)	3403					
4	00436 0525 0	2	Screw ass'y (M5x25 W SW)	3577	*51	541 50110 00	1	Pulley compl.(incl.52-54)	3605
5	00217 0500 0	2	Nut (M5)	1112	52	541 50110 10	1	Ratchet	3607
6	662 10060 01	1	Elbow compl.	3404	53	541 50110 20	1	Return spring	3608
7	00626 3085 0	1	O-ring	7025	54	521 50030 40	1	E-clip	3609
8	662 10050 00	2	Bracket compl.	3405					
9	662 15003 00	2	Spacer	3406	56	0200 06992 0	1	Washer (M6)	7449
10	0150 05991 0	4	Tapping screw (M5x10)	3407	57	00113 0616 0	1	Bolt ass'y (M6x16 W SW)	6190
11	00237 0500 0	2	Flange nut (M5)	9321					
12	662 15004 01	2	Damper	3408	59	00436 0620 0	8	Screw ass'y (M6x20 W SW)	4222
13	00217 0600 0	2	Nut (M6x5)	1290					
14	00237 0600 0	2	Flange nut (M6)	7505	62	662 95063 00	1	Label, model	3419
					63	616 95058 01	1	Label, mark (CE SPEC.)	3420
17	682 15002 01	1	Impeller	3409					
18	00113 0625 0	3	Bolt ass'y (M6x25 SW)	3573	65	660 95086 00	1	Label, caution (CE SPEC.)	3421
					66	662 95068 00	1	Label, sound level (U.S. SPEC.)	3422
21	662 20080 01	1	Frame compl.	3410					
22	662 25006 00	2	Side frame	3411					
23	662 25007 01	1	Knob	3412					
24	00431 0520 0	9	Screw, pan head (M5x20)	3128					
25	00312 0500 0	11	Washer (M5)	1429					
26	00237 0500 0	11	Flange nut (M5)	9321					
27	662 20100 01	1	Cushion Compl.	3413					
28	682 25002 00	4	Rivet, lock	3549					
29	00436 0525 0	2	Screw ass'y (M5x25 W SW)	3577					
32	531 60140 00	1	Cap, fuel tank	5468					
33	625 50210 01	1	Strap unit	5444					
34	662 30030 01	1	Tube	3414					
35	523 65039 00	1	Filter	5370					
36	662 35003 00	1	Tank, fuel	3415					
37	855 85022 00	1	Tube spiral	3416					
38	855 85011 00	1	Clip	3417					
*41	662 80040 00	1	Cover, engine compl.(incl.44-49, 51)	3418					
44	510 50151 10	1	Set screw (M5x12)	3603					
45	541 50030 10	1	Reel	3600					
46	541 50030 20	1	Spiral spring	3601					
47	541 50030 30	1	Washer	3602					



KEY NO.	PART NO.	QTY.	DESCRIPTION	OUR PART NO.	KEY NO.	PART NO.	QTY.	DESCRIPTION	OUR PART NO.
*1	662 50010 02	1	Control lever ass'y(incl.5-9,12-22)	3423					
5	662 55005 00	1	Case, cover	3424					
6	662 50030 01	1	Switch compl.	3425					
7	662 55006 01	1	Lever (1), throttle	3426					
8	662 55007 01	1	Lever (2), throttle	3427					
9	662 50040 00	1	Plate compl.	3428					
12	662 55009 01	1	Torsion spring	3429					
13	0630 13990 1	1	Control cable	3430					
14	662 55010 01	1	Tube, cable	3431					
15	662 55017 00	1	Socket head bolt (M5x30)	3432					
16	0150 04997 0	1	Tapping screw (M4x8)	6352					
17	00311 0600 0	2	Washer (M6)	7022					
18	00322 0600 0	1	Wave washer (M6)	3433					
19	00227 0600 0	1	Nut (M6)	1290					
20	0150 04994 0	4	Tapping screw (M4x16)	3434					
21	00436 0525 0	1	Screw ass'y (M5x25 W SW)	3577					
22	00431 0520 0	2	Screw, pan head (M5x20)	3128					

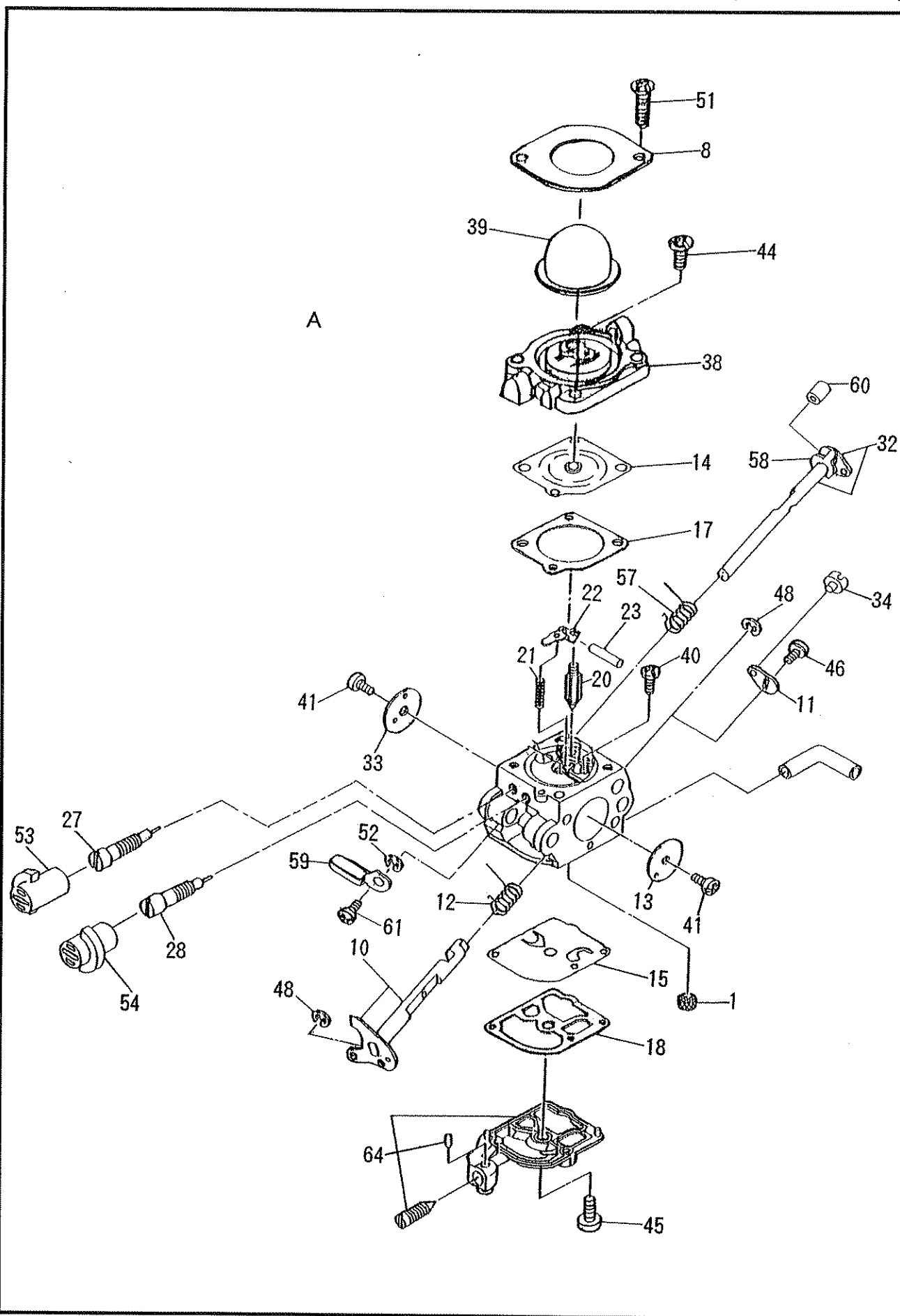


ENGINE BODY

FL500 PARTS LIST

(CE, U.S. SPEC.)

KEY NO.	PART NO.	QTY.	DESCRIPTION	OUR PART NO.	KEY NO.	PART NO.	QTY.	DESCRIPTION	OUR PART NO.
*1	541 10070 00	1	Crankcase compl. (incl.6)	3581					
6	541 15012 00	1	Gasket, crankcase	2108					
9	541 15018 00	1	Cylinder	3435					
10	541 15005 00	1	Gasket, cylinder	3585					
11	0119 06999 0	4	Socket head bolt (M6x18)	1213					
12	0119 05994 0	4	Socket head bolt (M5x30 SW)	1215					
15	541 20240 00	1	Crankshaft compl.	3436					
16	541 25007 00	1	Piston	3437					
17	560 25011 00	1	Pin,piston	3438					
18	560 25009 00	2	Ring, piston	3439					
19	0610 12995 0	1	Needle roller bearing	3440					
20	0565 11999 0	2	Clip	1230					
21	00532 0310 1	1	Woodruff key	1077					
24	541 30450 01	1	Muffler, exhaust	3441					
25	541 30460 01	1	Insulator compl.	3442					
26	541 35017 00-1	1	Gasket, muffler	3591					
27	541 35020 01	2	Bolt, muffler (M6x13)	3592					
28	0200 09999 0	2	Washer (M6)	3593					
29	00115 0616 0	1	Bolt ass'y (M6x16 W SW)	3619					
31	541 30360 00	1	Valve, lead ass'y	3443					
32	541 35028 00	1	Gasket, lead valve	4014					
33	540 35006 00	1	Gasket, insulator	3444					
34	0119 05963 0	4	Socket head bolt (M5x20)	5333					
35	541 70210 10	1	Flywheel	3445					
36	541 70240 21	1	Coil	3446					
37	0655 00994 0	1	Cap, plug	7666					
38	0654 00993 1	1	Spring, plug cap	2115					
39	0650 14966 1	1	Plug, spark (CE SPEC.)	BM6A					
39	0650 14971 0	1	Plug, spark (U.S. SPEC.)	BM6A					
41	00113 0816 0	1	Bolt ass'y (M8x16 SW)	3620					
42	00311 0800 0	1	Washer (M8)	3621					
43	0119 05979 0	2	Socket head bolt (M5x22 W)	6348					
46	00113 0625 0	4	Bolt ass'y (M6x25 SW)	3573					
47	662 80030 00	1	Wire compl.	3447					

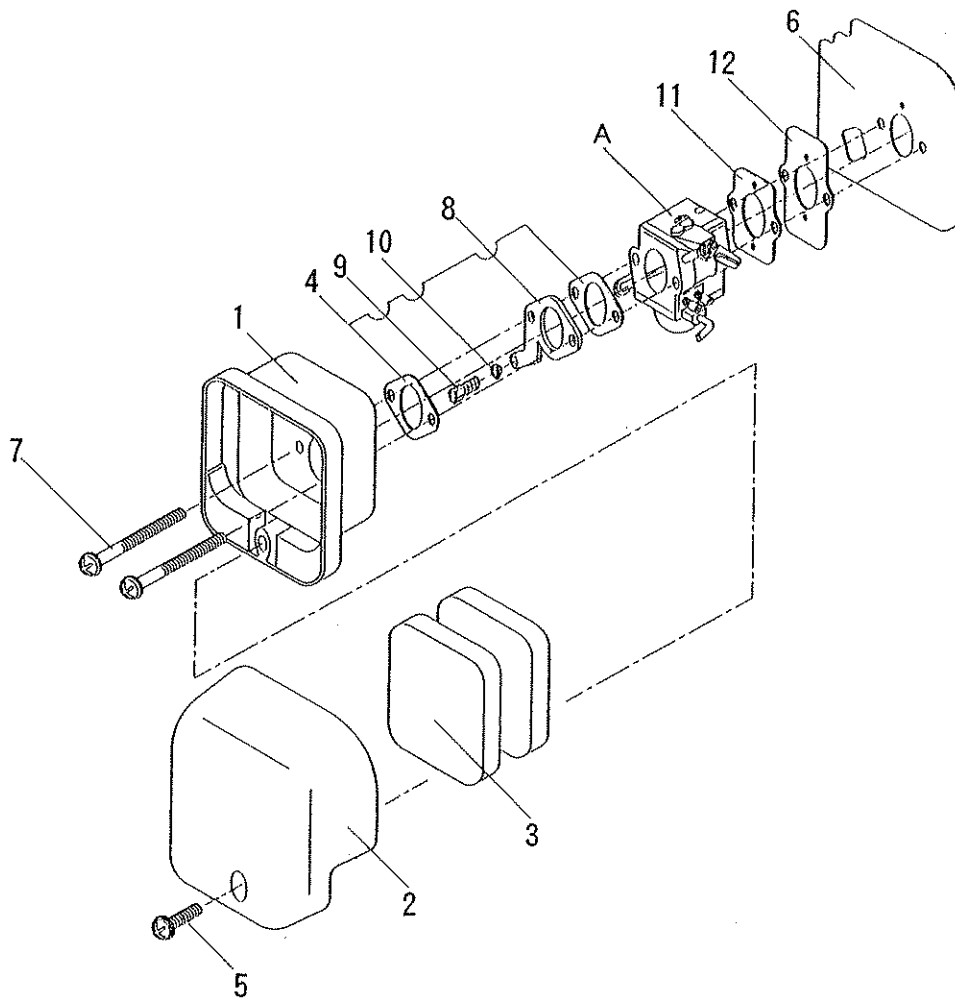


CARBURETOR

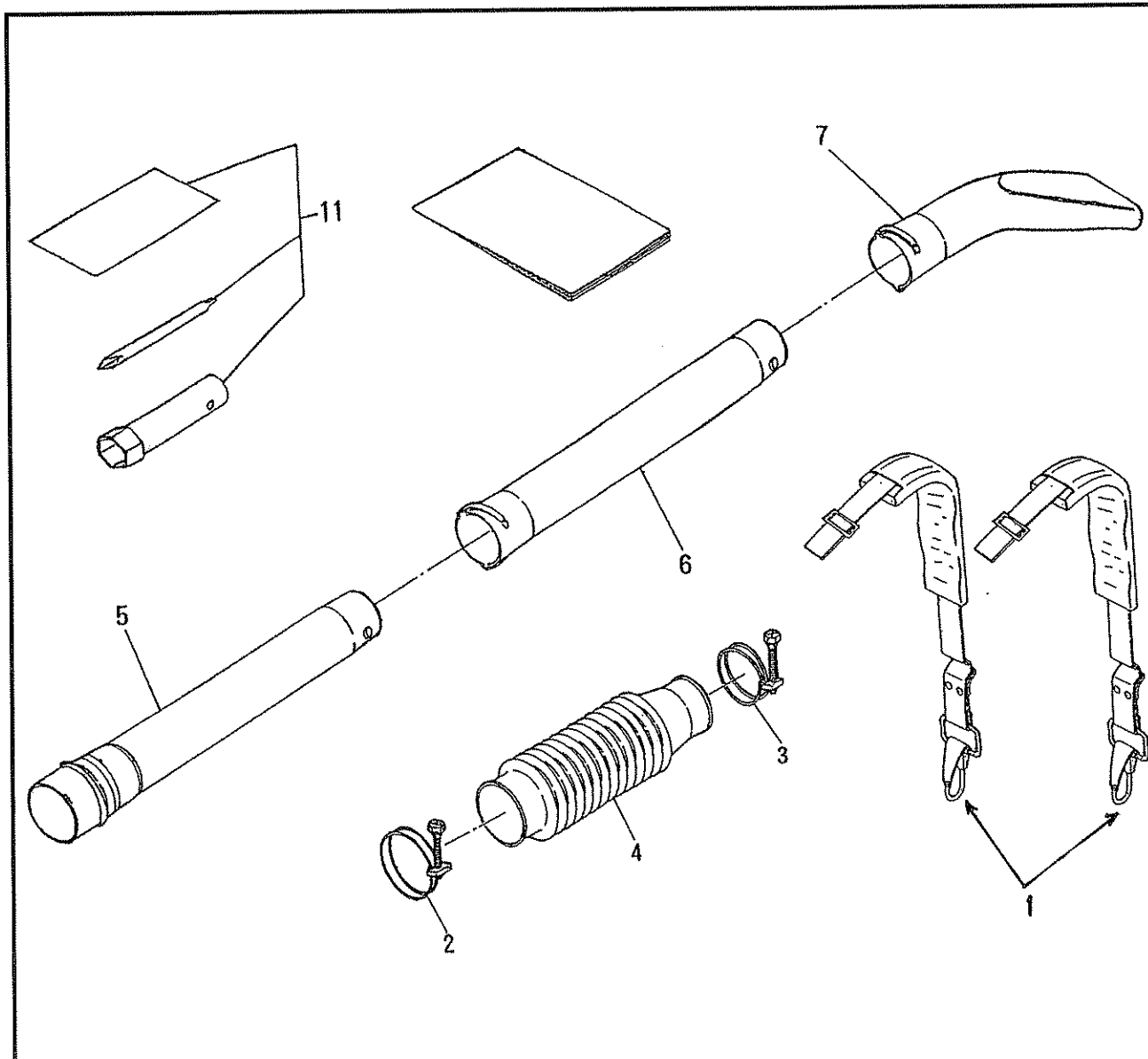
FL500 PARTS LIST

(CE, U.S. SPEC.)

KEY NO.	PART NO.	QTY.	DESCRIPTION	OUR PART NO.	KEY NO.	PART NO.	QTY.	DESCRIPTION	OUR PART NO.
A	541 60430 01	1	Carburetor	3452	54	541 60438 10	1	Limit cap (white)	3489
1	541 60434 30	1	Strainer	3459	57	541 60436 40	1	Spring choke return	3490
					58	541 60435 60	1	Lever choke control	3491
8	541 60434 60	1	Retainer	3460	59	541 60436 60	1	Lever choke	3492
					60	541 60436 10	1	Collar	3493
10	541 60430 20	1	Shaft ass'y throttle	3461	61	541 60437 10	1	Screw	3494
11	541 60435 20	1	Lever throttle	3462					
12	541 60430 30	1	Spring throttle return	3463	64	541 60438 20	1	Cover, kit pump	3495
13	541 60430 40	1	Valve throttle	3464					
14	541 60432 60	1	Diaphragm ass'y	3465					
15	541 60431 10	1	Diaphragm pump	3466					
17	541 60433 10	1	Gasket metaling chamber	3467					
18	541 60431 20	1	Gasket pump	3468					
20	541 60432 10	1	Valve inlet needle	3470					
21	541 60432 20	1	Spring metaling lever	3471					
22	541 60432 30	1	Lever metaling	3472					
23	541 60432 40	1	Pin	3473					
27	541 60433 50	1	Screw main mixture	3474					
28	541 60433 60	1	Screw idle mixture	3475					
32	541 60435 50	1	Shaft ass'y choke	3469					
33	541 60436 20	1	Valve choke	3476					
34	541 60435 40	1	Post	3477					
38	541 60433 20	1	Base ass'y primer	3478					
39	541 60435 10	1	Syringe	3479					
40	541 60432 50	1	Screw	3480					
41	541 60430 50	2	Screw	3481					
44	541 60433 40	2	Screw	3482					
45	541 60431 60	1	Screw	3483					
46	541 60435 30	1	Screw	3484					
48	541 60430 60	2	E-ring	3485					
51	541 60433 30	1	Screw	3486					
52	541 60437 20	1	E-ring	3487					
53	541 60437 60	1	Limit cap (red)	3488					



KEY NO.	PART NO.	QTY.	DESCRIPTION	OUR PART NO.	KEY NO.	PART NO.	QTY.	DESCRIPTION	OUR PART NO.
1	541 30480 01	1	Plate cleaner ass'y	3448					
2	541 35070 01	1	Case, air cleaner	3449					
3	541 35071 01	2	Element, air cleaner	3450					
4	541 35072 00	2	Gasket, air cleaner	3451					
5	00436 0514 0	1	Screw ass'y	5416					
6	541 65043 02	1	Gasket, carburetor	3453					
7	00436 0555 0	2	Screw ass'y	3454					
8	541 65046 00	1	Bracket, cable	3455					
9	521 60080 10	1	Screw cable adjust	3456					
10	00227 0600 0	1	Nut (M6)	1290					
11	541 35079 00	1	Gasket, carburetor	3457					
12	541 35078 00	1	Plate	3458					
A	541 60430 01	1	Carburetor	3452					



KEY NO.	PART NO.	QTY.	DESCRIPTION	OUR PART NO.	KEY NO.	PART NO.	QTY.	DESCRIPTION	OUR PART NO.
1	662 90210 00	1	Band set	3496					
2	662 90190 00	1	Clamp, hose (091)	7056					
3	662 90200 00	1	Clamp, hose (078)	7058					
4	698 95069 00	1	Flexible pipe	7059					
5	670 90170 10	1	Pipe (1)	3497					
6	670 90170 20	1	Pipe (2)	3498					
7	662 95067 00	1	Pipe, end	3499					
11	501 90010 00	1	Tool	3647					

48B3D
9984

Carswell Import & Marketing Associates, Inc. / Carswell Distributing Company
3750 N. Liberty Street, P.O. Box 4193
WINSTON-SALEM, NORTH CAROLINA 27115