

# **Robin**

# **Hedge Trimmer**

## **HT250**

## **HT751**

**Parts breakdown**

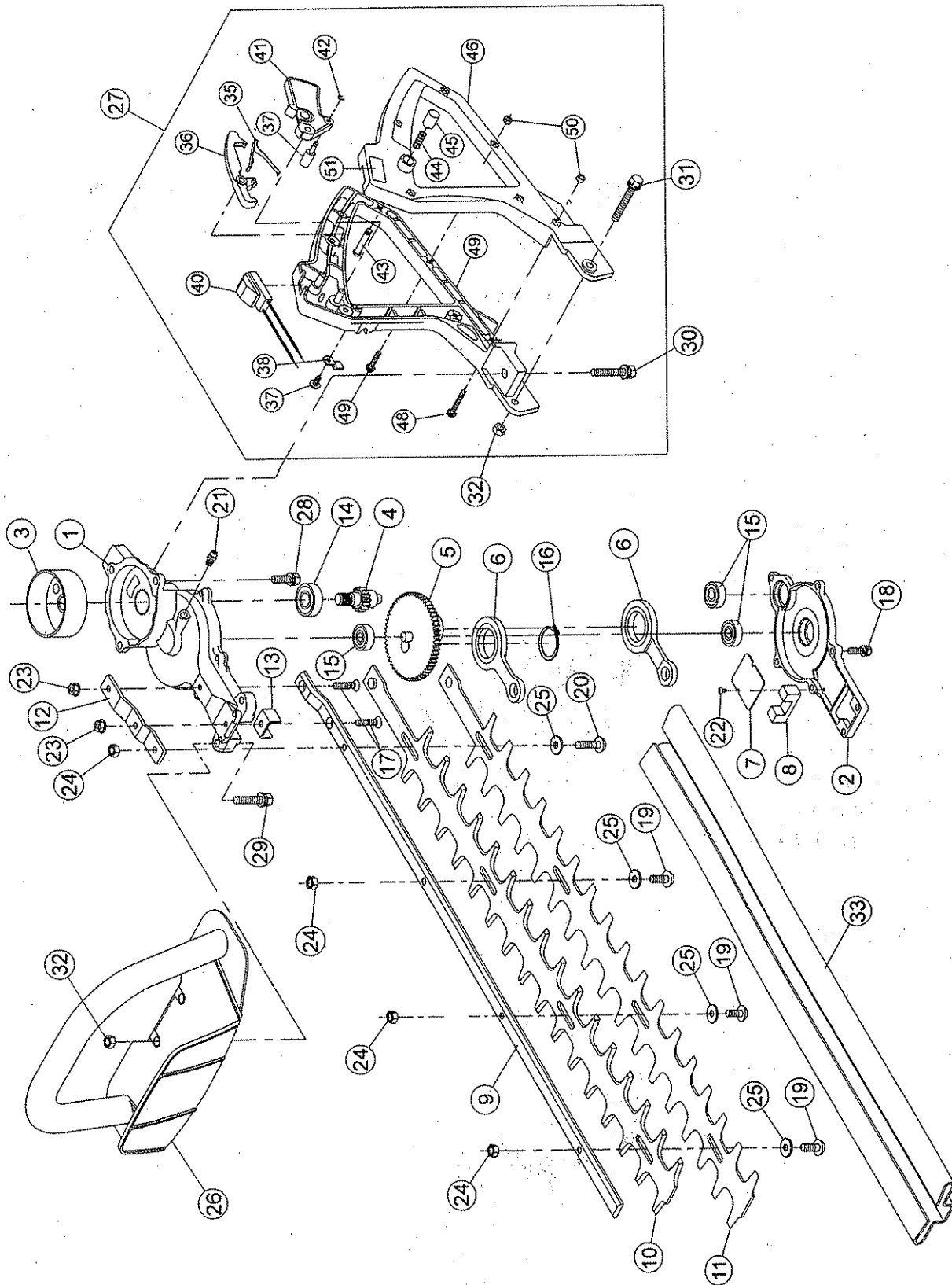
**Important:**

Read this instruction manual carefully before putting the Brush Cutter into operation and strictly observe the safety regulations!  
Preserve instruction manual carefully!

# HT250 PARTS LIST

MACHINE BODY

(U. S. SPEC.)

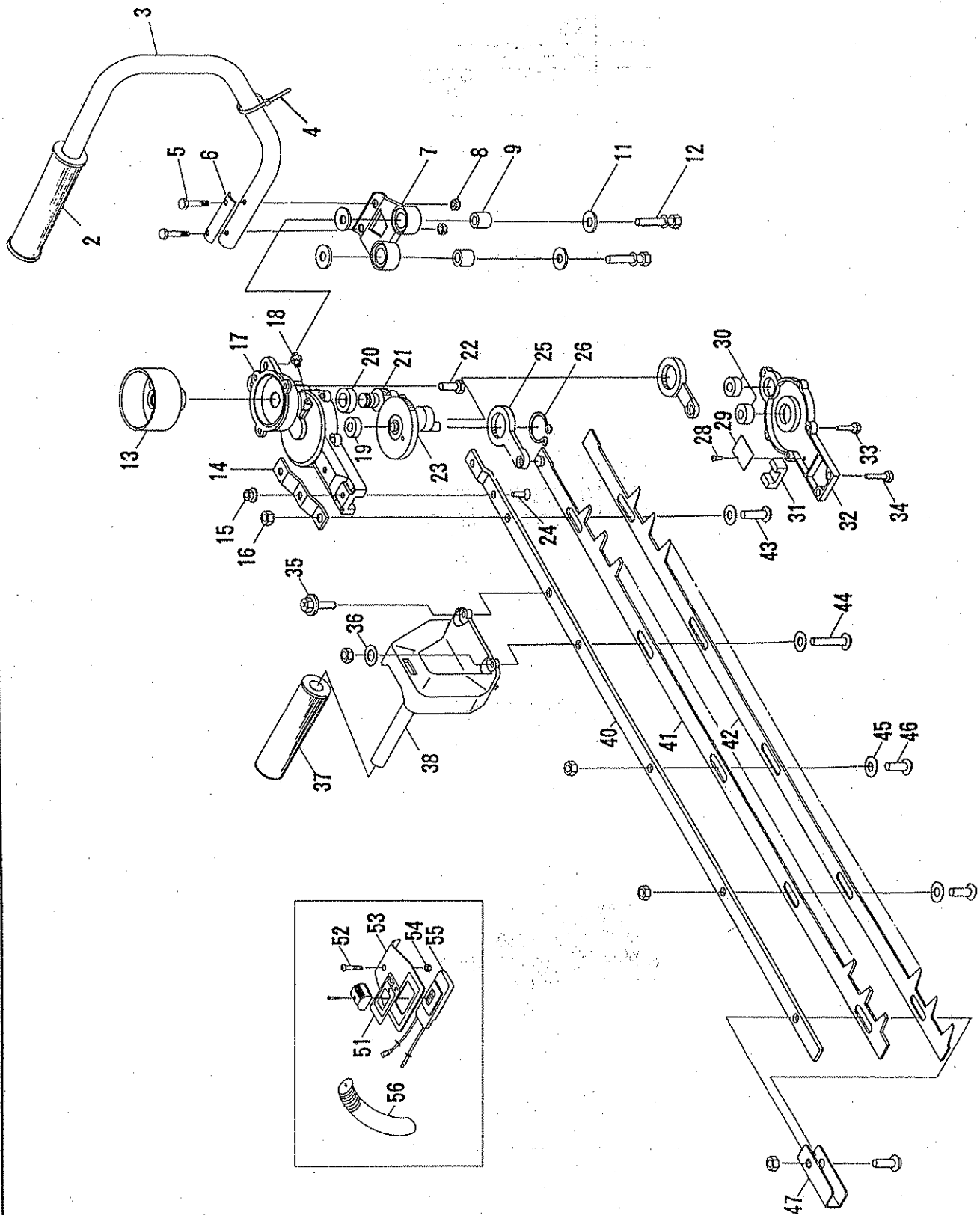


KEY No.	OUR PART No.	QTY.	DESCRIPTION	PART No.
		HT250		
1		1	Upper case	A325-100002
2		1	Lower case	A325-101002
3		1	Drum	136-141
4		1	Pinion	136-142
5		1	Gear crank ass'y	136-003
6	9328	2	Rod	118-100
7	5031	1	Rod slide plate	030-110
8		1	Felt	A325-104004
9	9323	1	Guide plate	118-126
10	9331	1	Upper blade	077-106
11	9334	1	Lower blade	077-107
12		1	Plate	A325-102004
13		1		A325-103004
14		1	Bearing (#6001)	K354-060010
15		3	Bearing (#608Z)	K353-006080
16	6412	1	Snap ring	K283-026000
17		2	Screw (M5 x 20)	K011-050205
18	9336	7	Bolt (M5 x 16 W SW)	K054-050160
19		3	Screw	A040-002009
20		1	Screw	A040-003009
21		1	Grease nipple	R055-000100
22	5030	2	Screw (M3 x 5)	K010-030050
23	9321	2	Flange nut (M5)	K162-050000
24	5069	4	U-nut (M6)	K164-060000
25	5028	4	Washer	008-250
26		1	Front handle	118-155
27	9368	1	Rear handle ass'y (Incl. 35 ~ 51)	118-003
28		2	Bolt (M6 x 16 W SW)	K054-060160
29		2	Bolt (M6 x 35 W SW)	K054-060350
30	9317	1	Bolt (M6 x 40 W SW)	K055-060400
31	9315	1	Bolt (M6 x 50 W SW)	K055-060500
32		3	Nut (M6)	K151-060000
33	9374	1	Blade cover	A028-002039
35		1	Spring	118-162
36	9371	1	Lock lever	118-151
37	9302	1	Screw (M4 x 10)	K112-040100
38	9303	1	Holder	118-121
39	9304	1	Plate	118-111
40	9369	1	Switch	A005-044004
41	9306	1	Throttle lever	118-115
42	9307	1	Snap ring	K280-002500
43	9308	1	Pin	118-112
44	9309	1	Spring	118-114
45	9310	1	Fixing knob	118-113
46	9373	1	Rear handle (L)	118-150
47	9312	5	Screw (M4 x 16 W SW)	K017-040160
48	9313	1	Screw (M4 x 30 W SW)	K017-040300
49	9372	1	Rear handle (R)	118-149
50	4485	6	Nut (M4)	K150-040000
51		1	Label	A052-175004

# HT751 PARTS LIST

MACHINE BODY

(U. S. SPEC.)

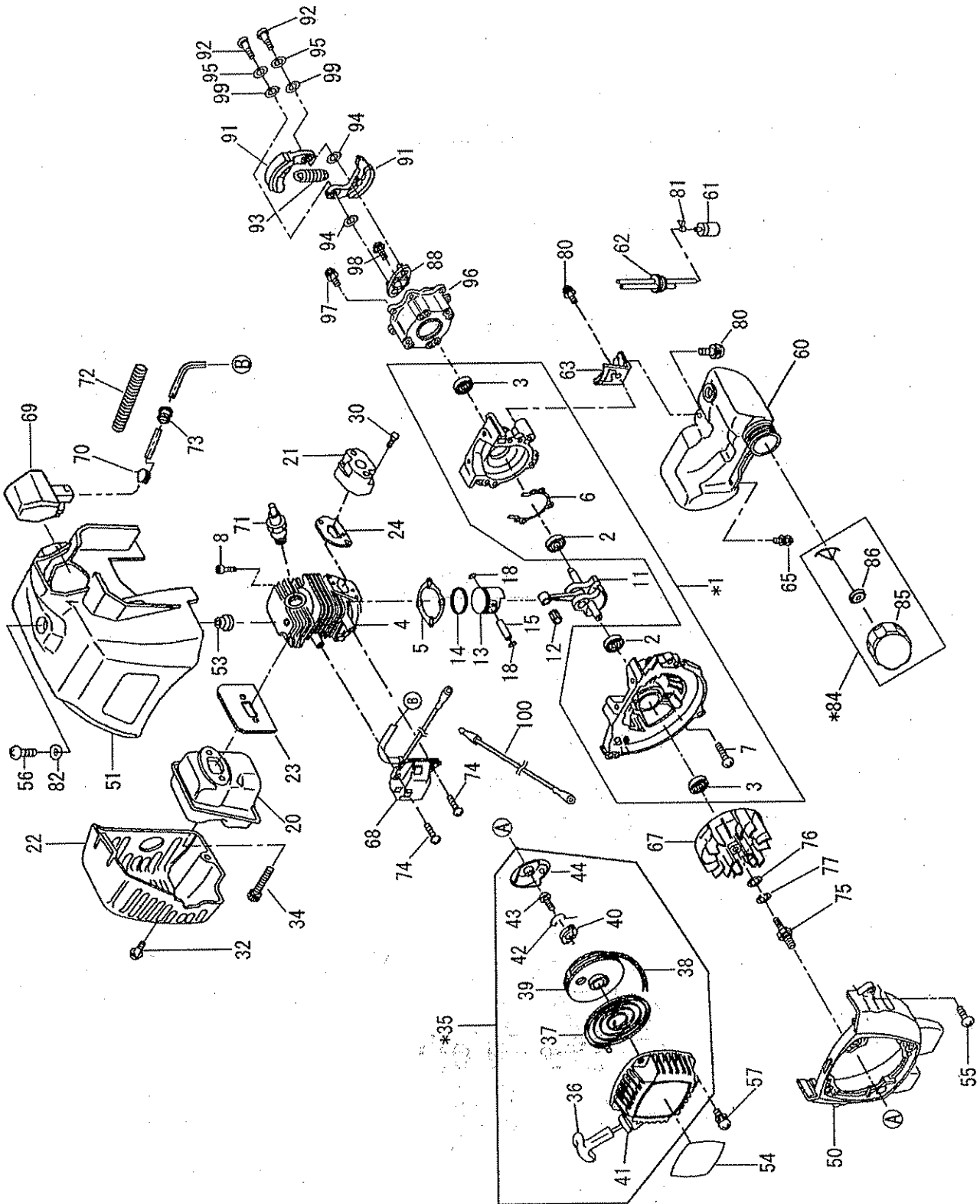


KEY No.	OUR PART No.	QTY.		DESCRIPTION	PART No.
			HT751		
2	9 0 8 6	1		Handle rubber	008-345
3	9 3 7 5	1		Left handle	136-162
4	5 0 5 6	1		Cord binder	R035-002100
5	1 2 1 5	2		Bolt (M5×30)	K040-050301
6	6 4 2 7	1		Handle fitting	136-103
7	6 4 2 9	1		Handle holder	136-100
8	5 0 1 6	2		Nut (M5)	K150-050000
9	9 3 7 6	2		Collar	073-209
11	9 3 7 7	4		Washer	K207-060231
12	9 3 7 8	2		Bolt (M6×25 W SW)	K054-060250
13	6 4 1 5	1		Drum	136-141
14	5 0 1 9	1		Plate	030-108
15	9 3 2 1	2		Flange nut (M5)	K162-050000
16	5 0 6 9	5		U-nut (M6)	K164-060000
17	6 4 1 7	1		Upper case	136-143
18	5 0 9 6	1		Grease nipple	R055-001000
19	9 3 3 2	1		Bearing (#608Z)	K351-006080
20	6 4 2 3	1		Bearing (#6001 2RS)	K354-060010
21	6 4 2 5	1		Pinion	136-142
22	5 0 6 0	3		Bolt (M6×15 W SW)	K054-060150
23	9 3 7 9	1		Gear crank ass'y	136-003
24	5 0 4 4	2		Screw (M5×20)	K011-050200
25	9 3 2 8	2		Rod ass'y	118-100
26	6 4 1 2	1		Snap ring	K283-026000
28	5 0 3 0	2		Screw (M3×5)	K010-030050
29	5 0 3 1	1		Rod slide plate	030-110
30	9 3 3 2	2		Bearing (#608Z)	K351-006080
31	9 3 3 3	1		Felt	118-101
32	9 3 3 5	1		Lower case	118-104
33	9 3 3 6	5		Bolt (M5×16 W SW)	K054-050160
34	9 3 3 7	2		Bolt (M5×20 W SW)	K054-050200
35	9 3 8 0	2		Bolt (M6×20 SW PW)	K055-060202
36	5 1 1 4	1		Washer	K207-060103
37	9 0 8 6	1		Handle, rubber	008-345
38	9 3 8 1	1		Right handle	136-190
40	9 3 8 2	1		Plate, holding	136-118
41	5 0 9 2	1		Upper blade	030-106
42	5 0 9 1	1		Lower blade	030-107
43	5 0 7 1	2		Screw (M6×22)	008-248
44	5 0 7 0	1		Bolt (M6×29)	008-249
45	5 0 2 8	4		Washer	008-250
46	5 0 7 2	2		Bolt (M6×19)	008-247
47	5 0 8 9	1		End reinforce	027-145
51	9 3 8 3	1		Label	A052-145004
52	8 1 6 0	1		Screw (M5×25 W SW)	K016-050250
53	9 3 8 4	1		Stay switch	136-115
54	5 0 1 6	1		Nut (M5)	K150-050000
55	9 3 8 5	1		Switch ass'y	008-373
56	9 3 8 6	1		Corrugated tube	008-371

# HT250-751 PARTS LIST

ENGINE BODY

(U. S. SPEC.)



KEY No.	OUR PART No.	QTY.		DESCRIPTION	PART No.
		HT250	HT751		
1		1	1	Crankcase assy (INCL.2,3,6,7)	5251003000-3
2		2	2	Ball bearing	0600129850
3		2	2	Oil seal	0440129970
4		1	1	Cylinder	5251500201
5		1	1	Gasket,cylinder	5231502304
6		1	1	Gasket,crankcase	5231502202
7		3	3	Screw (M5 x 25 SW)	0140059520
8		2	2	Socket head bolt (M5 x 20 W,SW)	0119059730
11		1	1	Crankshaft compl	5252001001
12		1	1	Needle roller bearing	0610089990-1
13		1	1	Piston	5232501902
14		1	1	Ring,piston	5242500701
15		1	1	Pin,piston	5232502600
18		2	2	Clip	0565089970
20		1	1	Muffler,exhaust	5253071000
21		1	1	Insulator compl	5233014000-2
22		1	1	Cover,muffler	5253500500
23		1	1	Gasket,muffler	5253500102
24		1	1	Gasket,insulator	5253500200
30		2	2	Screw (M5 x 25 W,SW)	0140059500
32		1	1	Screw assy (M5 x 16 W,SW)	0140059290
34		2	2	Socket head bolt (M5 x 50)	0119059550
35		1	1	Starter,rewind (INCL.36~44)	5255052000
36		1	1	Starter knob	5225004020
37		1	1	Spiral spring	5195002050
38		1	1	Starter,rope	5255016020
39		1	1	Reel	5195002030
40		1	1	Collar	5195002110
41		1	1	Damper	5255001040
42		1	1	Swing arm	5195002100
43		1	1	Set screw	5195002060
44		1	1	Pully	5255505900
50		1	1	Housing,blower	5255505700
51		1	1	Cover,cylinder	5255500101
53		1	1	Spacer,cover	5503503001
54		1	1	Label,model	6019509600
54		-	1	Label,model	6019509500
55		3	3	Screw assy (M5 x 18 W,SW)	0140059350
56		1	1	Screw (M5 x 14)	0140059490
57		4	4	Screw assy (M4 x 12 W,SW)	0140049760
60		1	1	Tank,fuel compl	5256025000-2
61		1	1	Filter	5236503900
62		1	1	Tube,assy	5256012001
63		1	1	Plate,tank compl	5256002000
65		2	2	Tapping screw (M5 x 18)	0150059800
67		1	1	Flywheel	5257041010
68		1	1	Coil ignition	5257001021-2
69		1	1	Cap,plug	5237503301-1
70		1	1	Spring,plug cap	0654009931
71		1	1	Plug,spark	0650149810
73		1	1	Grommet	5257500300





