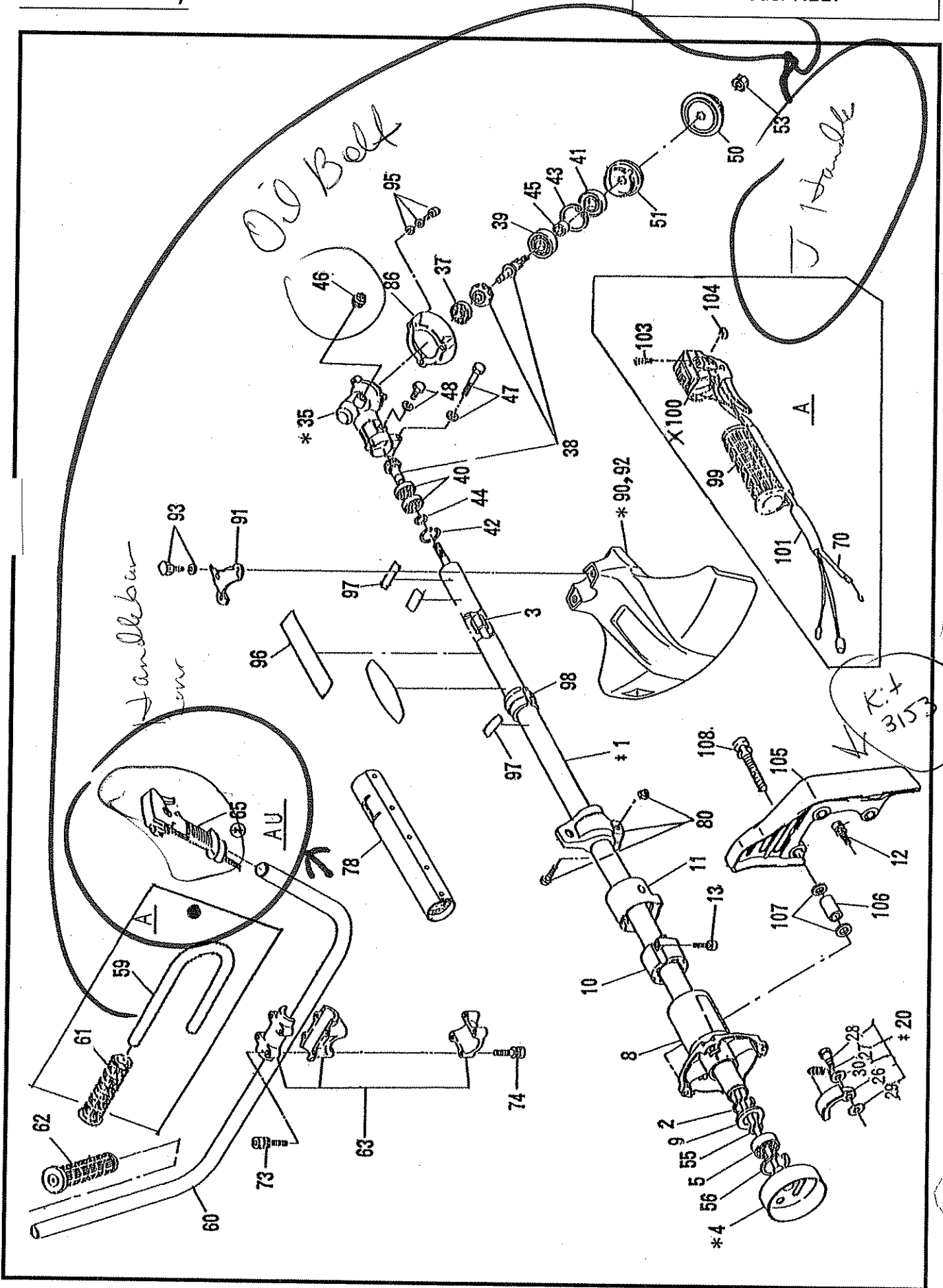




**GRASS TRIMMER/
BRUSH CUTTER**

Model NB27

PARTS MANUAL



Machine Body

Model NB27

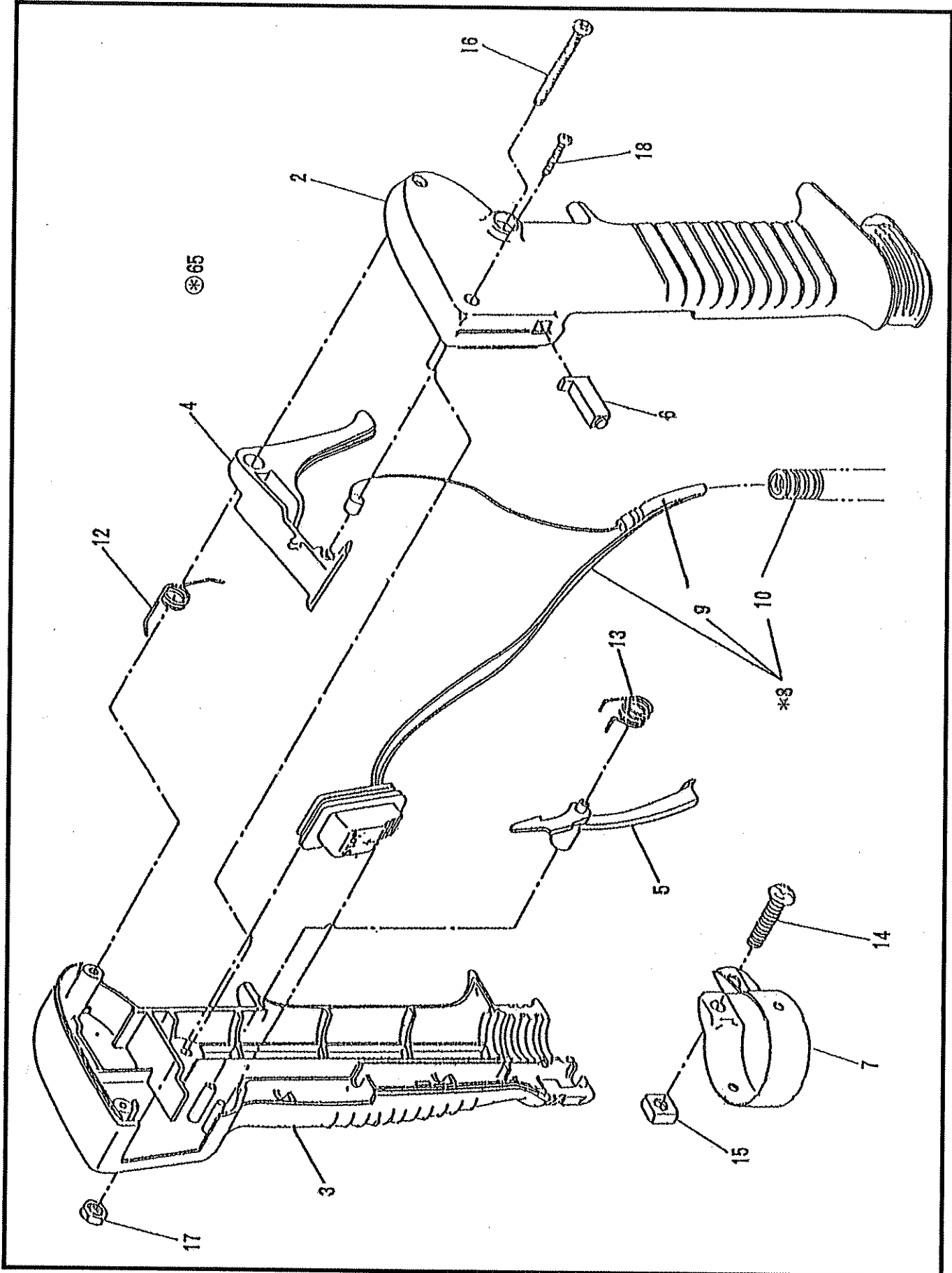
Ref. No.	Mfg.'s No.	Part Name	Our Part No.	Qty.		Ref. No.	Mfg.'s No.	Part Name	Our Part No.	Qty.	
				A	AU					A	AU
1	625 10010 00	Pipe, shaft complete (includes 2,3)	6600	1	1	62	630 45010 00	Grip	6247		1
2	625 15010 00	Snapping, outer	6603	1	1	63	641 40050 00	Holder, handle assembly (includes 73, 74)	6717		1
3	625-10070 00	Bush complete	6602	5	5	63	625 40070 01	Holder, handle assembly (includes 73, 74)	8034	1	
4	625 10030 00	Shaft assembly (includes 5, 55, 56)	6604	1	1	65	625 50450 00	Control lever assembly	6771		1
5	0600 12995 0	Ball bearing	1688	1	1	70	0630 04993 0	Control cable 1911	6921	1	1
8	625 15024 00	Case, clutch	6606	1	1	73	0119 05984 0	Socket head bolt (M5 x 25 SW)	6267	4	4
9	625 15013 00	Washer	8006	1	1	74	0119 05989 0	Socket head bolt (M5 x 25 SW)	6267	4	4
10	625 10060 00	Bush complete	6608	1	1	78	625 75002 00	Cushion	6917		1
11	625 15021 00	Cap, case	6918	1	1	80	625 40230 00	Hanger assembly 5439	5437	1	1
12	0119 05995 0	Socket head bolt (M5 x 18 SW)	1223	4	4	86	641 85002 00-1	Guard	6285	1	1
13	0119 05988 0	Socket head bolt (M5 x 25)	6268	1	1	90	621 80080 02	Protector assembly (includes 91-93)	8100	1	1
20	625 20030 00-2	Clutch (includes 26-30)	6614	1	1	91	641 85003 02	Clamp, protector	6283	1	1
26	625 25008 00	Shoe, clutch	6180	2	2	92	621 80120 01	Protector complete	8100	1	1
27	625 25006 00	Spring	3138	1	1	93	00117 0630 0	Bolt (M6 x 30)	5440	2	2
28	625 25004 00-1	Bolt, clutch	6181	2	2	95	0119 05978 0	Socket head bolt (M5 x 12 W SW)	6128	3	3
29	625 25009 00	Washer	6618	2	2	96	621 95195 01	Label, caution	3015	1	1
30	0200 08991 0	Washer	1143	2	2	97	625 95147 00	Label, caution	5434	2	2
35	625 30040	Case, gear assembly (includes 37-48, 50, 51, 53)	6705	1	1	98	625 45013 00-1	Bush	6772		1
37	0600 07999 0	Ball bearing	1161	1	1	99	621 45004 00	Grip	6721	1	
38	625 30050 00	Shaft, cutter set	6708	1	1	100	625 50180 00	Control lever (includes 103, 104)	6919	1	
39	0600 10999 0	Ball bearing	8019	1	1	101	00919 1220 0	Clip, tube	6908	1	
40	621 25003 00	Ball bearing	8021	2	2	103	004 36052 00	Screw assembly	6915	2	
41	625 35011 00	Oil seal	8022	1	1	104	541 50011 60	Nut	6923	2	
42	00314 2400 0	Snapping, inner	1187	1	1	105	615 50030 00	Guard, spark, plug	1433	1	
43	00314 3000 0	Snapping, inner	1188	1	1	106	0810 06999 0	Pipe	1430	3	
44	625 35026 00	Snapping, outer	6711	1	1	107	00312 0500 0	Washer	1429	6	
45	625 35013 00	Spacer	8024	1	1	108	0119 05981 0	Socket head bolt (M5 x 50)	6347	3	
46	641 35006 00-1	Bolt, oil (4117/1385)	3022	1	1						
47	00113 0630 0	Bolt assembly	8044	1	1			Spark Plug Guard 3153			
48	00113 0612 0	Bolt assembly	7019	1	1						
50	625 85000 01	Washer, clamp	8028	1	1						
51	625 85036 00	Washer, receive	6712	1	1		70	6922		AU	1
53	625 85050 00	Nut	7312	1	1			4111			
55	00315 1200 0	Snapping, outer	1398	1	1						
56	00314 3200 0	Snapping, inner	1189	1	1						
59	616 45004 01	Handle	6770	1							
60	641 45006 00	Handle	6246		2						
61	625 45000 00	Grip	8037	1							

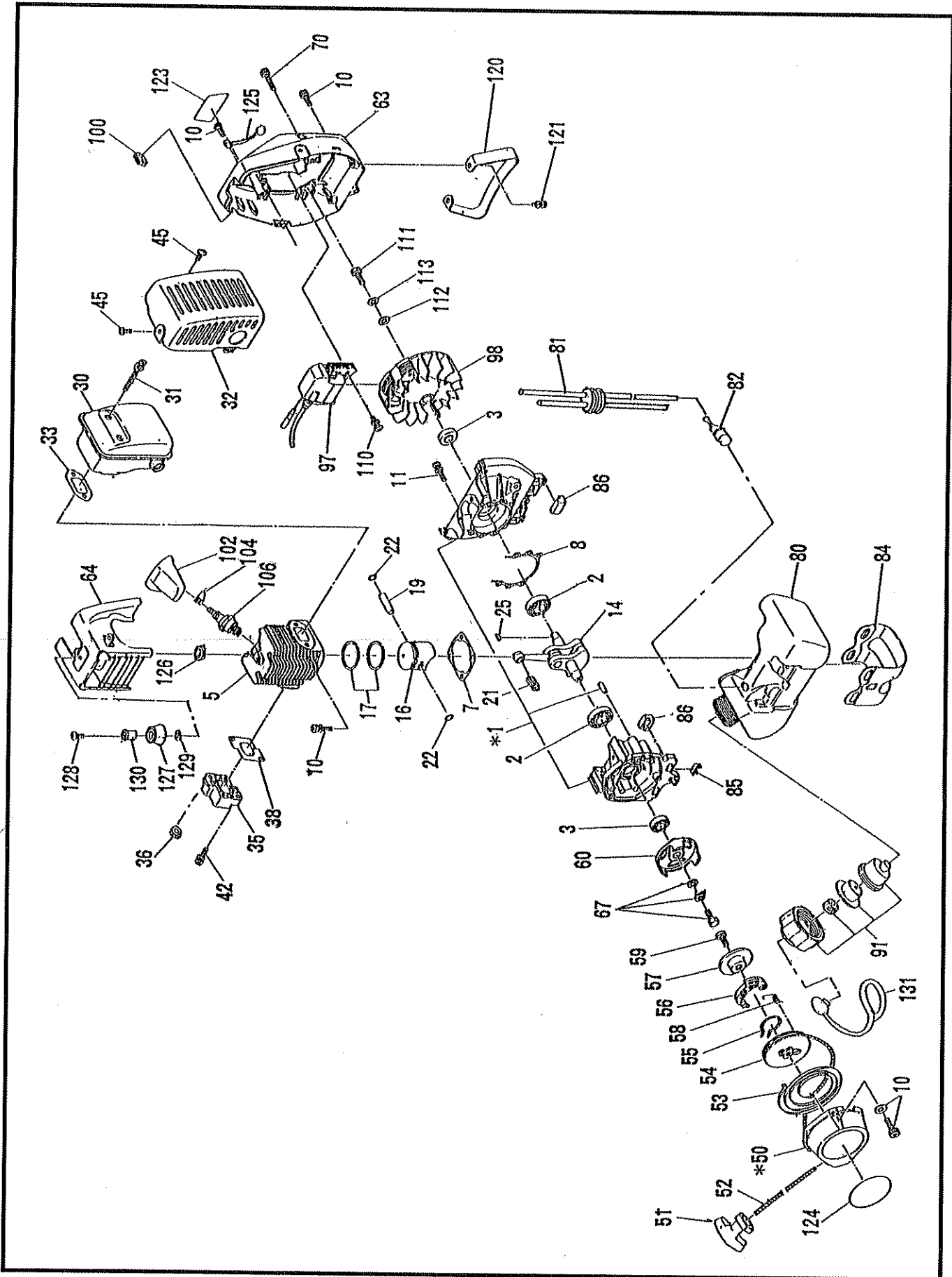
J Hall

R+

Control Lever Assembly

Model NB27

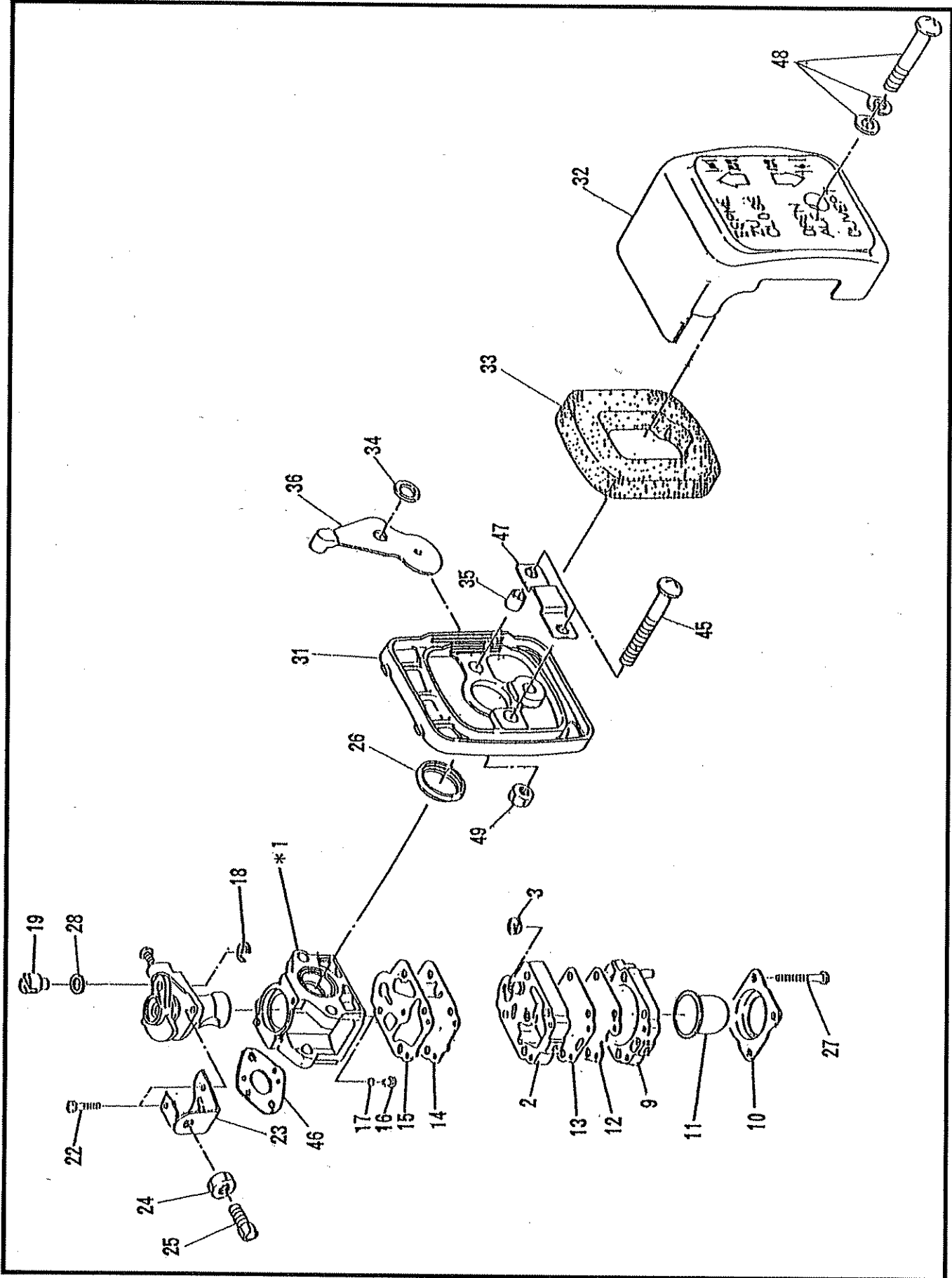




Engine Body EC02FH

Model NB27

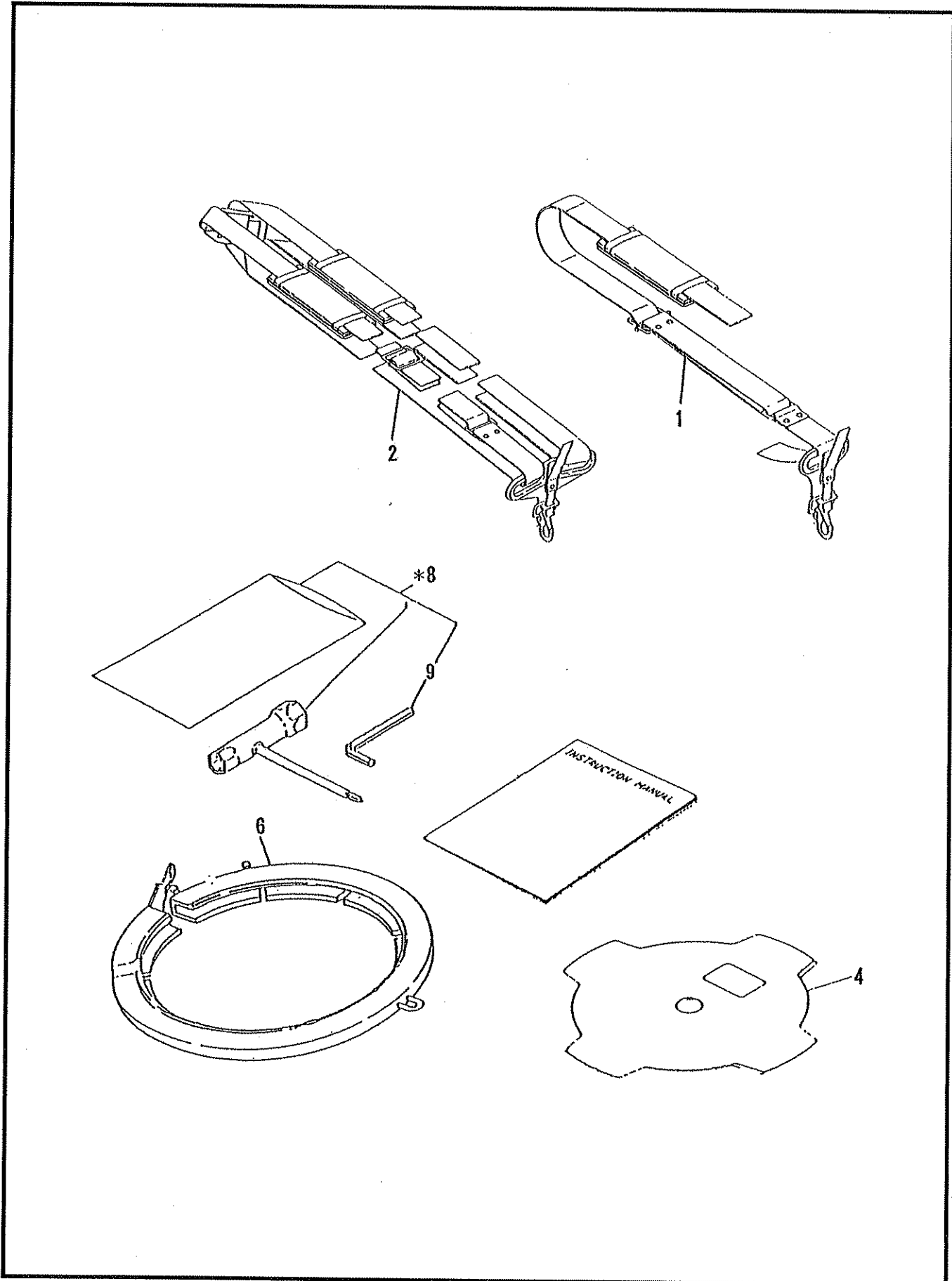
Ref. No.	Mfg.'s No.	Part Name	Our Part No.	Qty.	Ref. No.	Mfg.'s No.	Part Name	Our Part No.	Qty.
1	531 10020 00	Crankcase complete (Includes 2, 3, 8, 11)	6629	1	70	0119 05983 0	Socket head bolt (M5 x 35 SW)	8512	1
2	0600 12992 0	Ball bearing	1003	2	80	531 65021 00	Tank, fuel	6781	1
3	0440 12999 1	Oil seal	1002	2	81	0851 16997 0	Tube	6782	1
5	524 15010 00	Cylinder	6775	1	82	523 65039 00	Filter	3112 5370	1
7	531 15003 00	Gasket, cylinder	6636	1	84	531 60010 00	Strap, fuel tank unit	6914	1
8	531 15004 00	Gasket, crankcase	6631	1	85	531 65004 00	Spacer, fuel tank band	6672	4
10	0119 05995 0	Socket head bolt (M5 x 18 SW)	6193	9	86	531 65002 00	Damper	6671	4
11	0140 05979 0	Screw (M5 x 25)	6915	4	91	531 60140 00	Cap, fuel tank	9990 5468	1
14	531 20020 00	Crankshaft complete	6725	1	97	531 70090 20	Coil	6768	1
16	524 25008 00	Piston	6744	1	98	531 70090 10	Flywheel	6769	1
17	524 25007 01	Ring, piston	5328	2	100	531 75001 00	Grommet, wire	4216	1
19	524 25001 00	Pin, piston	8154	1	102	531 75002 00-1	Cap, spark plug	6667	1
21	0610 08999 0	Needle roller bearing	6730	1	104	0654 00993 1	Spring, plug cap	6169	1
22	0565 08998 0	Clip	1015	2	106	0650 14981 0	Plug, spark	BM6A	1
25	0323 03999 0	Woodruff key	6776	1	110	0119 05973 0	Socket head bolt (M5 x20 W SW)	5333	2
30	524 30010 02	Muffler, exhaust	6728	1	111	00166 0616 0	Bolt	1388	1
31	0119 05967 0	Socket head bolt (M5 x 55)	6729	2	112	0200 06992 0	Washer	7449	1
32	531 35003 00	Cover, muffler	6650	1	113	00320 0600 0	Spring washer	1294	1
33	531 35006 00	Gasket, muffler	6651	1	120	630 55005 00	Stand	6676	1
35	531 35005 00	Insulator	6777	1	121	0119 05978 0	Socket head bolt (M5 x 12 W SW)	6128	2
36	00217 0500 0	Nut	1112	2	123	625 95016 00	Label, trade mark	6673	1
38	531 35007 00	Gasket, insulator	6669	1	124	625 95236 00	Label, model	6783	1
42	0119 05963 0	Socket head bolt (M5 x 20)	5333	2	125	616 55002 00-1	Wire	6907	1
45	0140 05992 0	Screw (M5 x 8)	6677	2	126	531 55020 00	Gasket, insulator	6784	1
50	531 50010 01	Starter, rewind (Includes 51-59)	6778	1	127	531 75003 00	Protector	6785	1
51	530 50021 10	Starter knob	6779	1	128	004 34051 60	Screw	3642	1
52	524 50010 50	Starter rope	3660	1	129	00311 0500 0	Washer	6786	1
53	510 50150 40	Spiral spring	1020	1	130	0230 05999 0	Spacer	3640	1
54	502 50010 10	Reel	1601	1	131	625 50210 01	Strap unit	5444	1
55	510 50150 50	Friction spring	1024	1					
56	510 50150 20	Ratchet	1023	1					
57	550 50010 30	Friction plate	1603	1					
58	510 50150 60	Return spring	1605	1					
59	510 50151 10	Set screw (M5 x 12)	7036	1					
60	531 55004 00	Pulley, starter	6646	1					
63	524 55005 00	Housing, blower	6727	1					
64	531 50040 00	Cover, cylinder	6780	1					
67	620 20060 00	Bolt assembly	6916	1					



Carburetor & Air Cleaner EC02FH

Model NB27

Ref. No.	Mfg.'s No.	Part Name	Our Part No.	Qty.	Ref. No.	Mfg.'s No.	Part Name	Our Part No.	Qty.
1	521 60120 00	Carburetor (includes 2-3, 9-28)	6787	1					
2	523 60461 30	Body assembly pump	6788	1					
3	501 60040 10	Screen, inlet	6508	1					
9	523 60460 60	Body assembly air purge	6789	1					
10	523 60460 50	Cover, primary pump	6790	1					
11	524 60011 50	Pump primary	6504	1					
12	531 60052 50	Diaphragm assembly metaling	3171	1					
13	523 60460 40	Gasket, metaling diaphragm	6791	1					
14	524 60010 40	Diaphragm pump	6499	1					
15	524 60010 30	Gasket pump	6498	1					
16	503 60020 10	Jet	5455	1					
17	524 60010 10	O-ring	6510	1					
18	531 60051 20	Spring, ring	6511	1					
19	523 60180 40	Swivel	5418	1					
22	524 60012 40	Screw throttle collar	6514	2					
23	523 60520 20	Cable, bracket	6792	1					
24	531 60054 50	Nut cable adjust	6793	1					
25	521 60080 10	Screw cable adjust	6794	1					
26	523 60180 20	Ring packing	6507	1					
27	523 60460 10	Screw, pump cover	6795	4					
28	542 60050 30	Washer	6796	1					
31	521 35004 00-2	Case, air cleaner	6221	1					
32	521 35005 01	Case, air cleaner	9362	1					
33	521 35007 00	Element, air cleaner	6522	1					
34	0213 06999 0	Gasket	6520	1					
35	0230 05997 0	Spacer	6222	2					
36	521 35009 00-1	Lever, choke	6519	1					
45	0140 05973 0	Screw	7465	2					
46	510 35028 00	Gasket, air cleaner	6797	1					
47	501 35014 00	Plate, air cleaner	6521	1					
48	00436 0512 0	Screw assembly	6524	1					
49	00227 0500 0	Nut	1112	1					



Standard Accessories

Model NB27

Ref. No.	Mfg.'s No.	Part Name	Our Part No.	Qty.		Ref. No.	Mfg.'s No.	Part Name	Our Part No.	Qty.	
				A	AU					A	AU
1	620 70030 02	Band assembly	7113	1							
2	640 70030 03	Band assembly	1405		1						
4	649 85002 00	Disk saw	9x80Tx1	1	1						
6	641 85007 00	Cover, cutter	6230	1	1						
8	611 90060 00	Tool assembly (includes 9)	6229	1	1						
9	0717 04999 0	Wrench, socket head (M5)	7064	1	1						

Carswell Import & Marketing Associates, Inc./Carswell Distributing Company

3750 N. Liberty Street, Post Office Box 4193
WINSTON-SALEM, NORTH CAROLINA 27115-4193